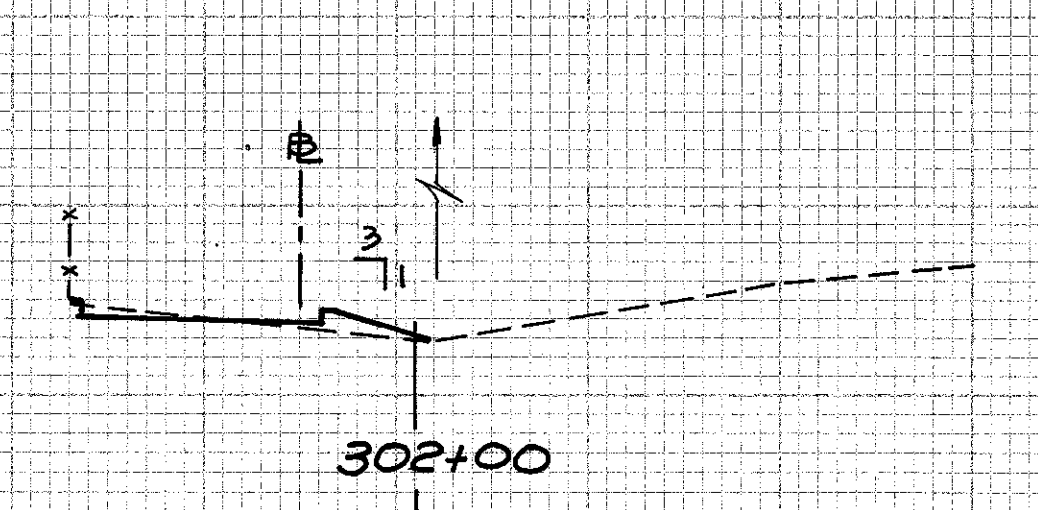
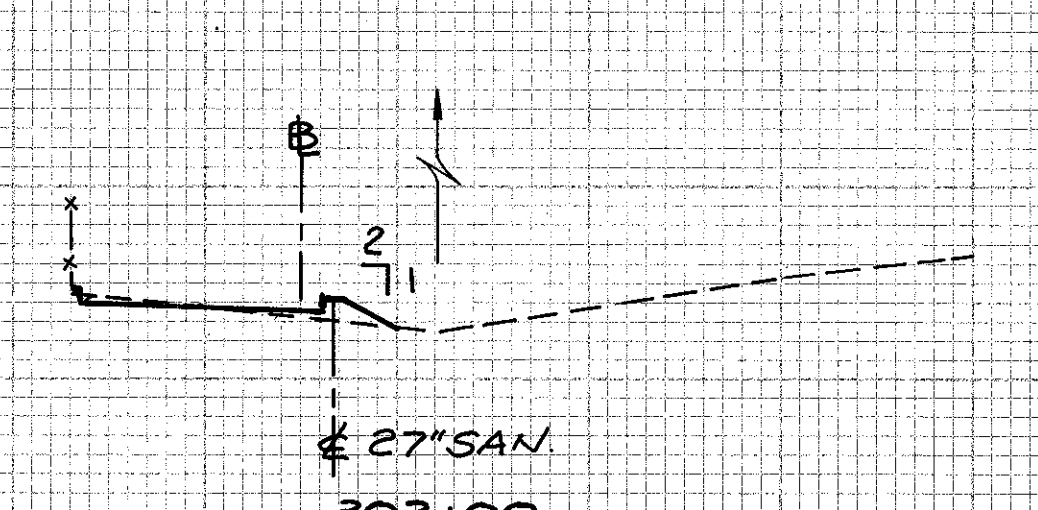
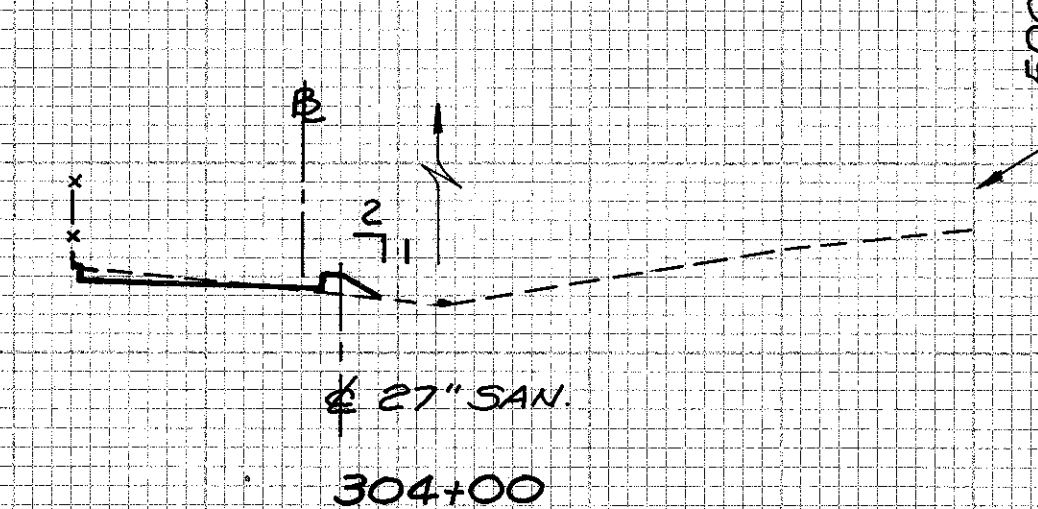
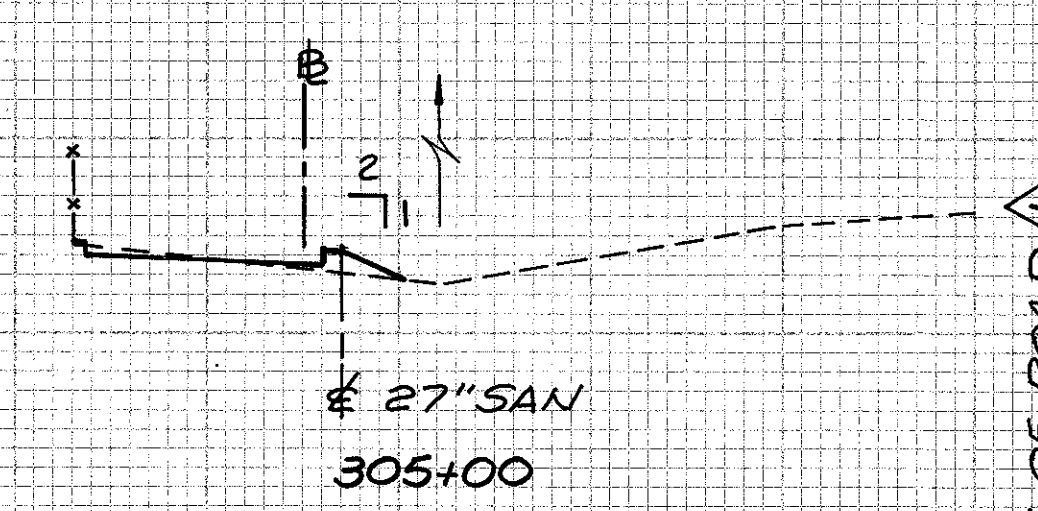
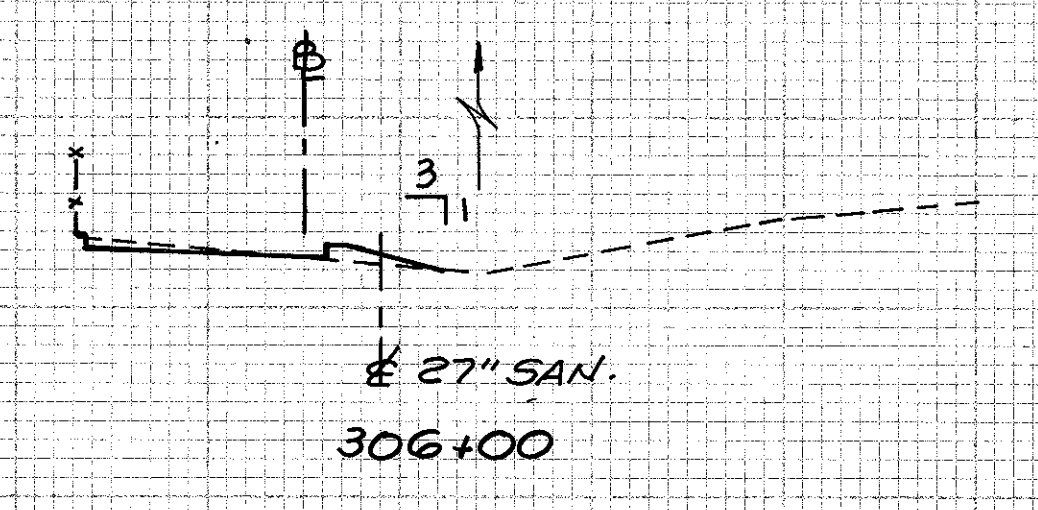
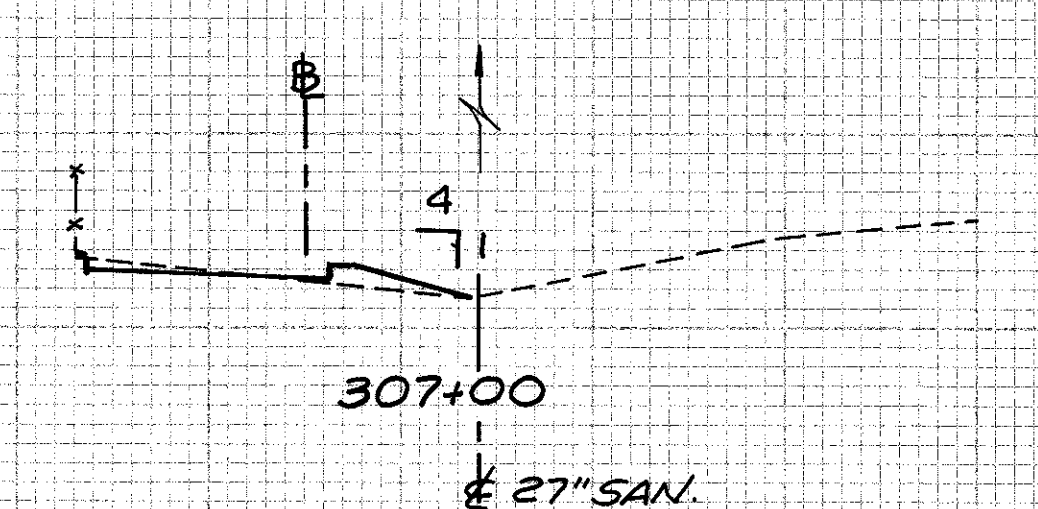
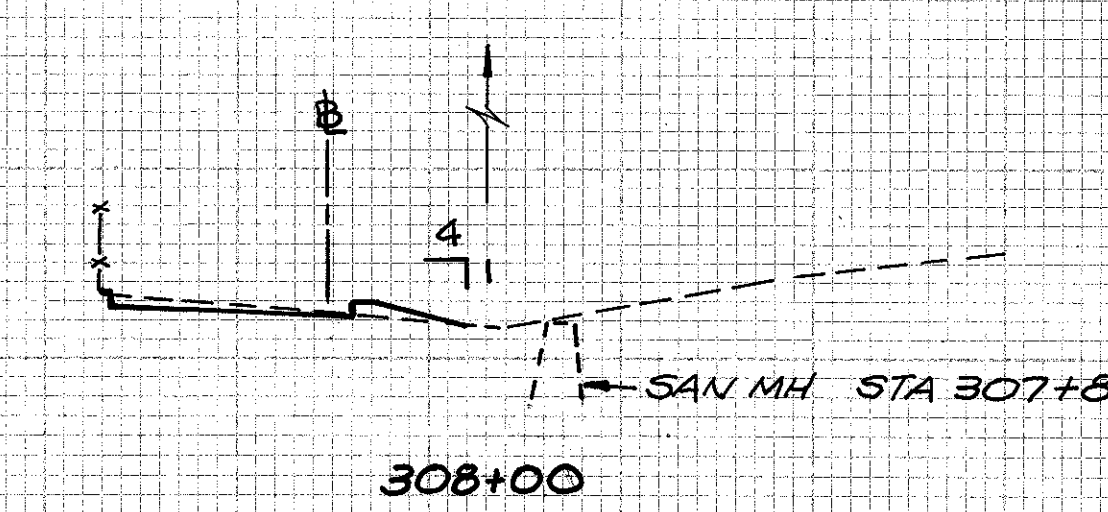
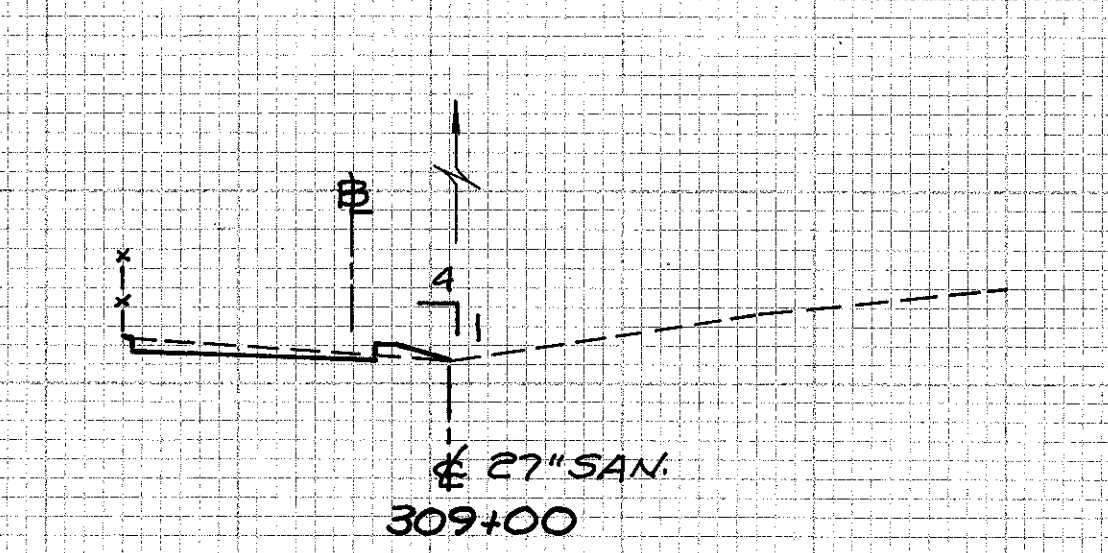
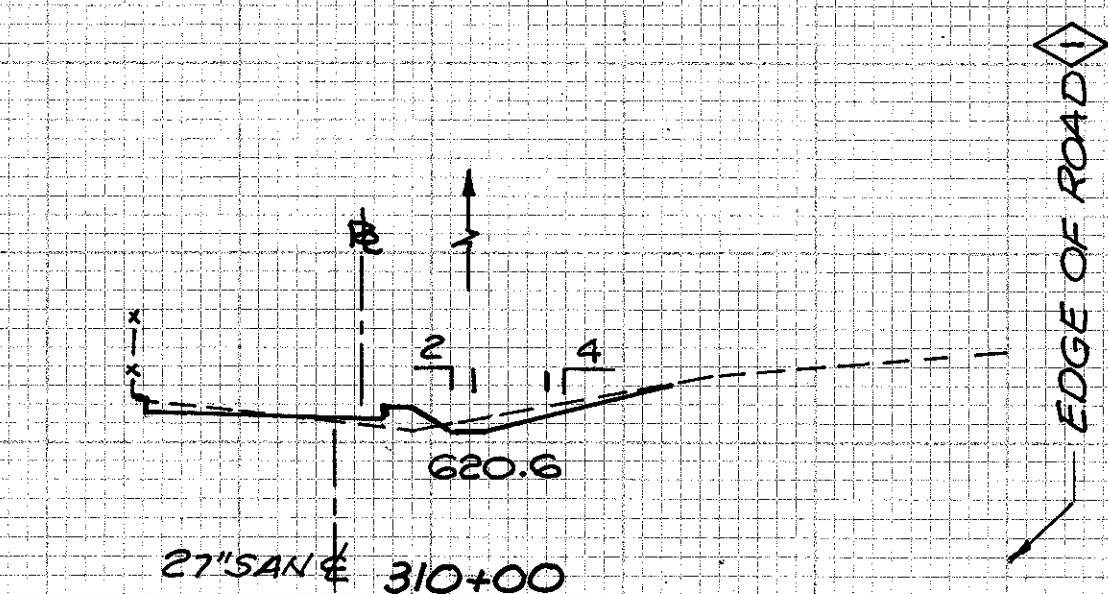
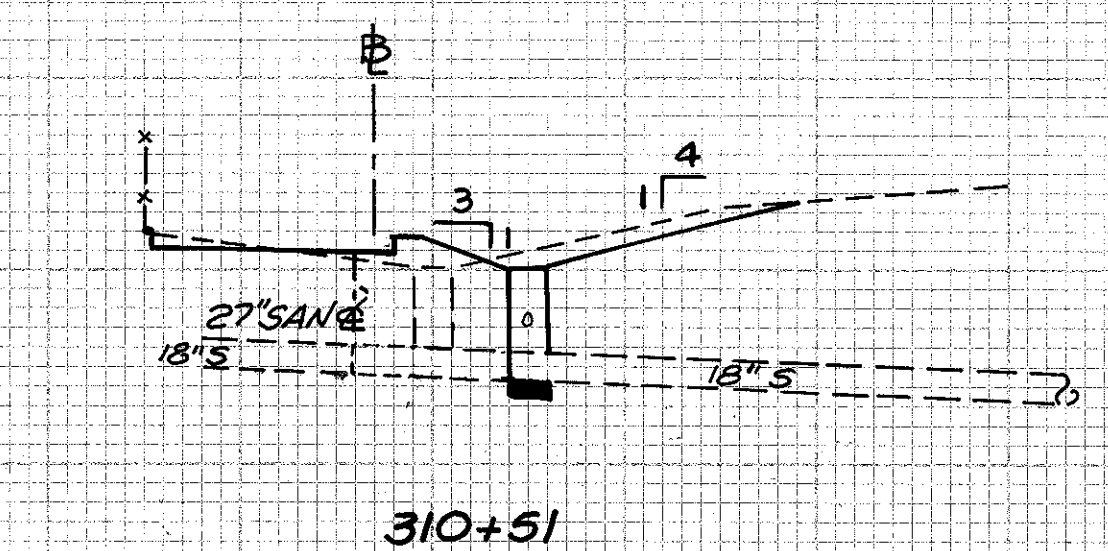


60 40 20 0



STATION	END AREA		VOLUME		SEEDING	
	CUT	FILL	CUT	FILL	END WIDTH	SO. YDS.
307+00			15	19		
306+00	4	6				
305+00			13	20		
304+00	3	5			2	
303+00			7	17		69
302+00	1	4			25	
301+00			11	15		125
300+00	5	4			19	
299+00			11	19		144
298+00	1	6			7	
297+00			7	26		89
296+00	3	8			9	

310+97
GLEN DR. 8 0



60 40 20 0

0+00 OFFSET = WEST EDGE OF PAVT SR 91 SOUTHBOUND LANE

SR 91 BIKE PATH X-SECTIONS STA. 302+00 TO STA. 310+51