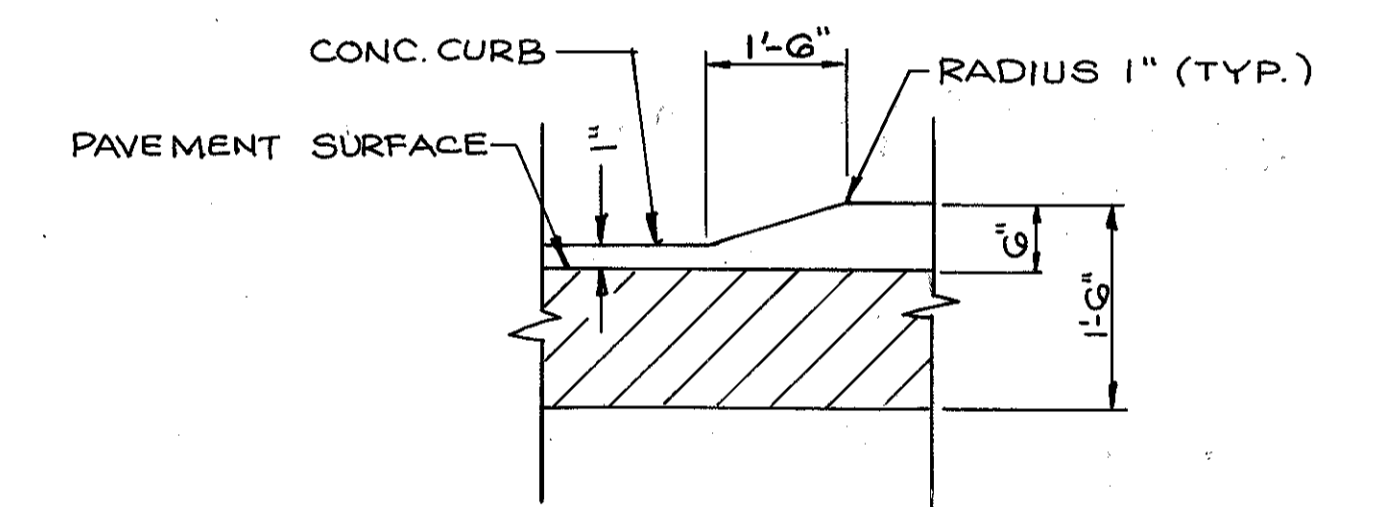
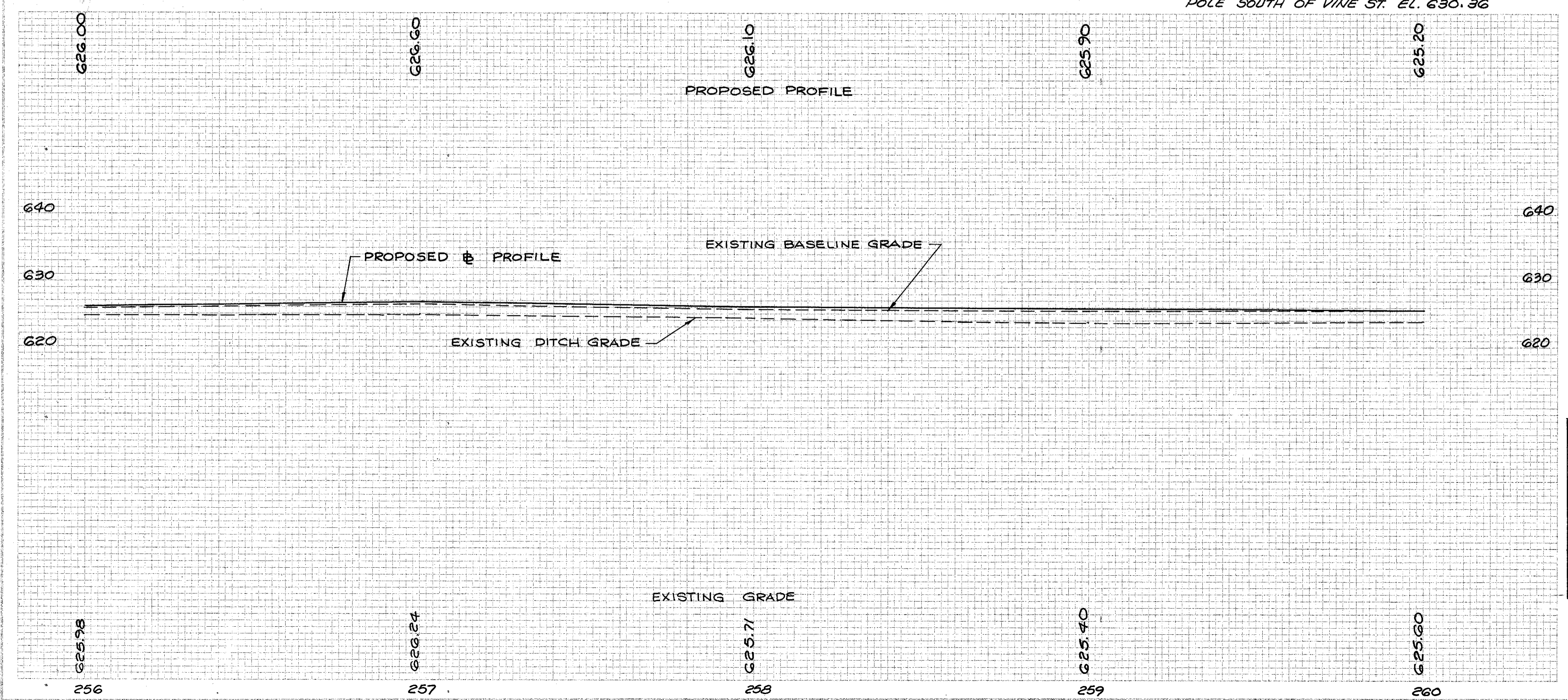


12' OFF OF EXISTING FENCE

BENCH MARK No. 3
 RR SPIKE SET LP# 691257 W/S SR.91, 5th POLE SOUTH OF VINE ST. EL. 630.36



TYPICAL DROP CURB DETAILS
 NO SCALE



REF	LOCATION	FENCE TYPE CL	ROADWAY			DRAINAGE		
			FT					
R-6	STA. 256+00 TO STA. 260+00	400						
R-7	STA. 256+80 TO STA. 257+00	20						
TOTALS		420						