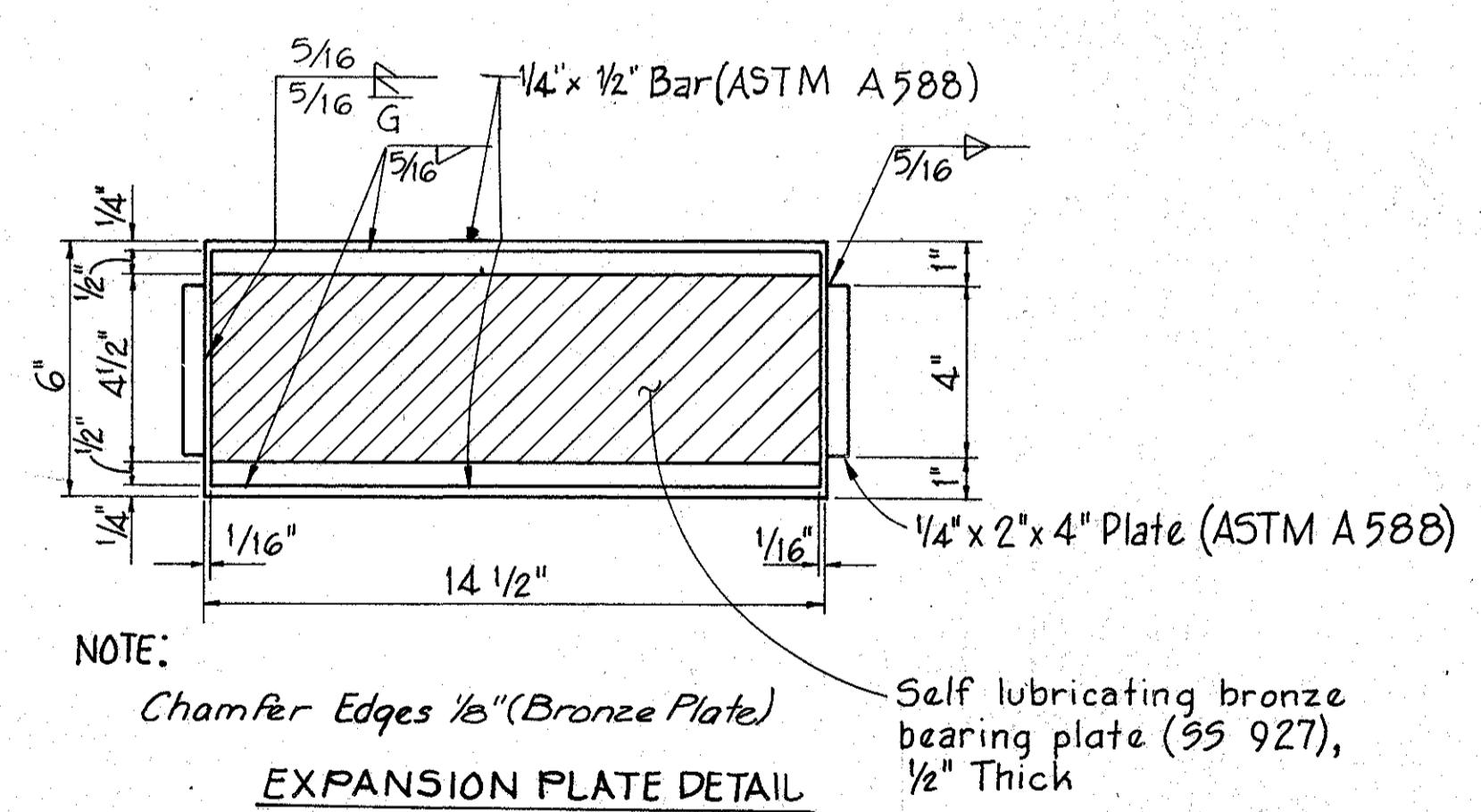
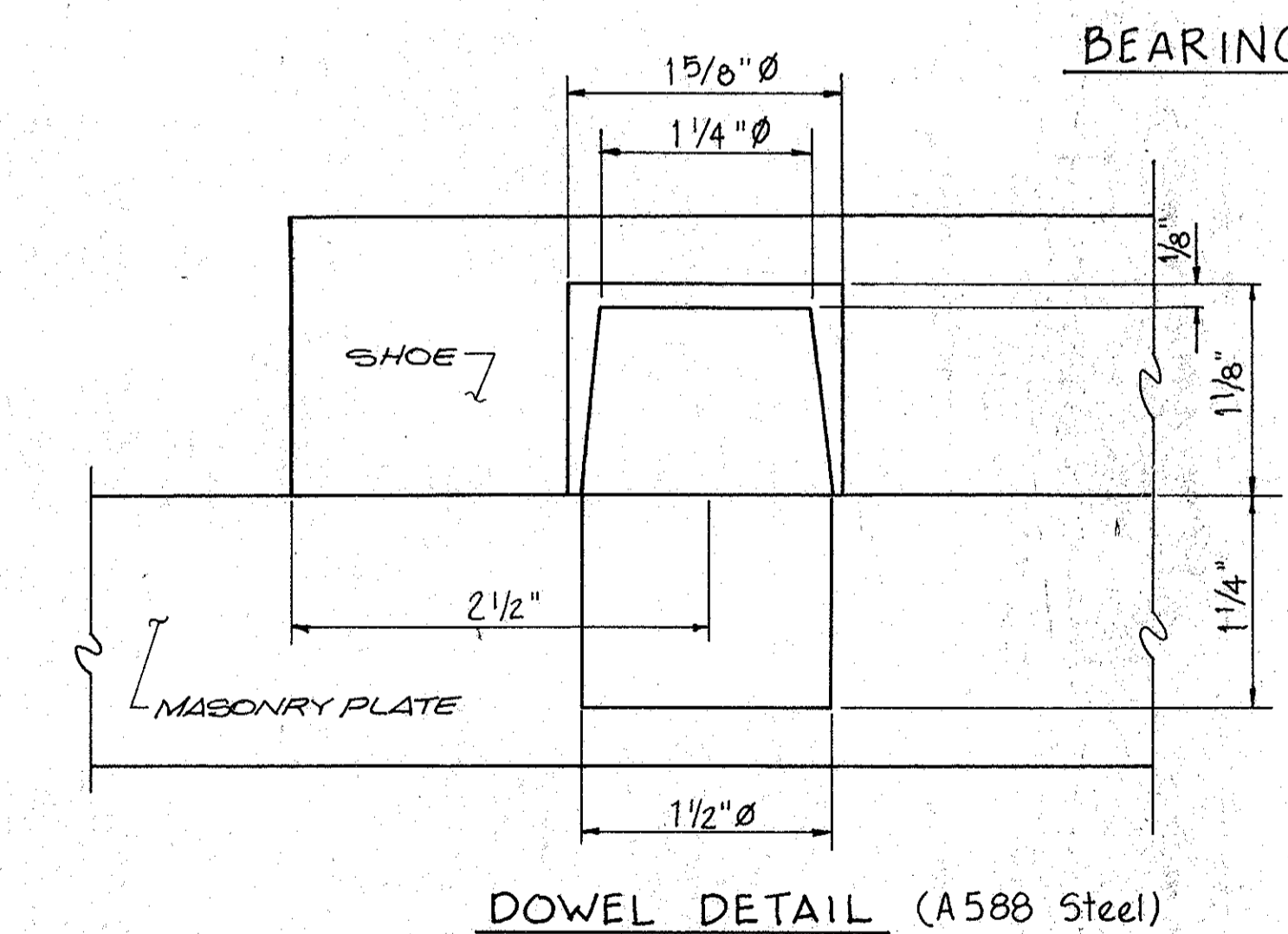
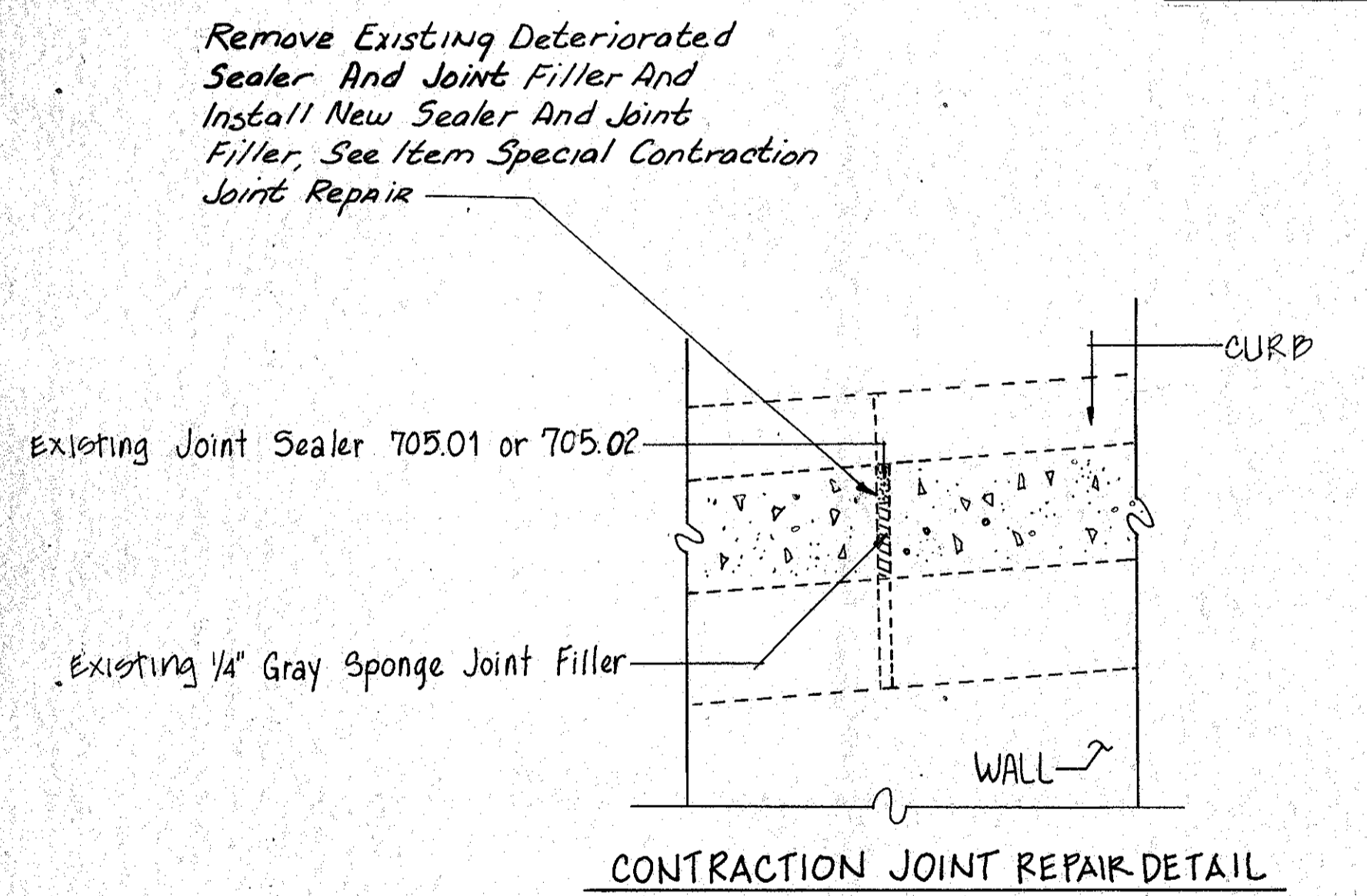


WEST ABUTMENT

EAST ABUTMENT

BEARING REPAIR DETAILS



BEARING REPAIR REQUIREMENTS

1. BEARING REPAIR SHALL BE PERFORMED PRIOR TO THE HEAT STRAIGHTENING, GIRDER REPAIR, AND CROSSFRAME REPAIR OPERATIONS SPECIFIED FOR THIS PROJECT.
 2. THE CONTRACTOR SHALL BE RESPONSIBLE FOR THE DESIGN AND INSTALLATION OF AN ADEQUATE SUPPORT AND JACKING SYSTEM CAPABLE OF RAISING THE STRUCTURE AND WILL BE RESPONSIBLE FOR PROPERLY ARRANGING ALL TEMPORARY SUPPORTS SO AS NOT TO DAMAGE OR INDUCE OVERSTRESS IN ANY EXISTING BRIDGE MEMBERS. THE STRUCTURE SHALL NOT BE RAISED MORE THAN NECESSARY.
- ANY DAMAGE TO STRUCTURAL MEMBERS, CONNECTIONS OR PARTS THAT ARE TO REMAIN AS PART OF THE PERMANENT CONSTRUCTION SHALL BE CORRECTED AND/OR REPAIRED BY THE CONTRACTOR AT HIS EXPENSE TO THE SATISFACTION OF THE ENGINEER. THE CONTRACTOR'S DETAILED PROCEDURES FOR REPAIRING THE BEARINGS SHALL BE SUBMITTED TO THE ENGINEER FOR APPROVAL. THE SUBMITTAL SHALL INCLUDE DETAILS OF THE PROPOSED TEMPORARY SUPPORT AND JACKING SYSTEM, INDICATING MATERIALS, MEMBER SIZES, SPACINGS, SUPPORT LOCATIONS, JACKING POINTS, REACTION AND REMOVAL PROCEDURES.

3. THE CONTRACTOR SHALL RAISE BOTH GIRDERS AT THE SAME TIME.
4. THE CONTRACTOR SHALL EXERCISE CAUTION DURING THE REPAIR OF THE BEARINGS SO AS TO NOT ENDANGER THE STABILITY OR INTEGRITY OF THE STRUCTURE.
5. AFTER THE REMOVAL AND REPLACEMENT OF THE INDICATED ELEMENTS, THE CONTRACTOR SHALL LOWER THE MASONRY PLATES AND THE BEAMS AND CHECK ALL BEARINGS ON A SUBSTRUCTURE UNIT TO INSURE TOTAL CONTACT OF BEARING SURFACES. IF CONTACT IS NOT MADE, PROVIDE STEEL SHIM PLATES, OF THE SAME BEARING AREA AS THE MASONRY PLATE, AS REQUIRED TO ELIMINATE ANY VERTICAL GAP BETWEEN THE BOTTOM RADIUS OF THE SOLE PLATE AND THE STEEL MASONRY PLATE. STEEL SHIM PLATES SHALL BE PLACED BETWEEN THE LEAD PLATE AND THE MASONRY PLATE.
6. LEAD PLATES SHALL BE PER ITEM 711.19.
7. STEEL SHIM PLATES SHALL BE PER ITEM 711.01.
8. PREFORMED BEARINGS PADS SHALL BE PER ITEM 711.21.

9. ALL OF THE ABOVE SHALL BE INCLUDED WITH ITEM SPECIAL - BEARING REPAIR FOR PAYMENT.

Burgess & Niple, Limited
Engineers and Architects

REPAIR DETAILS
BRIDGE NO. LAK-9I-0547
OVER S.R. 9I

DESIGNED	DRAWN	TRACED	CHECKED	REVIEWED DATE	REVISED
WAC	FRD		RBB	7-20-90	