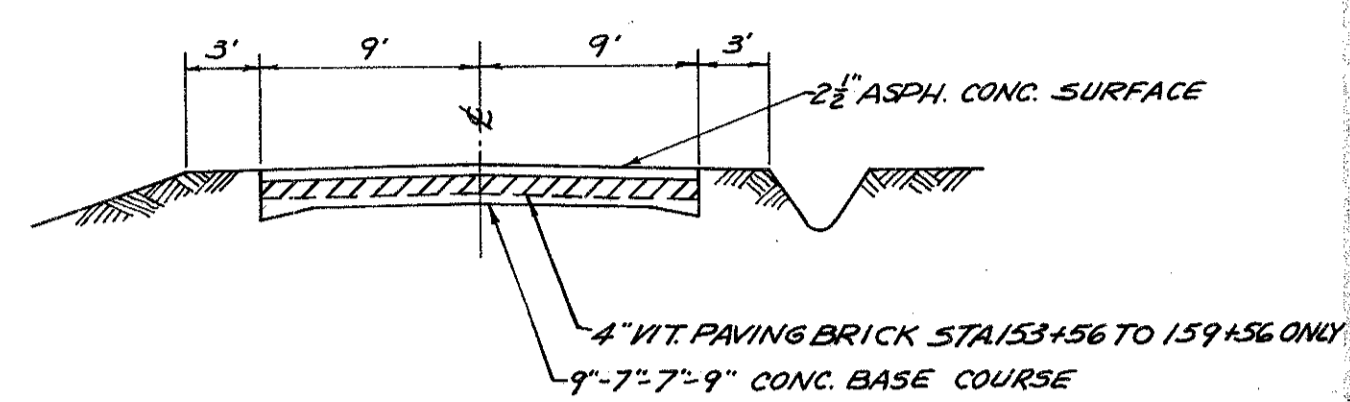


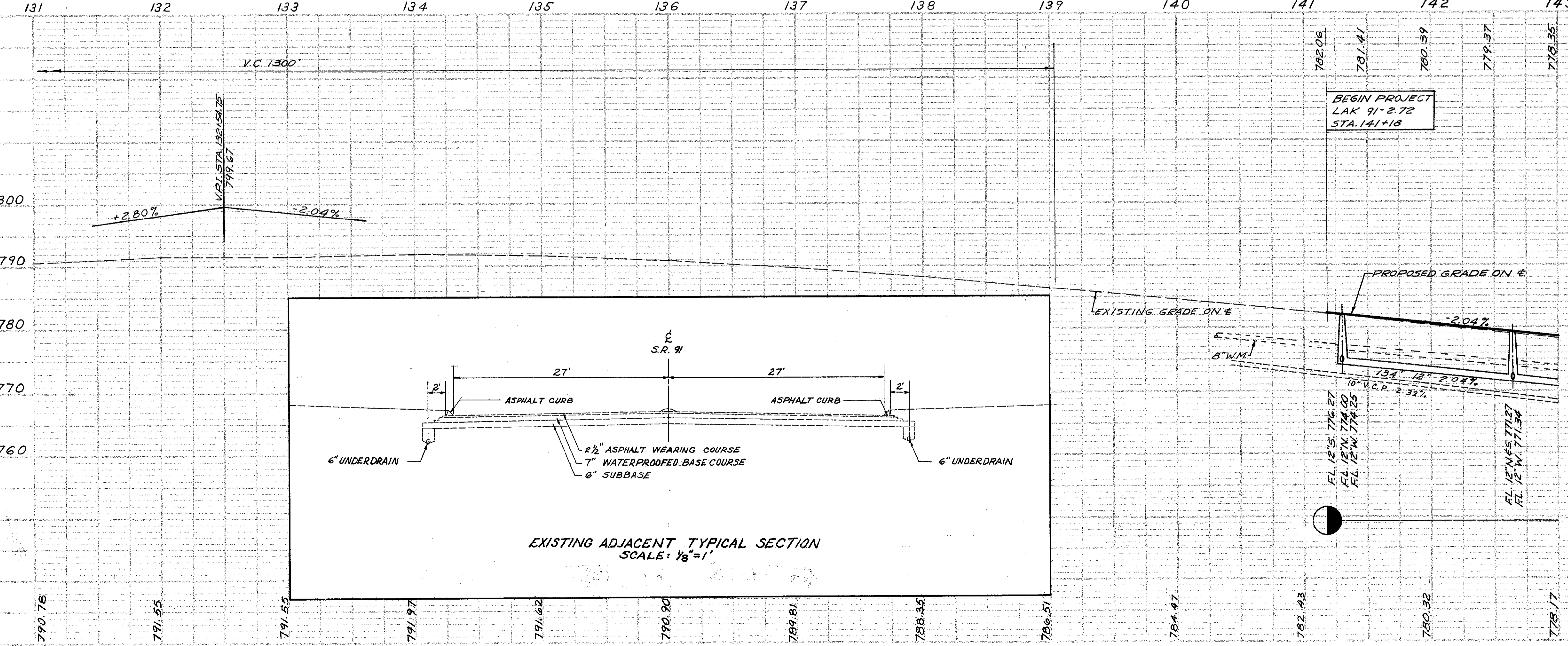
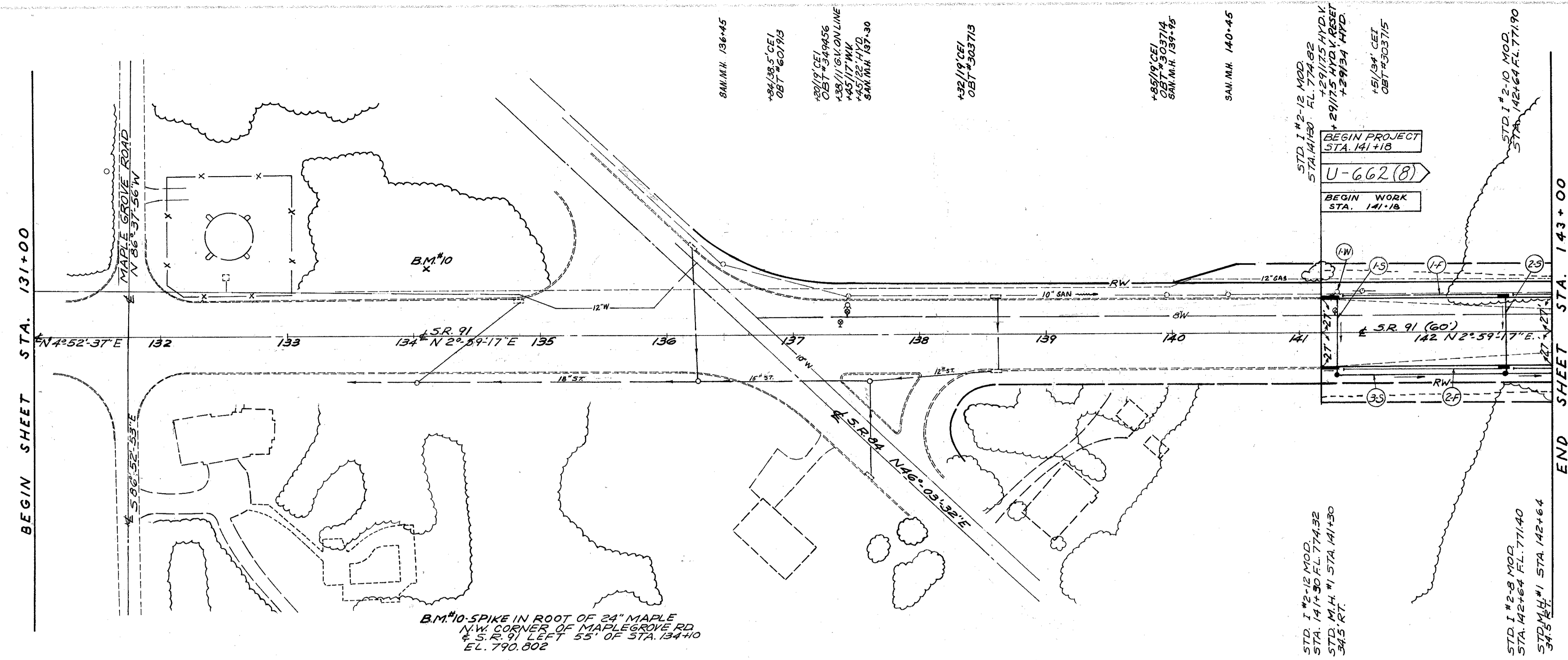
LAKE COUNTY
LAK 91-2.72



TYPICAL SECTION
EXISTING S.R. 91

SCALE: HOR. 1/4" = 1'
VERT. 1/4" = 1'

STORM SEWERS								
REF. NO.	STATION TO STATION	SIDE	I-1 LIN. FT.		I-8 EACH			
			CL. J-12"	CL. F-12"	STD. I #2-8 MOD.	STD. I #2-10 MOD.	STD. I #2-12 MOD.	STD. M.H. #1
1-5	141+30	R&L	56	7			2	
2-5	142+64	R&L	56	7	1	1		
3-5	141+30 TO 143+00	R		170				2
TOTAL			112	184	1	1	2	2



I-124 WATER MAIN			
REF. NO.	STATION TO STATION	SIDE	HYD. VA. BOX RESET TO GRADE
1-W	141+29	L	1

6" UNDERDRAINS - DEEP				
REF. NO.	STATION	SIDE	I-1 LIN. FT. CL. F-6"	CL. F-6"
1-F	141+30 TO 143+00 10' LENGTH BEFORE INLET	R	160	10
2-F	141+30 TO 143+00 10' LENGTH BEFORE INLET	L	160	10
TOTAL			320	20