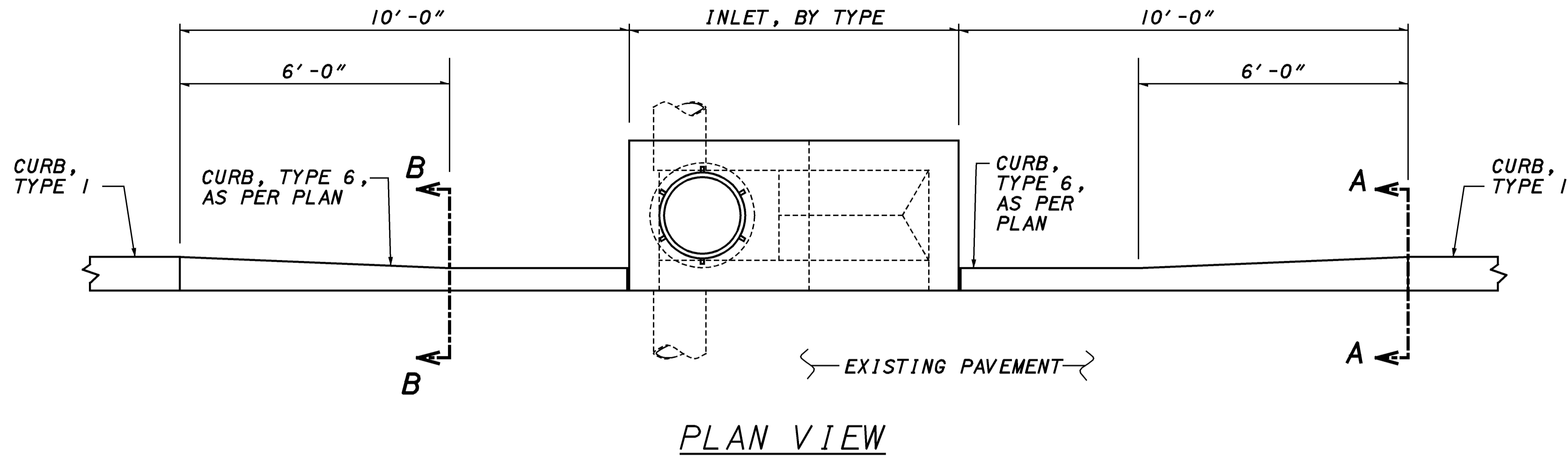


PLOT SUBMITTED: 09-OCT-1998 11:48

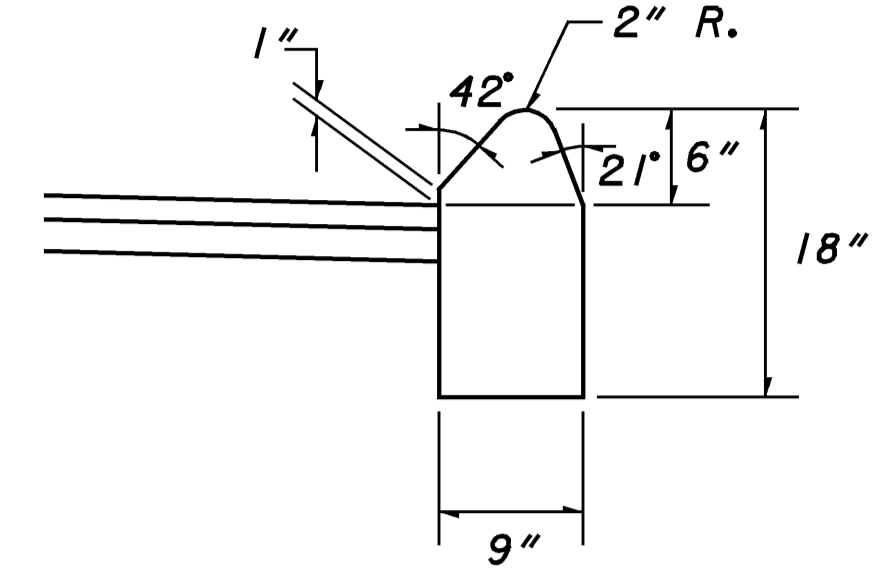
09864GAD.DGN

PLOTTED BY: fkonopka  
PLOTTED FROM: i:\users\bkruuse\pld0986-4\09864gad.dgn

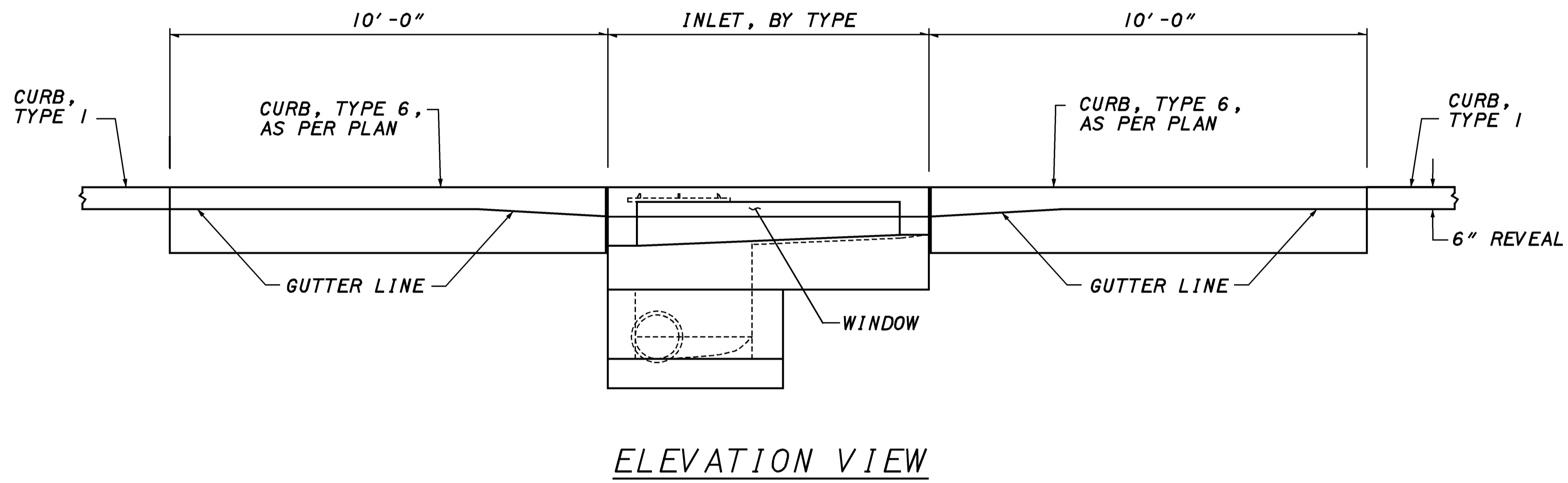
### CURB DETAIL AT INLET



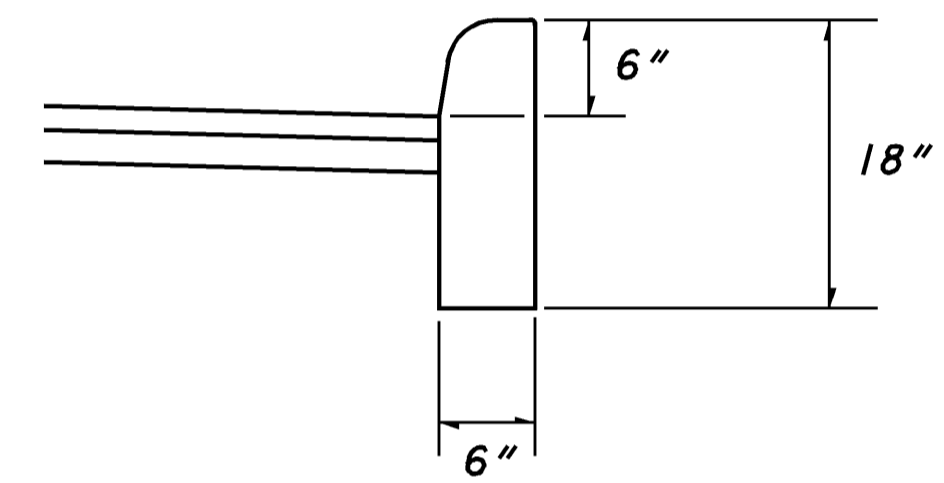
PLAN VIEW



SECTION A-A



ELEVATION VIEW



SECTION B-B

|            |     |         |     |
|------------|-----|---------|-----|
| CALCULATED | EMK | CHECKED | ENF |
|            |     |         |     |

DRAINAGE DETAILS

CUYAHOGA COUNTY  
LAKE COUNTY  
CUY/LAK-91-15.42/0.00