

PLOT SUBMITTED: 09-OCT-1998 11:46
 09864GMB.DGN
 PLOTTED BY: fkonopka
 PLOTTED FROM:

EX. SW CURVE RETURN DATA

$\Delta = 98^\circ-38'-52''$
 $Dc = 114^\circ-35'-30''$
 $R = 50'$
 $T = 58.17'$
 $L = 86.09'$
 $Ch = 75.84'$
 $E = 26.71'$

EX. NW CURVE RETURN DATA

$\Delta = 80^\circ-12'-38''$
 $Dc = 114^\circ-35'-30''$
 $R = 50'$
 $T = 42.11'$
 $L = 70.00'$
 $Ch = 64.42'$
 $E = 15.37'$

EX. NW CURVE RETURN DATA

$\Delta = 58^\circ-41'-00''$
 $Dc = 57^\circ-17'-45''$
 $R = 100'$
 $T = 56.21'$
 $L = 102.42'$
 $Ch = 98.00'$
 $E = 14.72'$

EX. SW CURVE RETURN DATA

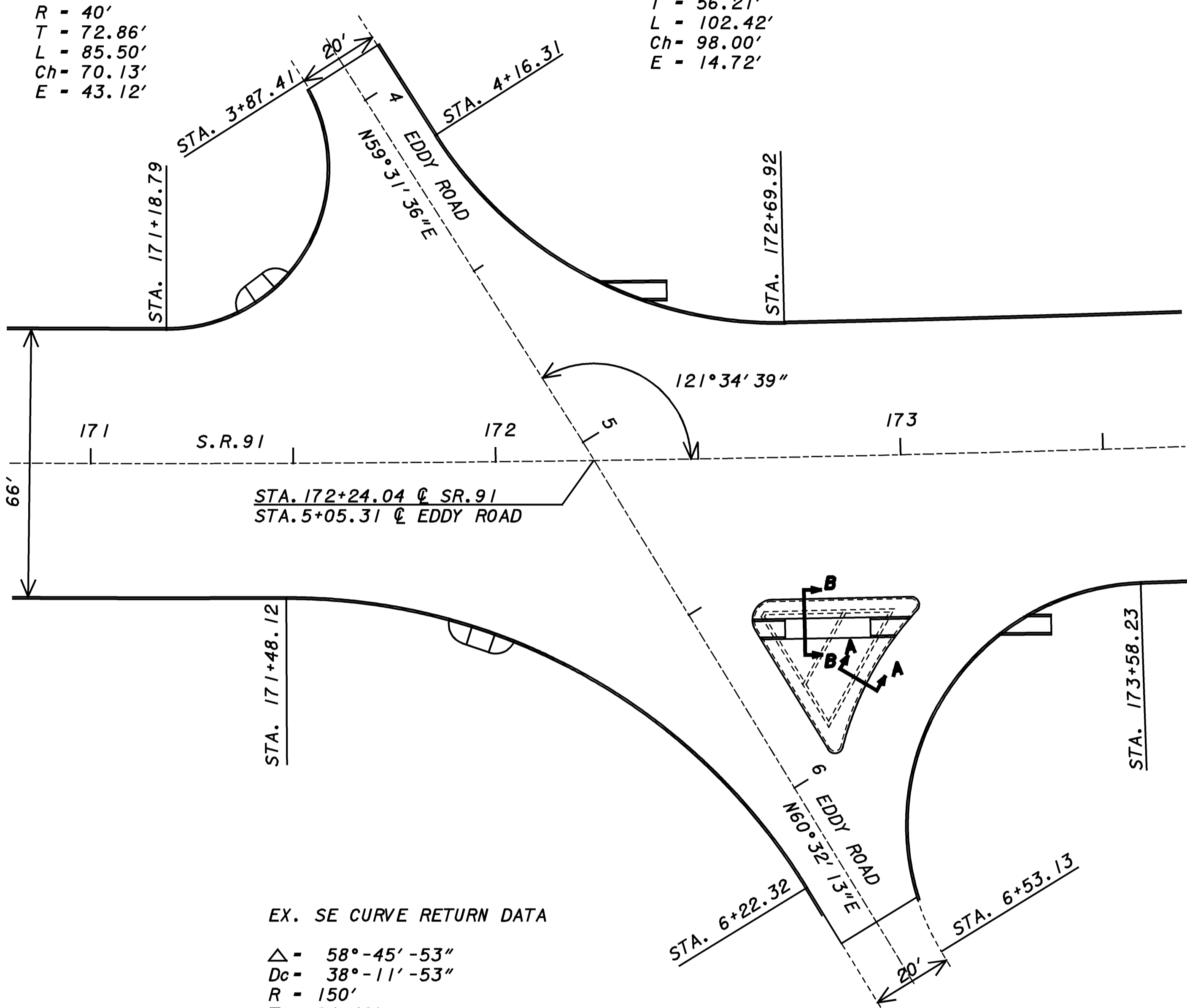
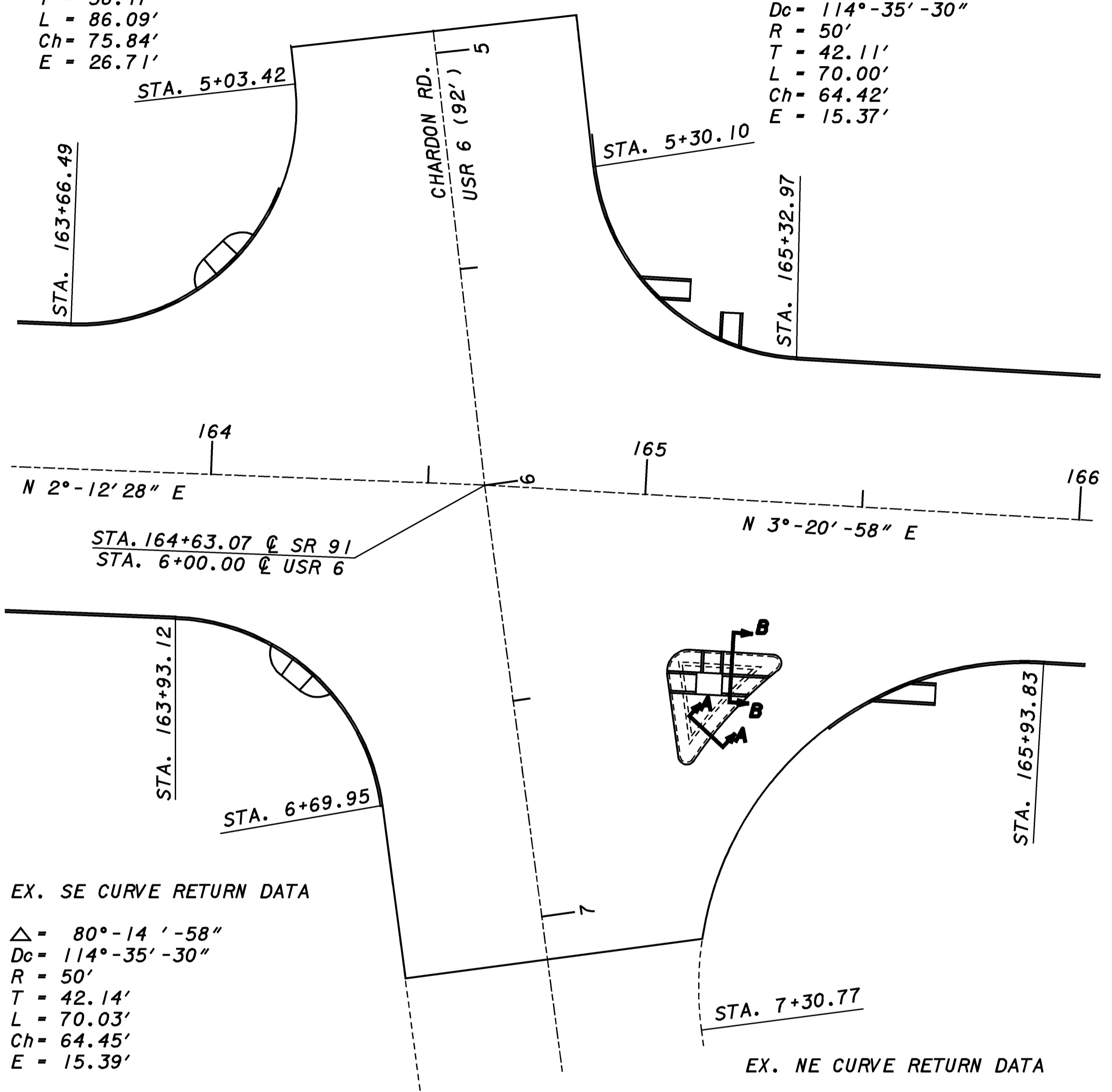
$\Delta = 122^\circ-27'-54''$
 $Dc = 143^\circ-14'-22''$
 $R = 40'$
 $T = 72.86'$
 $L = 85.50'$
 $Ch = 70.13'$
 $E = 43.12'$

EX. SE CURVE RETURN DATA

$\Delta = 58^\circ-45'-53''$
 $Dc = 38^\circ-11'-53''$
 $R = 150'$
 $T = 84.46'$
 $L = 153.85'$
 $Ch = 147.19'$
 $E = 22.14'$

EX. NE CURVE RETURN DATA

$\Delta = 119^\circ-39'-34''$
 $Dc = 95^\circ-29'-35''$
 $R = 60'$
 $T = 103.21'$
 $L = 125.31'$
 $Ch = 103.74'$
 $E = 59.39'$



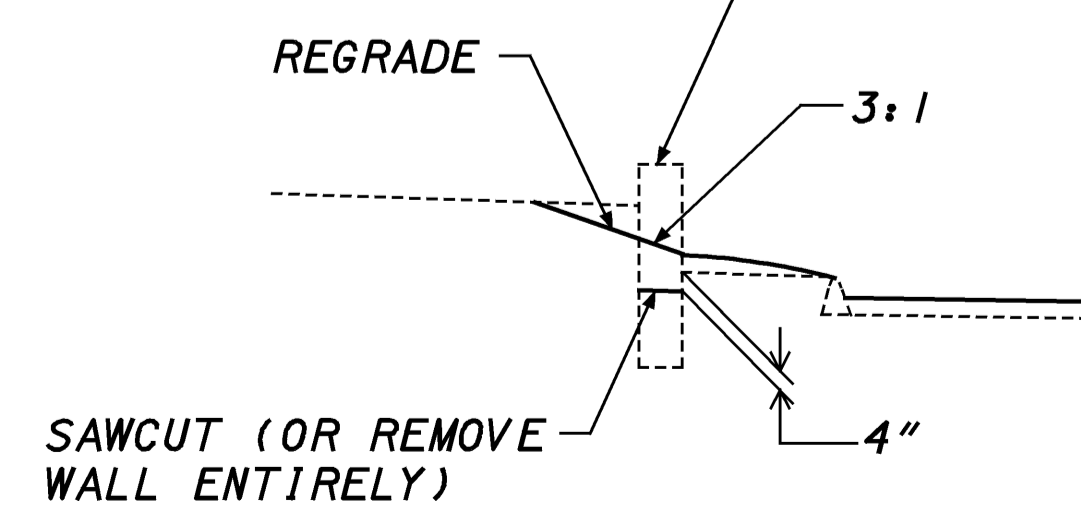
EX. SE CURVE RETURN DATA

$\Delta = 80^\circ-14'-58''$
 $Dc = 114^\circ-35'-30''$
 $R = 50'$
 $T = 42.14'$
 $L = 70.03'$
 $Ch = 64.45'$
 $E = 15.39'$

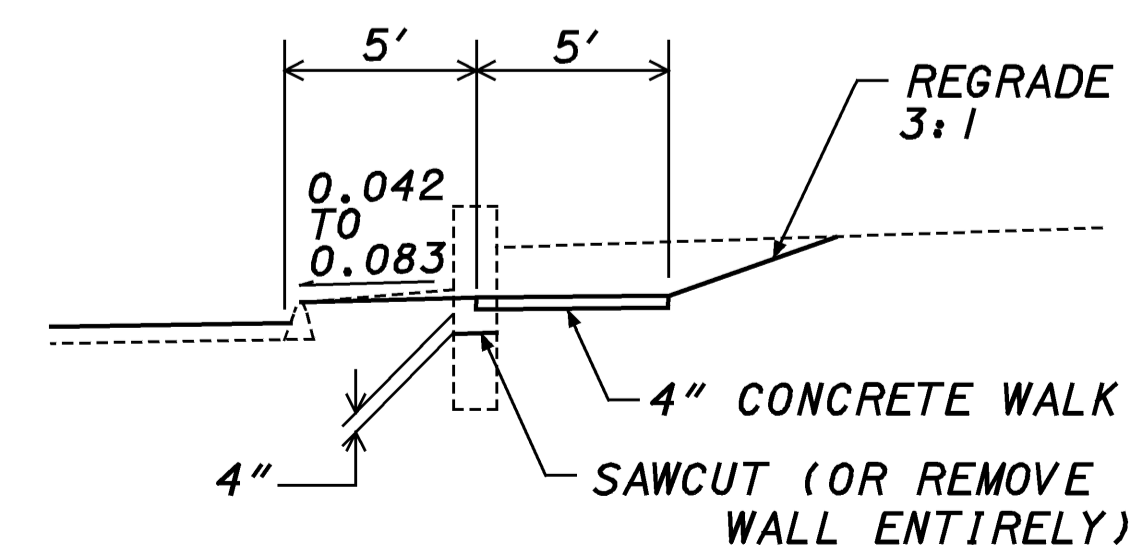
EX. NE CURVE RETURN DATA

$\Delta = 100^\circ-53'-32''$
 $Dc = 76^\circ-23'-40''$
 $R = 75'$
 $T = 90.81'$
 $L = 132.07'$
 $Ch = 115.65'$
 $E = 42.78'$

ITEM 202 - REMOVAL MISC.:
 REMOVAL OF CONCRETE FLOWER
 PLANTER



SECTION A-A



SECTION B-B

INTERSECTION DETAIL SHEET
 S.R.-91 AND U.S.R. 6 &
 S.R.-91 AND EDDY RD.
 CUYAHOGA COUNTY
 LAKE COUNTY
 CUY/LAK-91-15.42/0.00
 SCALE IN FEET
 0 20 40
 CALCULATED
 EMK
 CHECKED
 ENF
 80
 104