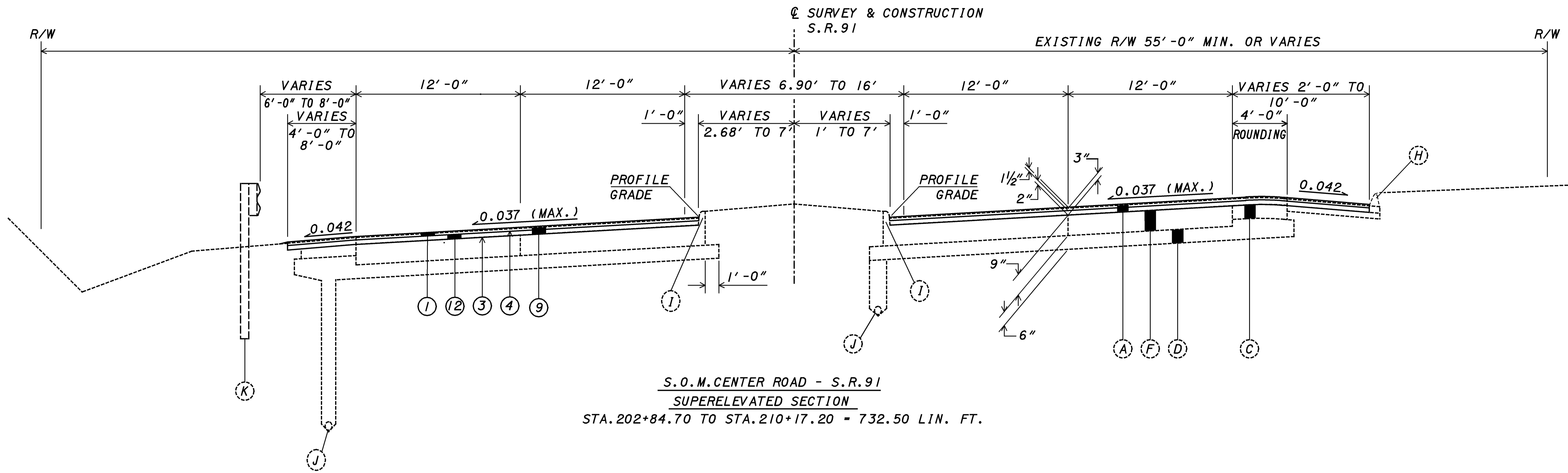


PLOT SUBMITTED: 09-OCT-1998 08:18

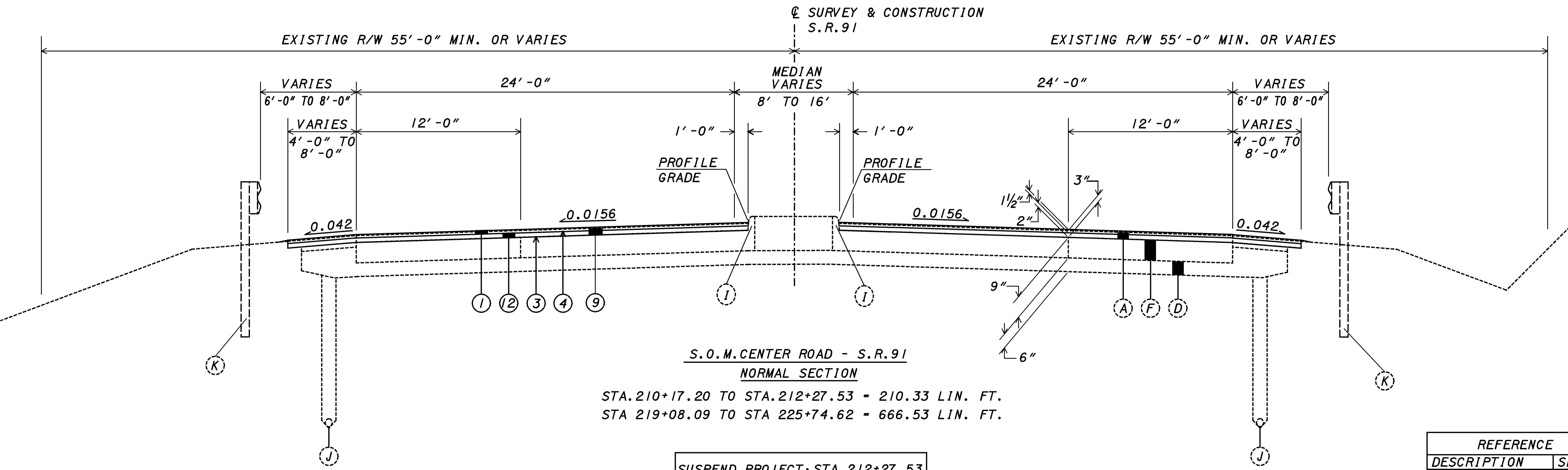
09864gqe.dgn

09864gqe.dgn

PLOTTED BY: fkonopka
 PLOTTED FROM: \\users\bkruse\p\d\09864\09864gqe.dgn



S.O.M. CENTER ROAD - S.R. 91
SUPERELEVATED SECTION
 STA. 202+84.70 TO STA. 210+17.20 = 732.50 LIN. FT.

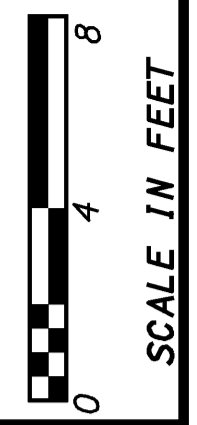


S.O.M. CENTER ROAD - S.R. 91
NORMAL SECTION
 STA. 210+17.20 TO STA. 212+27.53 = 210.33 LIN. FT.
 STA. 219+08.09 TO STA. 225+74.62 = 666.53 LIN. FT.

SUSPEND PROJECT: STA. 212+27.53

RESUME PROJECT: STA. 219+08.09

REFERENCE	
DESCRIPTION	SHEET
LEGEND	3
CURB DETAIL	3



CALCULATED BJK CHECKED DRL

TYPICAL SECTIONS
 SR-91
 STA. 202+84.70 TO STA. 225+74.62

CUYAHOGA COUNTY
 LAKE COUNTY
 CUY/LAK-91-15.42/0.00