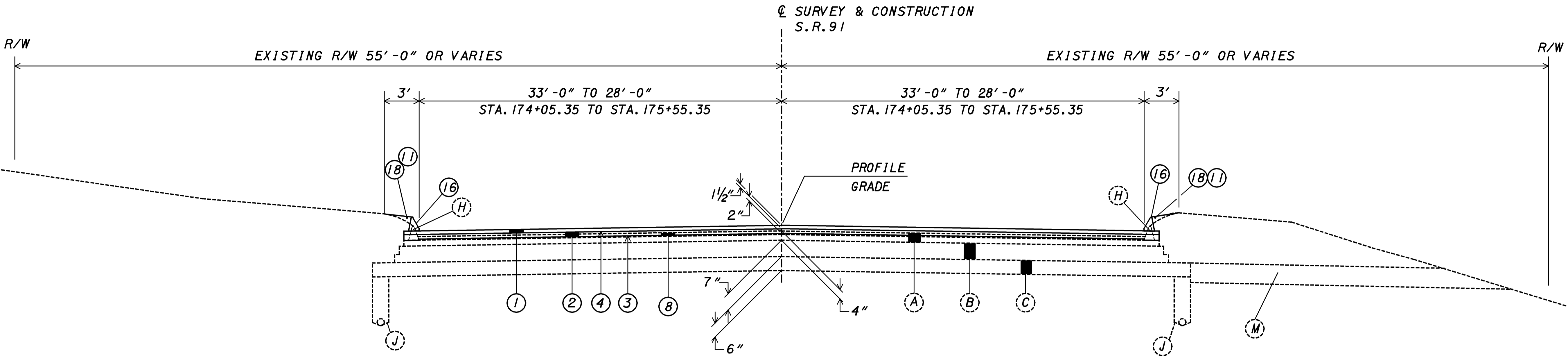


PLOT SUBMITTED: 09-OCT-1998 08:16

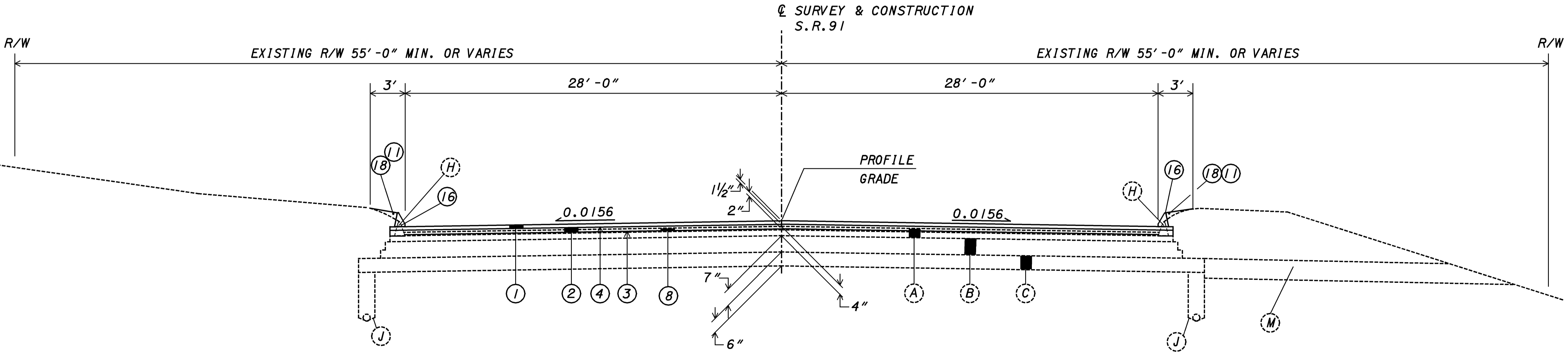
09864guc.dgn

09864guc.dgn

PLOTTED BY: fkonopka
 PLOTTED FROM: \\users\bkruse\p\d\09864\09864guc.dgn

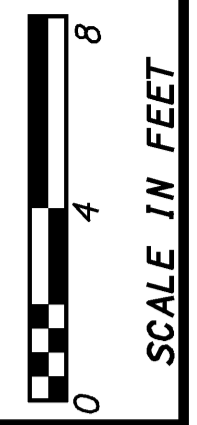


S.O.M. CENTER ROAD - S.R. 91
NORMAL SECTION
 STA. 174+05.35 TO STA. 175+55.35 - 150.00 LIN. FT.



S.O.M. CENTER ROAD - S.R. 91
NORMAL SECTION
 STA. 175+55.35 TO STA. 180+24.66 BK - 469.31 LIN. FT.
 STA. 180+24.70 FWD TO STA. 194+40.84 - 1416.14 LIN. FT.

REFERENCE	
DESCRIPTION	SHEET
LEGEND	3
CURB DETAIL	3



CALCULATED
 BJK
 CHECKED
 DRL

TYPICAL SECTIONS
 S.R. 91
 STA. 174+05.35 TO STA. 194+40.84

CUYAHOGA COUNTY
 LAKE COUNTY
 CUY/LAK-91-15.42/0.00