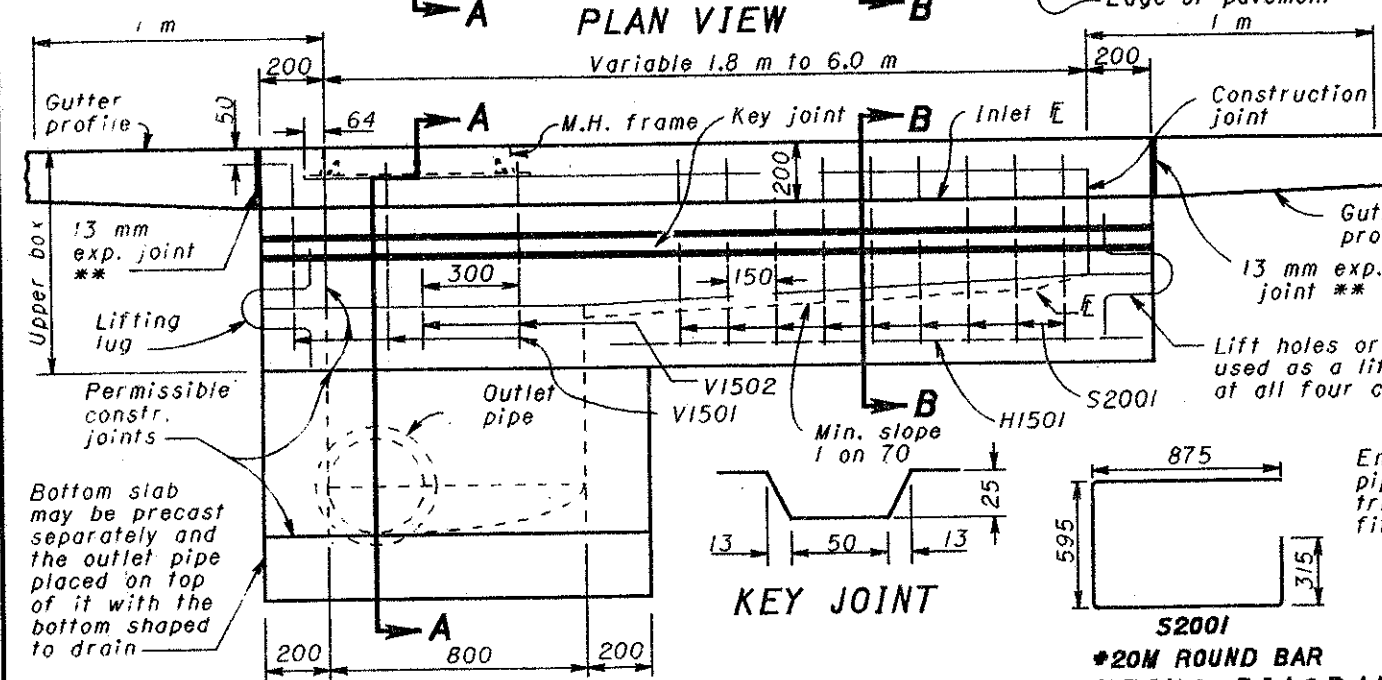
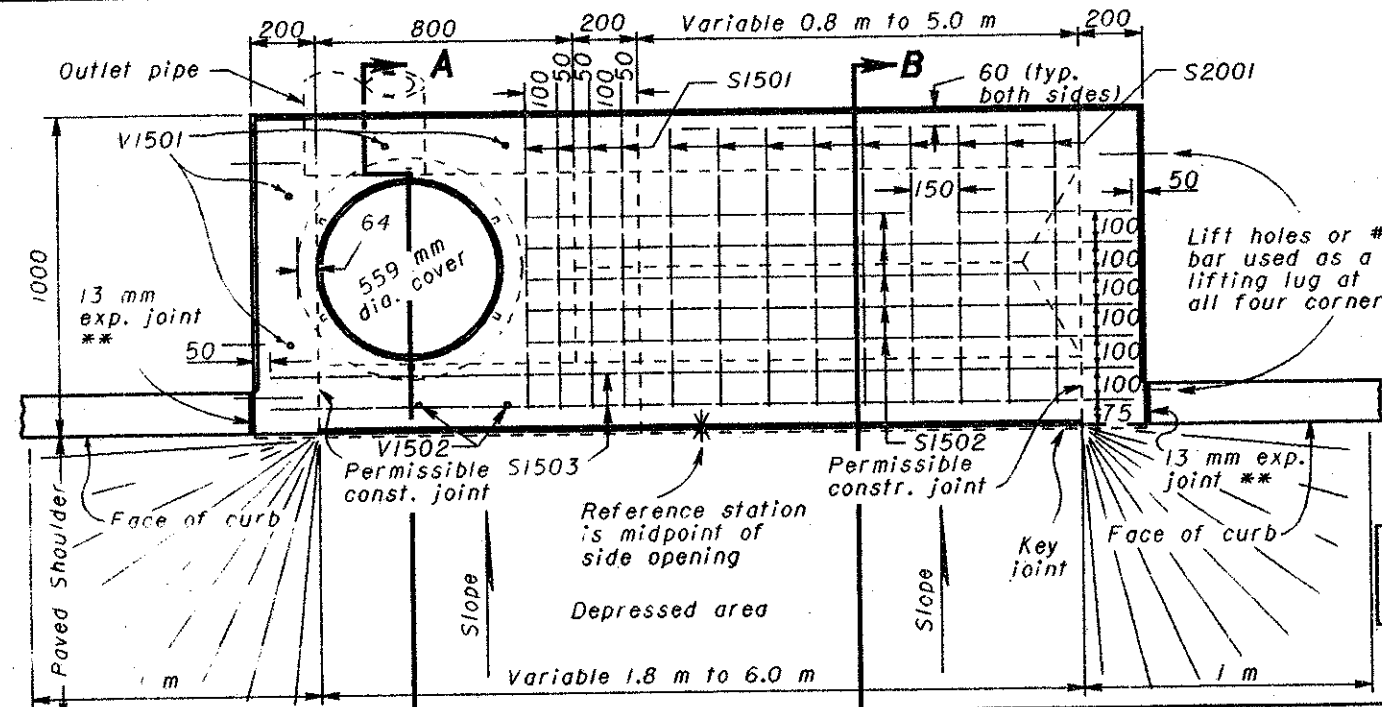
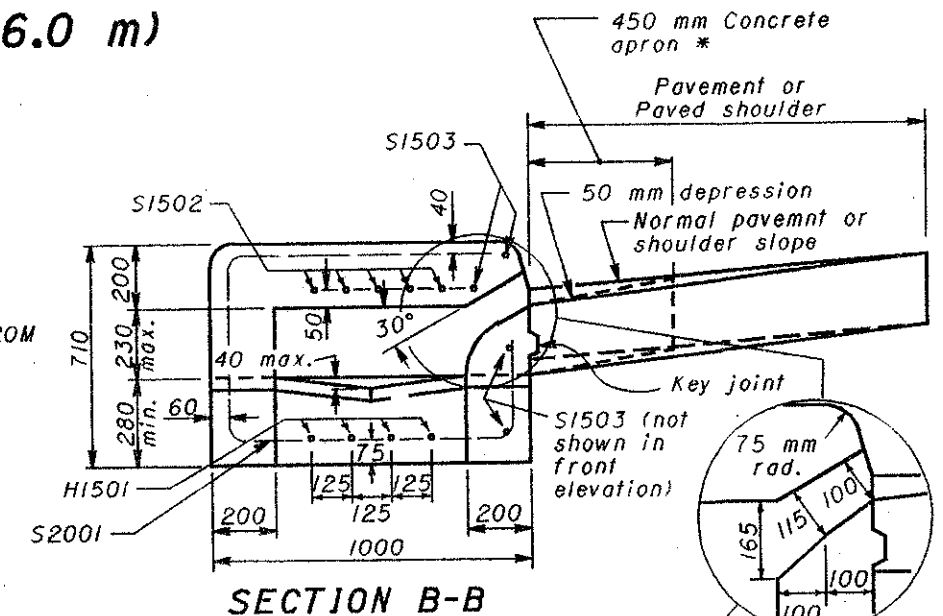


PAVEMENT INLETS (1.8 m to 6.0 m)

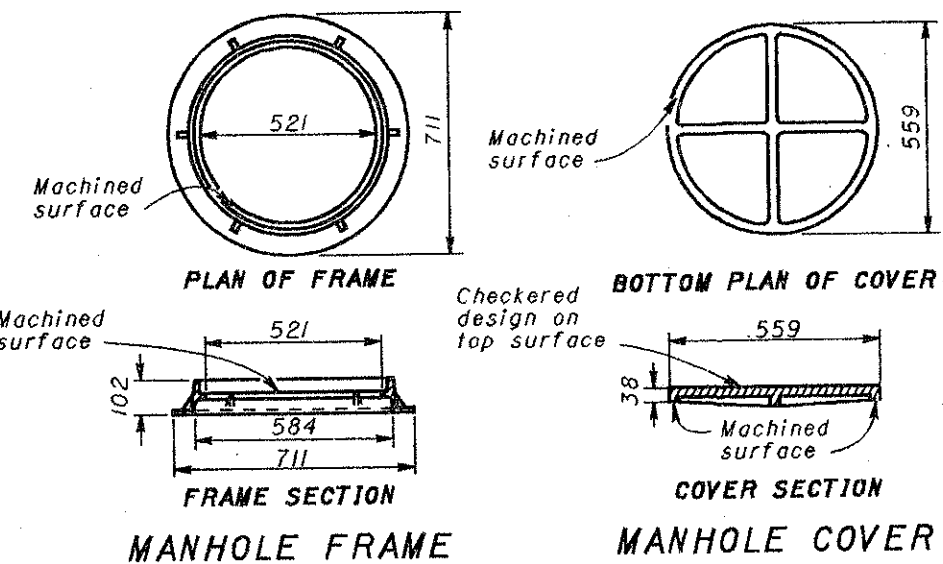
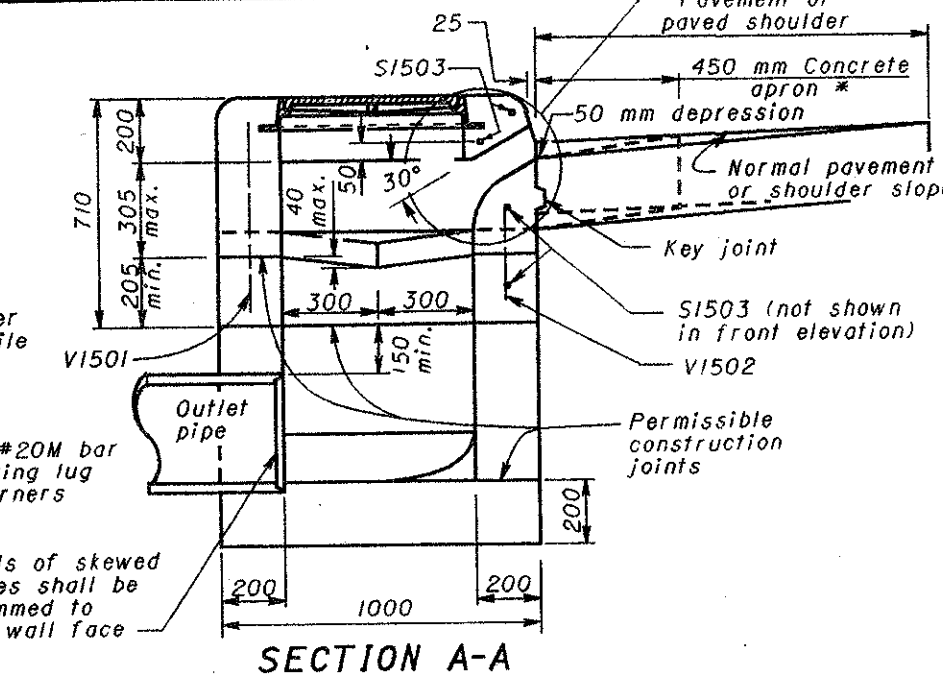
** A 25 mm minimum expansion joint shall be provided in concrete pavement or concrete shoulders.



***20M ROUND BAR BENDING DIAGRAM**



* When the inlet is placed at the edge of pavement, a concrete apron, as shown on Std. Constr. Dwg. I-1.1M, shall be provided in lieu of the depressed shoulder shown hereon.



NOTES

CASTINGS: The design shall be essentially the same and equally as strong as those shown hereon. Bearing areas of frame and cover shall be so fitted and finished as to provide a firm and even seat for the entire cover in the frame. No projections shall exist on bearing areas of either casting and the cover shall seat in its frame without rocking.

Minimum mass of frame and cover: 88 kg.

SUMP WALLS: Walls between the upper box and bottom slab may be brick, concrete block, cast-in-place or precast concrete construction. Precast walls may have a minimum thickness of 150 mm and shall be reinforced sufficiently to permit shipping and handling without damage.

CONCRETE: Cast-in-place concrete is to be Class C. All precast concrete shall meet the requirements of CMS 706.13 with a minimum of 4% entrained air content in the hardened concrete. Required markings shall include the inlet number. Exposed concrete surfaces of the inlet shall be sealed with an approved sealer.

REINFORCING STEEL: All reinforcing steel shall be epoxy coated in accordance with CMS 509.10.

QUANTITIES: Curb quantities within the limits of the inlet shall be deducted from the project quantities.

SIDE OPENING: Details shown for the right side of the inlet shall also apply to left side openings where needed for drainage of the opposite outside shoulder as shown in the plans. The sump shall be located at the downgrade end of the inlet for both right and left side openings.

OPENINGS: Pipe openings shall be the outside diameter of the pipe being supplied plus 50 mm when fabricated or field cut. The interstitial space shall be filled with grout per CMS 601.

UPPER BOX: May be precast, or cast-in-place. If precast, it shall be set in a bed of mortar at the sump walls and in a bed of compacted sand at all other points. Reinforcing steel for precast upper boxes shall be equivalent to the design shown hereon. Construction joints other than those shown are permitted in the endwalls to facilitate the removal of precasting forms. The interior trough may have a flat bottom.

All dimensions are in millimeters unless otherwise noted.



This Drawing Replaces I-2A.

OFFICE OF ROADWAY ENGINEERING
OHIO DEPARTMENT OF TRANSPORTATION

PAVEMENT INLETS	DATE 9-6-95
	STANDARD CONSTRUCTION DRAWING I-1.2M
APPROVED: <u>W.K. Huhman, P.E.</u> ADMINISTRATOR	

Inlet Length (m)	Concrete (m ³)	Reinforcing										Mass (kg)				
		S2001		S1501		S1502		S1503		H1501			V1501		V1502	
		No.	Length (mm)	No.	Length (mm)	No.	Length (mm)	No.	Length (mm)	No.	Length (mm)		No.	Length (mm)	No.	Length (mm)
1.8	1.8	5	2660	4	865	5	1300	4	2100	4	1100	4	610	2	300	72
2.4	2.1	9	2660	4	865	5	1900	4	2700	4	1700	4	610	2	300	109
3.0	2.4	13	2660	4	865	5	2500	4	3300	4	2300	4	610	2	300	146
3.6	2.8	17	2660	4	865	5	3100	4	3900	4	2900	4	610	2	300	184
4.2	3.1	21	2660	4	865	5	3700	4	4500	4	3500	4	610	2	300	221
4.8	3.4	25	2660	4	865	5	4300	4	5100	4	4100	4	610	2	300	258
5.4	3.7	29	2660	4	865	5	4900	4	5700	4	4700	4	610	2	300	296
6.0	4.0	33	2660	4	865	5	5500	4	6300	4	5300	4	610	2	300	333

Note: The above table of quantities is included with this drawing for estimating purposes only. The cost of furnishing and placing all concrete, reinforcing steel, casting, etc., shall be included in Item 604 for payment. All straight bars are #15M.