

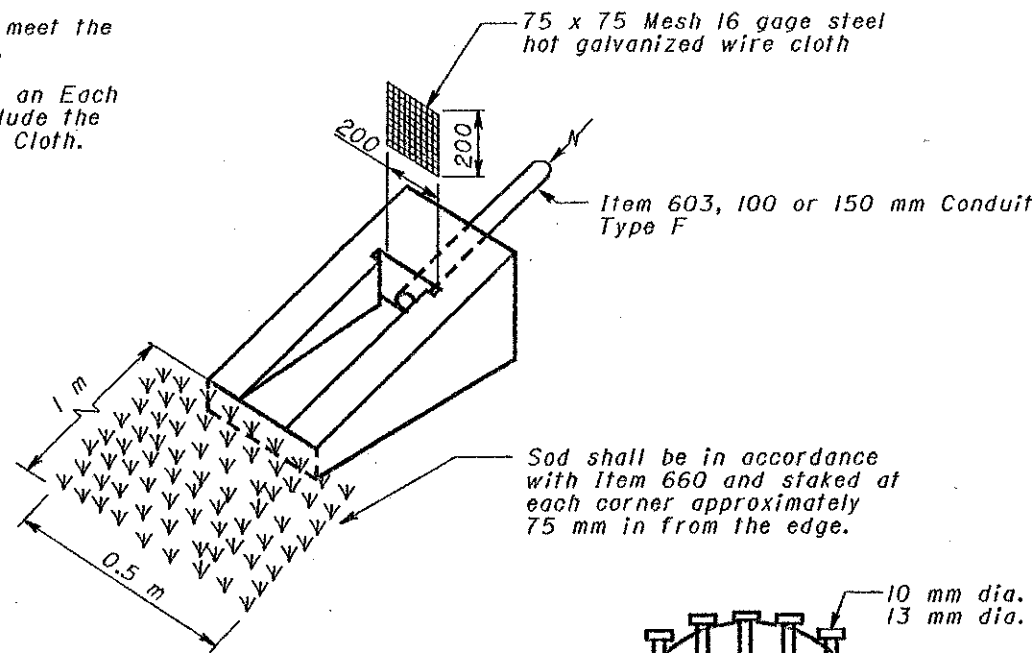
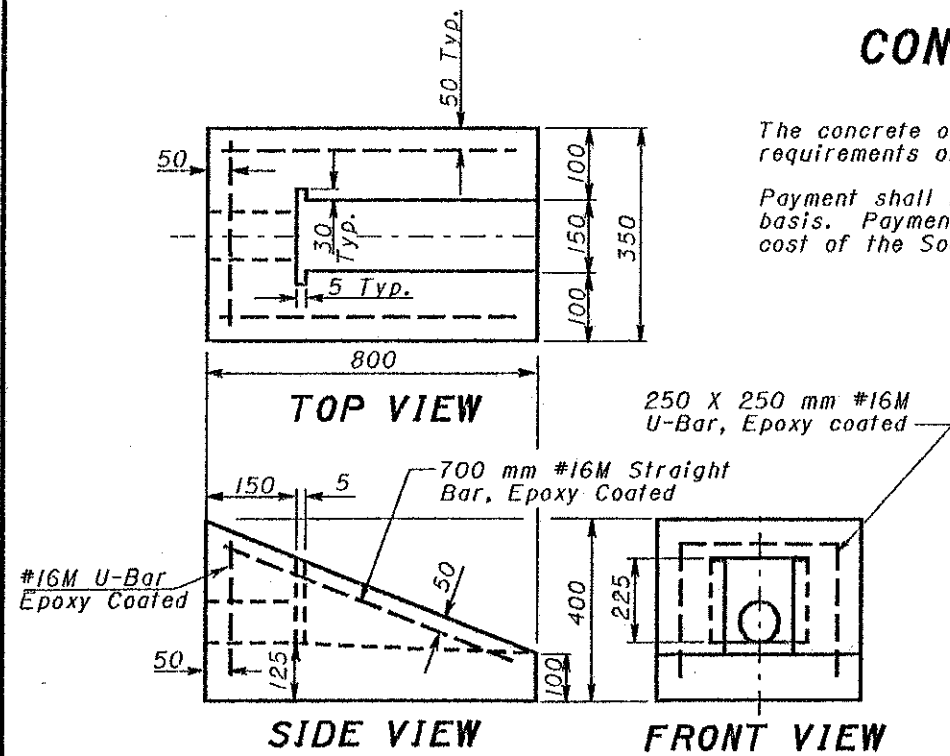
CONSTRUCTION METHODS

NOTES

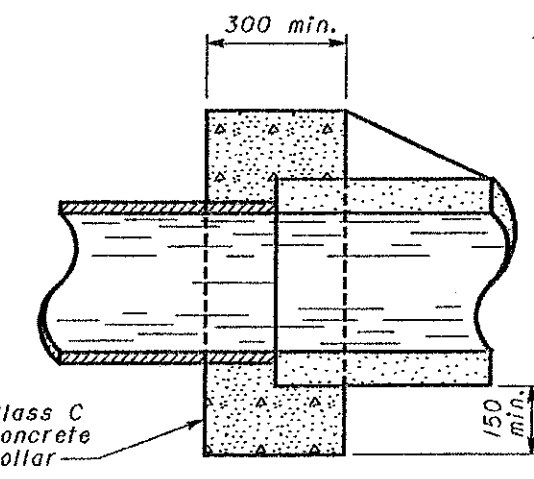
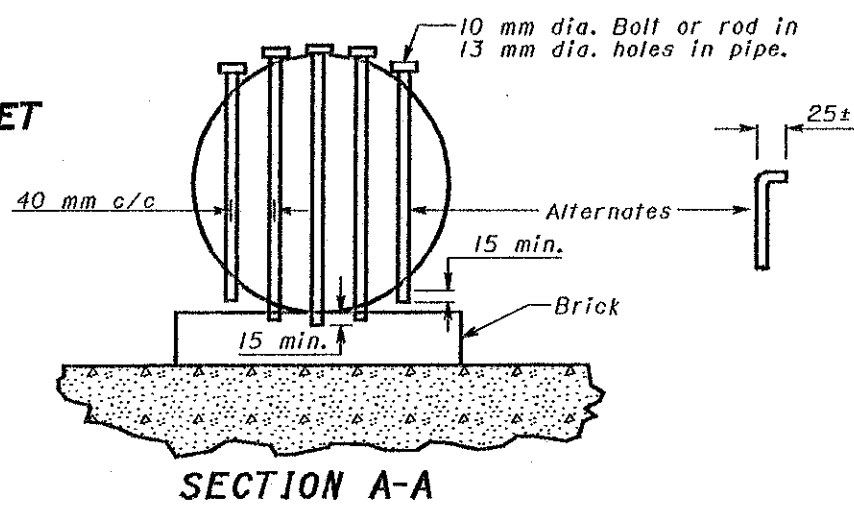
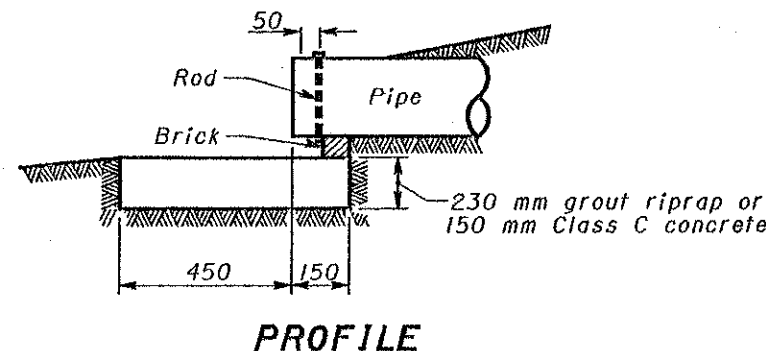
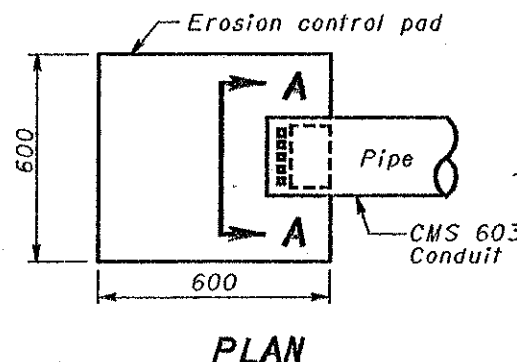
The concrete outlet shall meet the requirements of CMS 604.
 Payment shall be made on an Each basis. Payment shall include the cost of the Sod and Wire Cloth.

MASONRY COLLARS: A masonry collar shall be provide where plans require that a pipe extension be joined to the end of an existing pipe with a butt joint. The cost shall be included in the unit price bid for the new conduit.

EROSION CONTROL PAD AND ANIMAL GUARDS: These items shall be provided at the outlet end of all farm drains except where they outlet into a drainage structure. The steel bolts or rods for the animal guard shall be galvanized per CMS 710.06. In lieu of drilling or punching the 13 mm diameter holes into the pipe, a metal collar meeting all of the above requirements may be clamped onto the pipe if approved by the Engineer. Payment for the erosion control pads and animal guards shall be included in the unit price bid for Item 603 — mm Conduit, Type —.



PRECAST REINFORCED CONCRETE OUTLET



MASONRY COLLAR

EROSION CONTROL PAD AND ANIMAL GUARD FOR OUTLET PIPE

Conduit Size (mm)	100	150	200	250	300	375	450
No. of Bolts	2	3	5	6	7	9	11

All dimensions are in millimeters unless otherwise noted.



This Drawing Replaces MC-4.

OHIO DEPARTMENT OF TRANSPORTATION

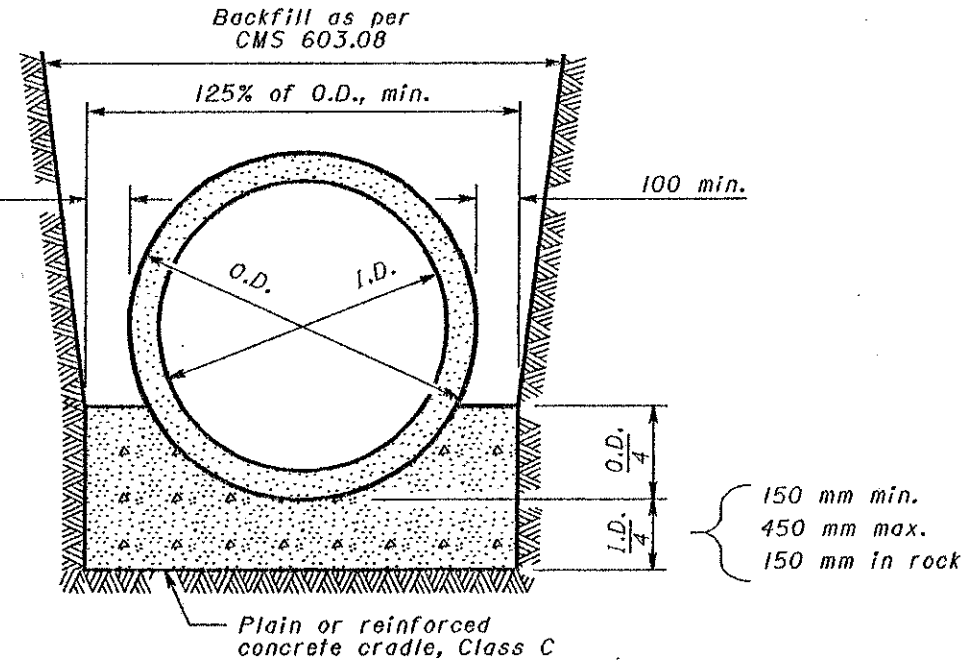
OUTLETS, DRAINS AND SEWERS

DATE: 6-30-95, 10-21-97

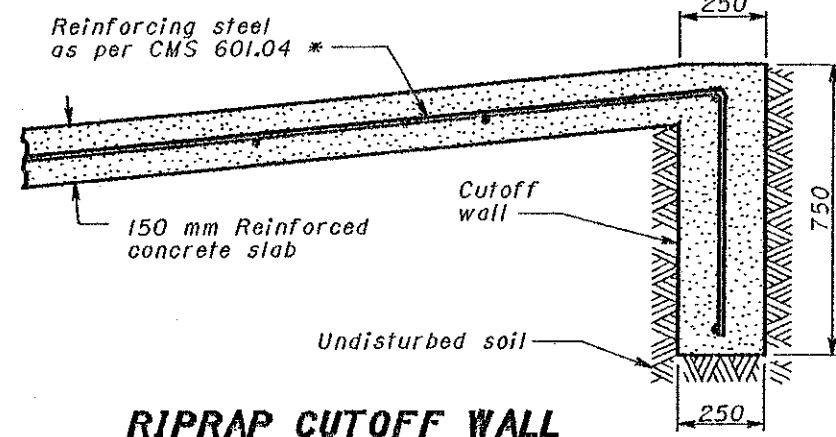
STANDARD CONSTRUCTION **DM-1.1M** DRAWING

APPROVED: *Paul F. Sutherland*

CONCRETE CRADLE CLASS A BEDDING



* If wire fabric is used in the slab, #10M bars at 600 mm overlapping the fabric. 300 mm, or wire fabric in accordance with SCD BP-1.1M may be used.



RIPRAP CUTOFF WALL

The cost of the cutoff wall shall be included in the unit price bid for Item 601 Riprap using 150 mm reinforced concrete slab