

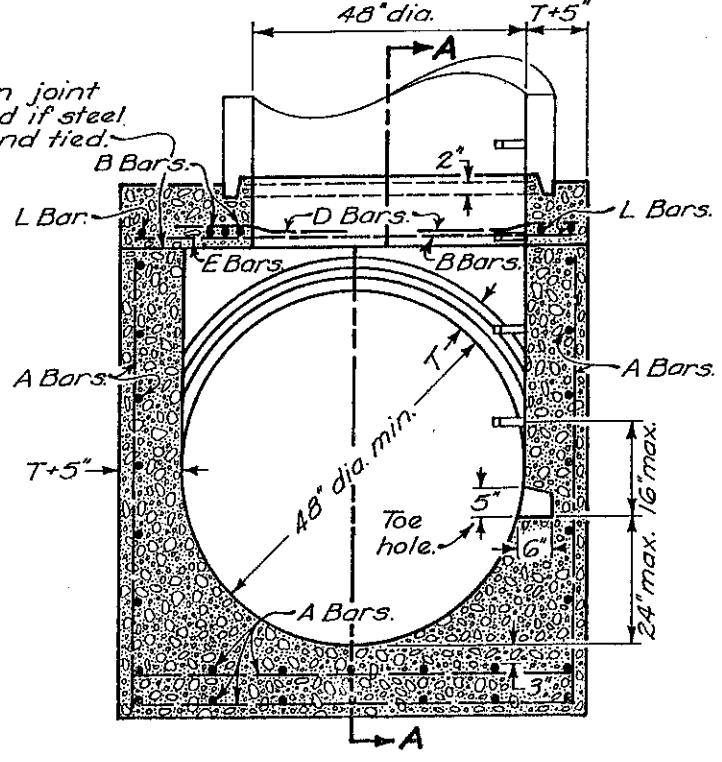
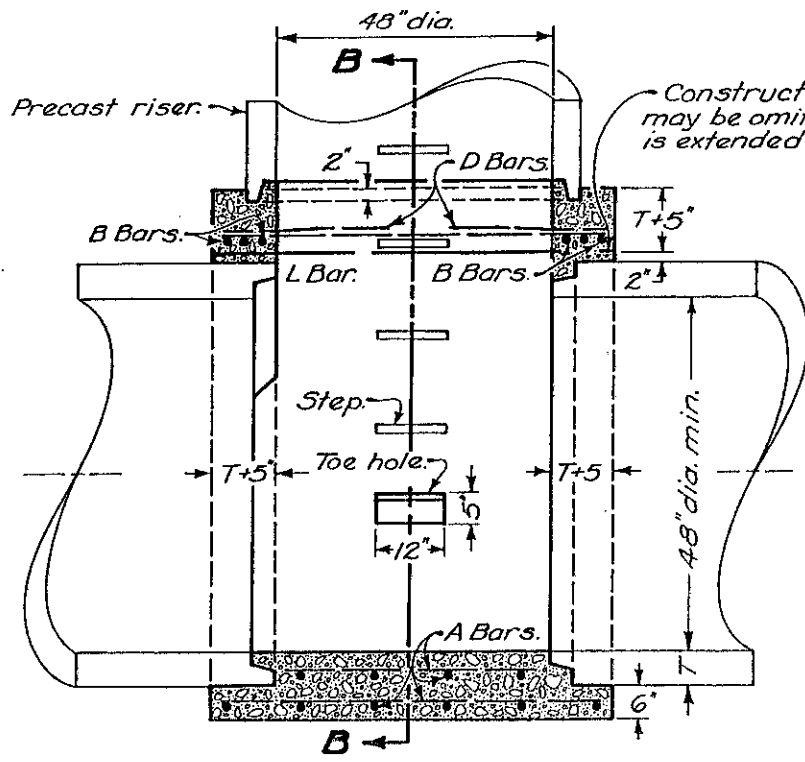
MANHOLE BASES ON SEWERS 42" AND UNDER

NOTES
NUMBER 5 MANHOLE shall consist of a base or bottom as detailed hereon and other manhole components as detailed or specified on MH-3. In lieu of the tongue and groove junction between the riser and the base, the base may have a flat surface and the riser may have a square end set in a bed of mortar on the base.

OPENINGS for the 42" and under inlet and outlet sewer pipes shall be prefabricated in the riser section unless the manhole base is built to an elevation 2" above the top of the inlet and outlet pipes.

CONCRETE for the bases may be Class C or meet the requirements of 706.13. The bases may be precast or cast in place. If precast, the base on sewers 42" and under shall have sufficient steel reinforcement to permit shipping and placement without damage to the base. The base on sewers 48" and over shall be reinforced as shown.

T = thickness of intercepting sewer pipe.



SECTION A-A
MANHOLE BASE ON SEWERS 48" AND OVER

SECTION B-B

REINFORCING STEEL LIST				
Bar	Spacing	Bar sizes for sewers		
		48"-60"	66"-78"	84"-96"
A	12" % both ways	5/8" φ	3/4" φ	7/8" φ
B	3" % both ways	5/8" φ	3/4" φ	7/8" φ
L	as shown	5/8" φ	3/4" φ	7/8" φ
D	as shown	5/8" φ	5/8" φ	5/8" φ
E	12" %	5/8" φ	5/8" φ	5/8" φ

This drawing previously MH-1A.

BUREAU OF ROADWAY DESIGN
 OHIO DEPARTMENT OF TRANSPORTATION

**No. 5
 MANHOLE**

STANDARD CONSTRUCTION DRAWING
 MH-5

APPROVED *C. J. Schaefer* ENGR., R.D.

DATE 6-12-75