

# INSPECTION WELL

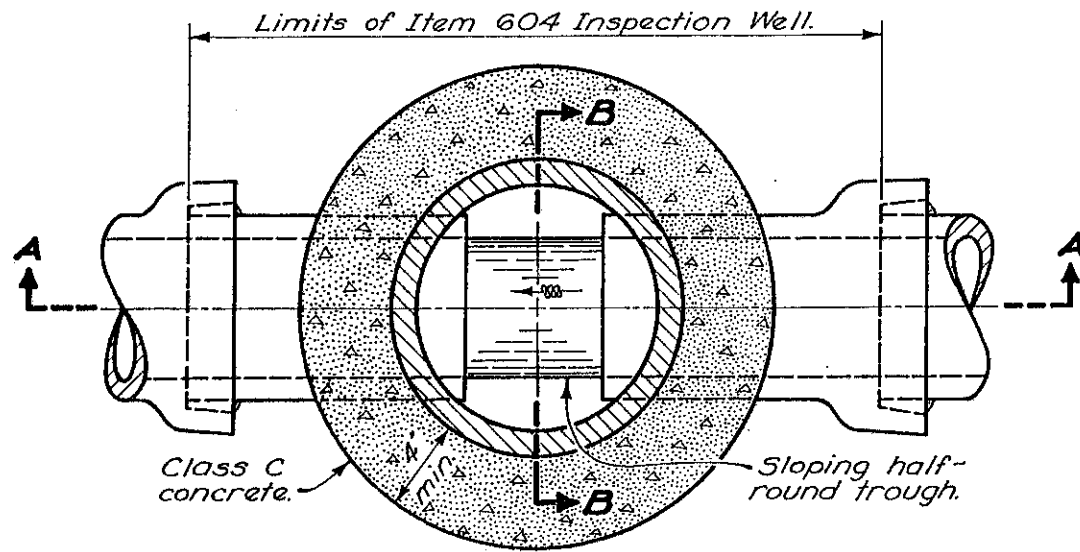
## NOTES

The Contractor shall advise the Engineer of all private drains encountered if connected to a building, septic tank, cesspool, filter bed, treatment plant or if discharging polluted water of any kind from other sources. Such drains will either be connected to the highway drainage system or plugged as directed by the Engineer. If connected to the highway storm sewer system, an inspection well shall be constructed as detailed hereon on each such drain unless the drain is to be connected to a catch basin, inlet or manhole or is to discharge into an open channel or ditch.

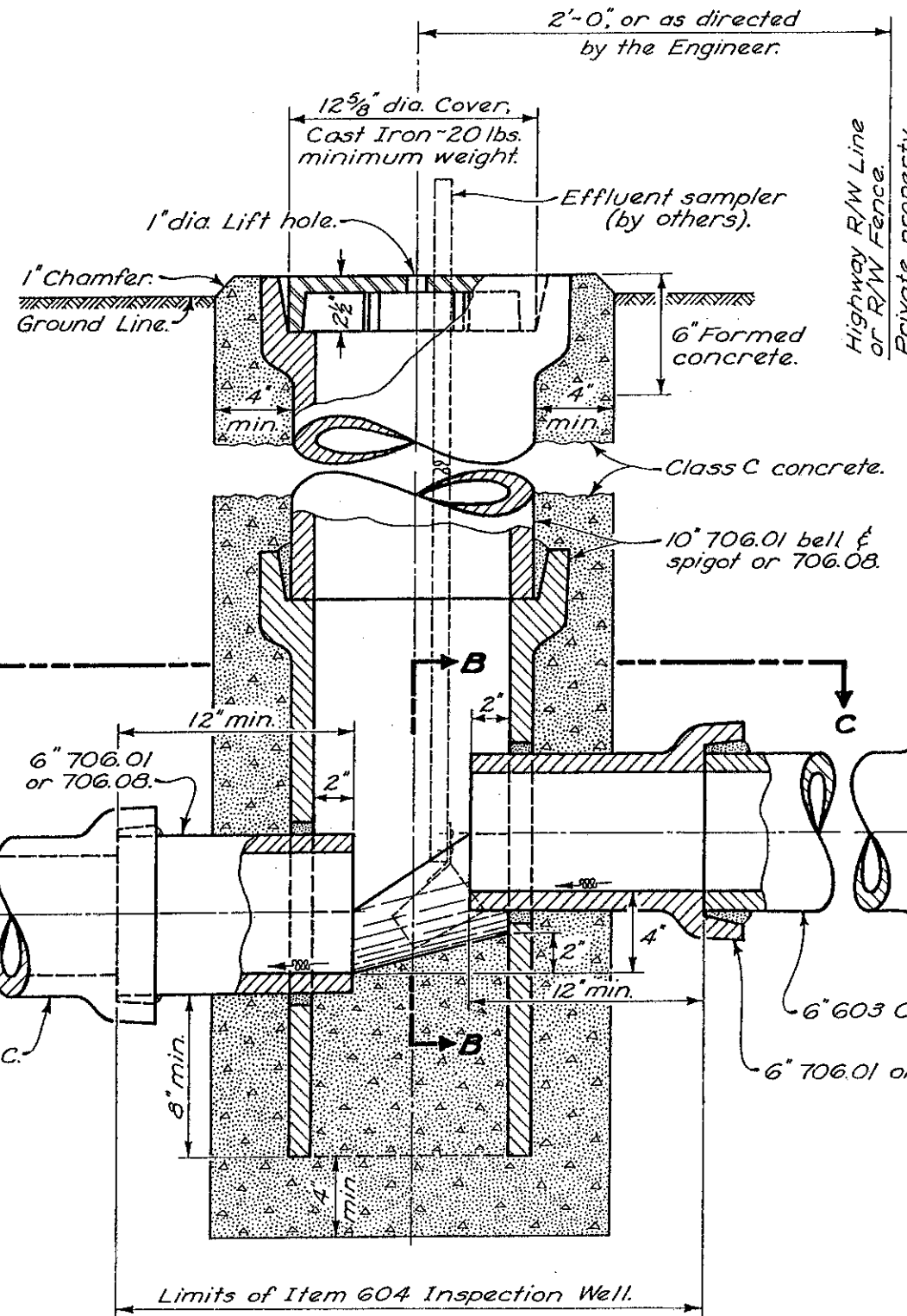
Cost of tapping the highway sewer, including the concrete collar or Tee, shall be included in the unit price bid per linear foot of 603 conduit.

Component parts of the inspection well may be job or factory cut and job assembled.

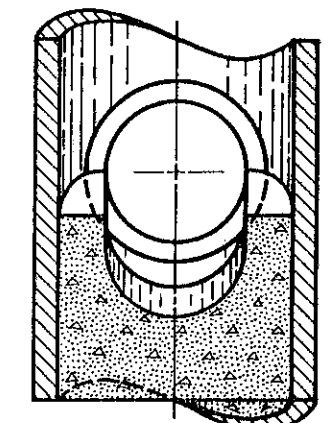
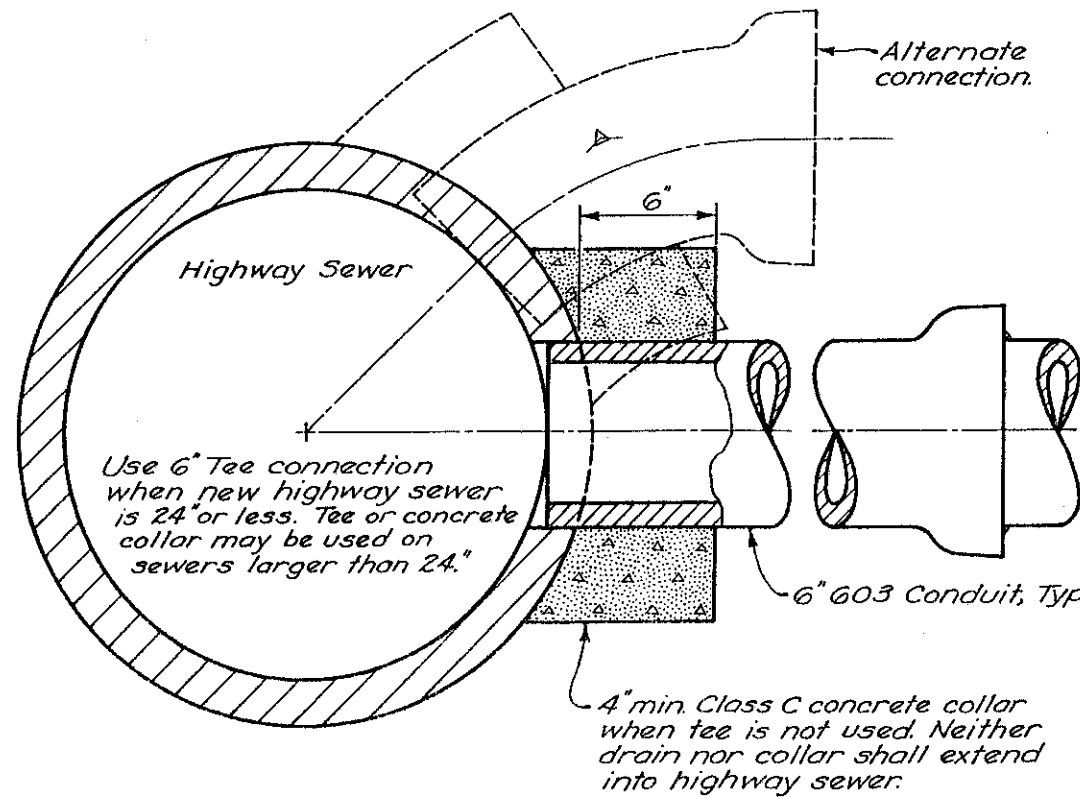
The work included in this item shall conform with the provisions of Item 604, including excavation and backfill, and shall be paid for at the contract unit price per each, Inspection Wells, complete in place.



SECTION C-C



SECTION A-A  
ELEVATION



SECTION B-B

BUREAU OF ROADWAY DESIGN OHIO DEPARTMENT OF TRANSPORTATION	
<b>INSPECTION WELL</b>	
STANDARD CONSTRUCTION DRAWING	MC-8
APPROVED: <i>E. J. DeBorja</i>	ENGR., R.D.
DATE	12-1-67 6-12-75