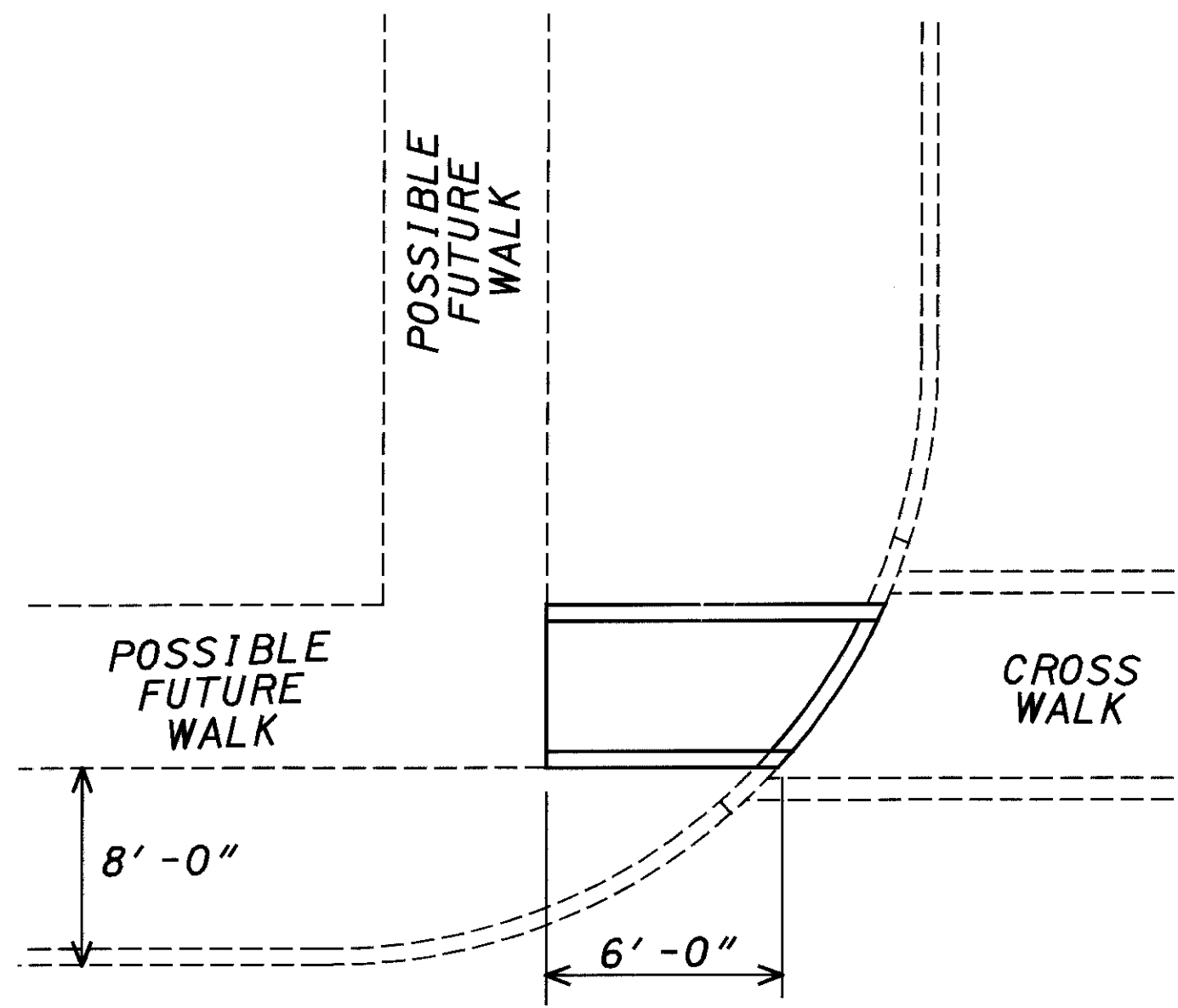


PLOT SUBMITTED: 09-OCT-1998 11:47

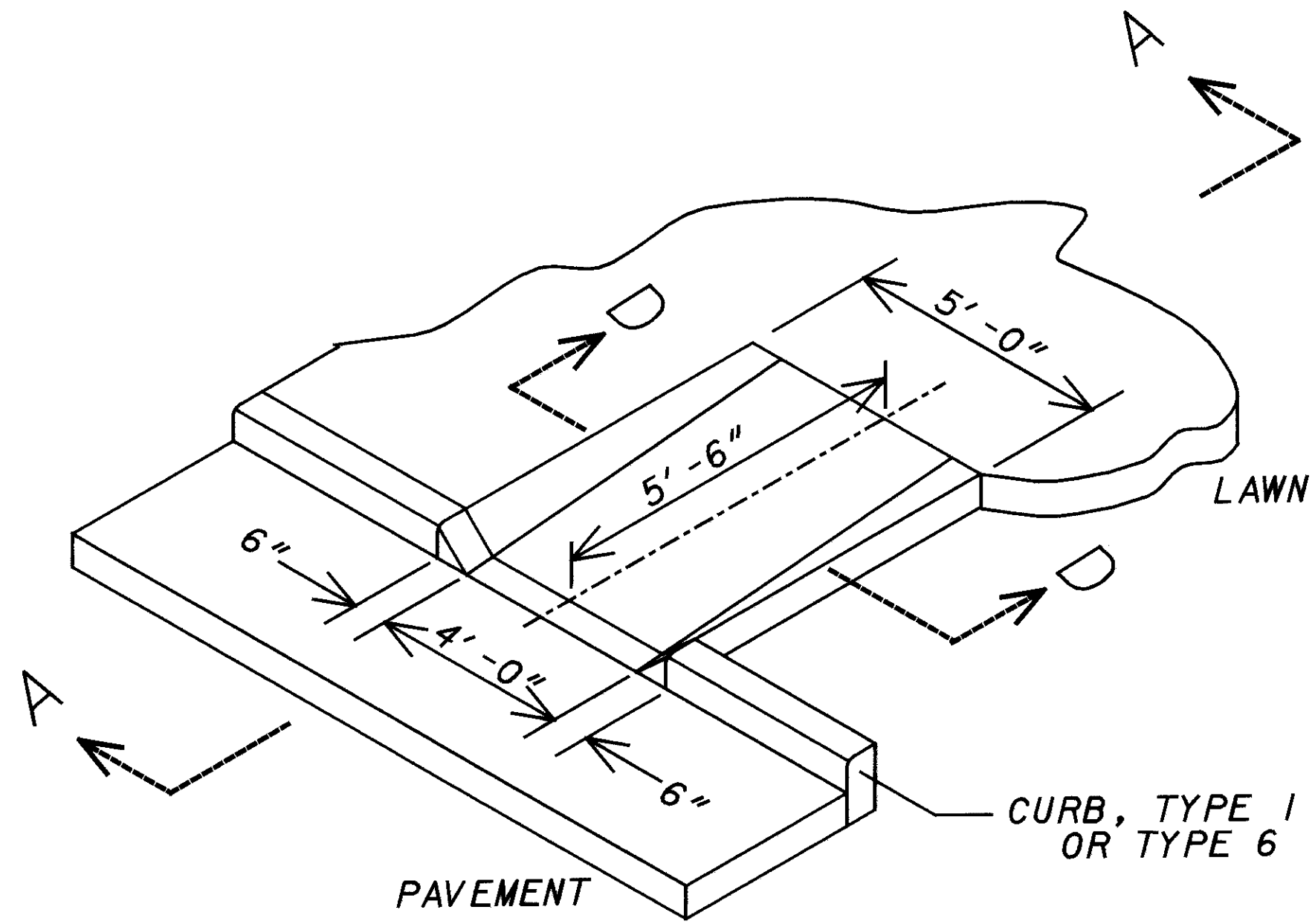
09864GM.J.dgn

09864gm.j.dgn

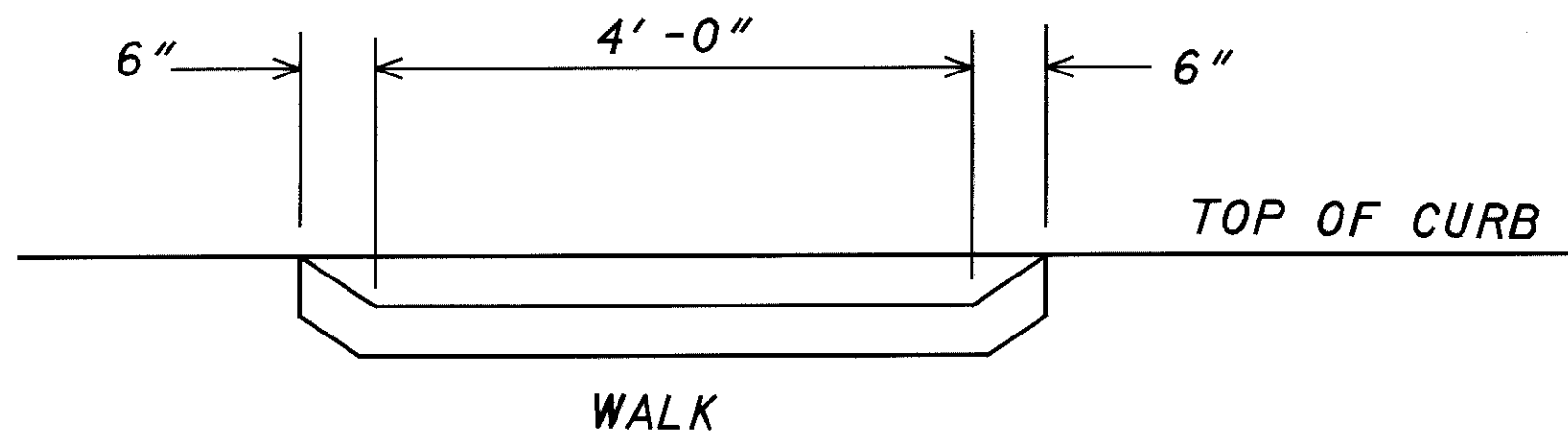
PLOTTED BY: fkonopka  
PLOTTED FROM: \\users\bkkruse\p\d\09864



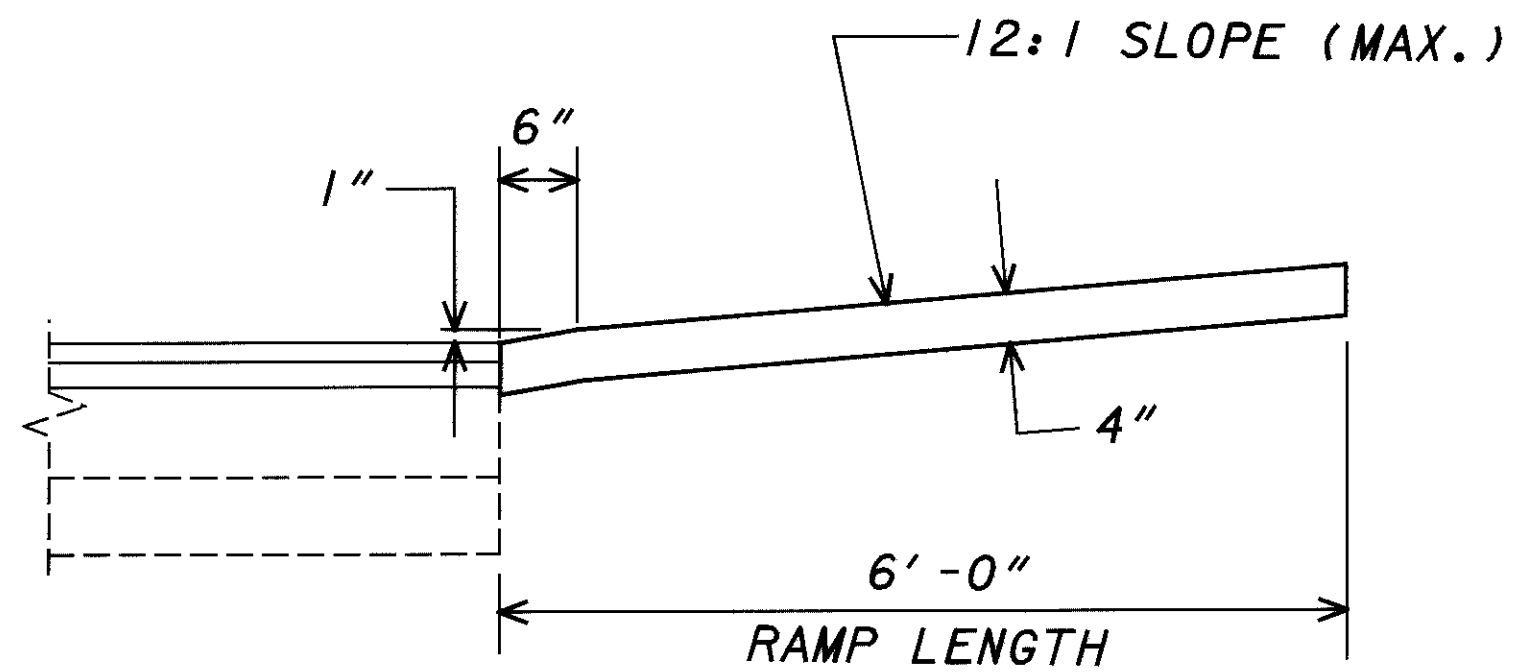
TYPICAL RAMP LOCATION



CURB RAMP  
TYPE 2 (MODIFIED)



SECTION D-D



SECTION A-A

NOTES:

THESE DETAILS ARE TO BE USED FOR AREAS WHERE THERE IS NO EXISTING OR PROPOSED WALK.

THESE DETAILS SUPPLEMENT STANDARD DRAWING BP-7.1 DATED 10-30-94 AND DO NOT IN ANY WAY REPLACE THE STANDARD DRAWING.

REFER TO STANDARD FOR ALL OTHER SITUATIONS.

SEE SHEET 23  
FOR WALK LOCATIONS  
AND QUANTITIES.

CALCULATED  
BJK  
CHECKED  
ENF

CURB RAMP DETAIL

CUYAHOGA COUNTY  
LAKE COUNTY  
CUY/LAK-91-15.42/0.00