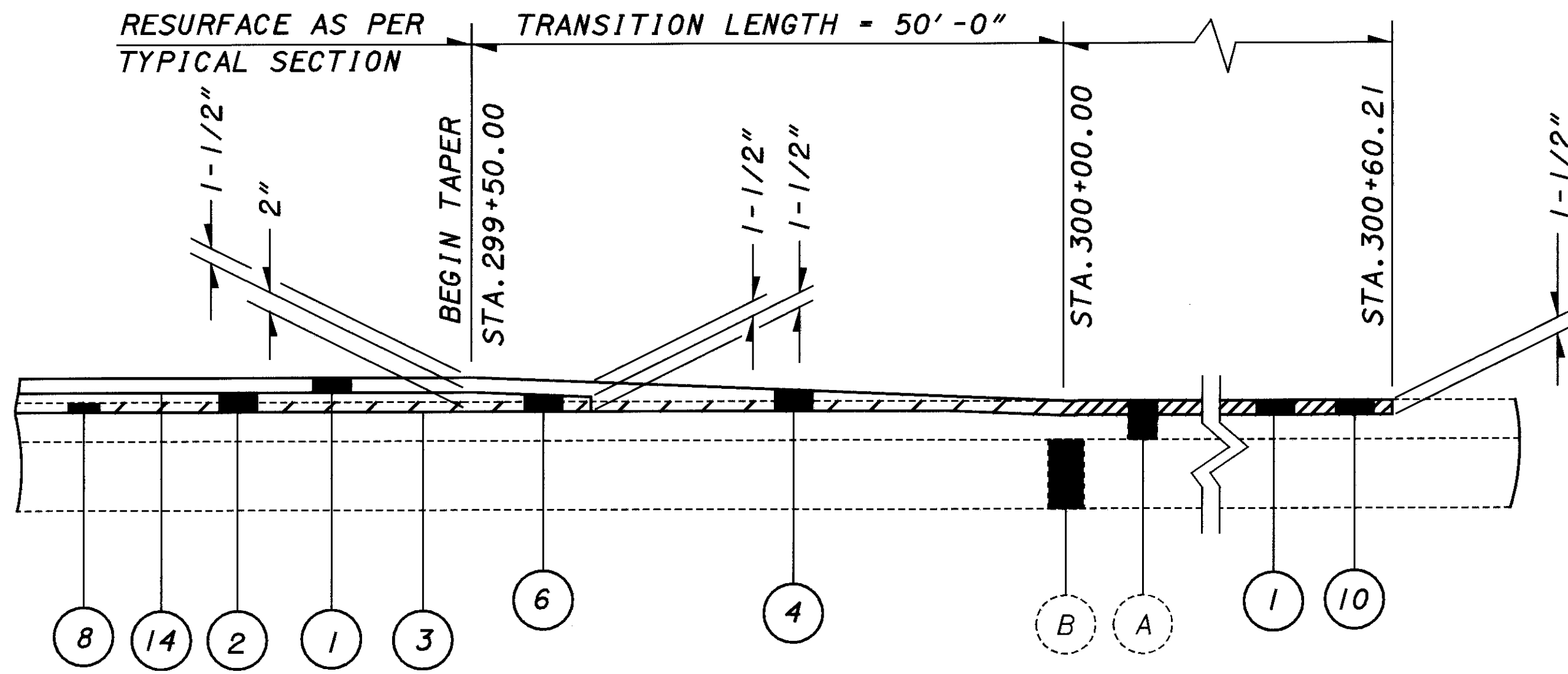
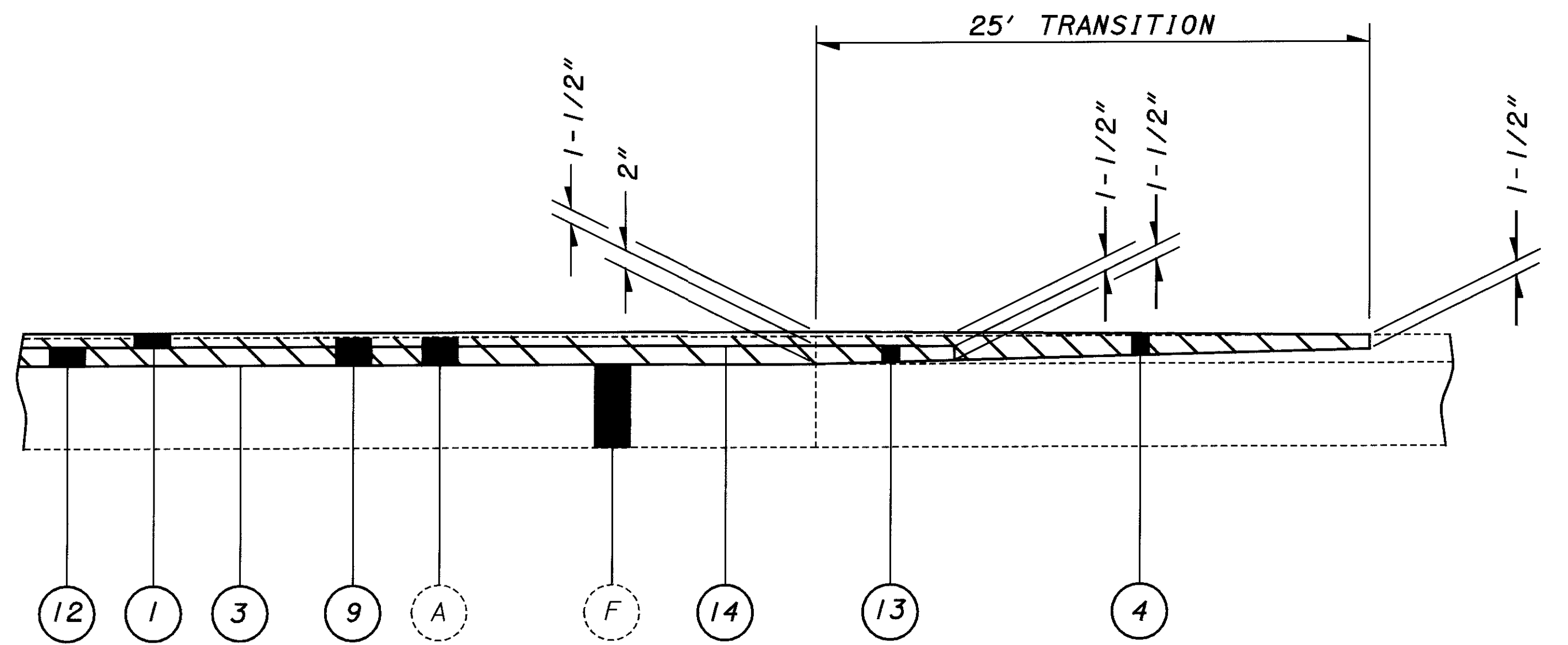


BUTT JOINT, AS PER
 STD. DWG. BP-3.1

MAINLINE PAVEMENT TRANSITION AT BEGIN WORK
 STA. 99+00.00 TO STA. 99+50.00



MAINLINE PAVEMENT TRANSITION AT END WORK
 STA. 299+50.00 TO STA. 300+00.00



MAINLINE PAVEMENT TRANSITION AT FREEWAY RAMPS

PROPOSED PAVEMENT

- ① 446 - ASPHALT CONCRETE SURFACE COURSE, TYPE 1H, AS PER PLAN (1 1/2")
- ② 446 - ASPHALT CONCRETE INTERMEDIATE COURSE, TYPE 2, PG64-22 (2")
- ③ 407 - TACK COAT
- ④ 446 - ASPHALT CONCRETE SURFACE COURSE, TYPE 1H, AS PER PLAN (VARIABLE)
- ⑤ 446 - ASPHALT CONCRETE INTERMEDIATE COURSE, TYPE 2, PG64-22 (1 3/4")
- ⑥ 446 - ASPHALT CONCRETE INTERMEDIATE COURSE, TYPE 2, PG64-22 (VARIABLE)
- ⑦ 254 - PAVEMENT PLANING, BITUMINOUS (3" TO 1")
- ⑧ 254 - PAVEMENT PLANING, BITUMINOUS (1")
- ⑨ 202 - WEARING COURSE REMOVED (3")
- ⑩ 254 - PAVEMENT PLANING, BITUMINOUS (1 1/2")
- ⑫ 448 - ASPHALT CONCRETE INTERMEDIATE COURSE, TYPE 2, PG64-22 (2")
- ⑬ 448 - ASPHALT CONCRETE INTERMEDIATE COURSE, TYPE 2, PG64-22 (VARIABLE)
- ⑭ 407 - TACK COAT FOR INTERMEDIATE COURSE

- XXXXXX - PAVEMENT PLANING, BITUMINOUS (3" TO 1")
- //// - PAVEMENT PLANING, BITUMINOUS (1")
- //// - PAVEMENT PLANING, BITUMINOUS (1-1/2")
- //// - WEARING COURSE REMOVED (3")

EXISTING LEGEND

- Ⓐ ASPHALT CONCRETE
- Ⓑ WATERPROOFED AGGREGATE BASE
- Ⓒ STABILIZED CRUSHED AGGREGATE
- Ⓓ SUBBASE
- Ⓔ CONCRETE BASE
- Ⓕ REINFORCED CONCRETE BASE