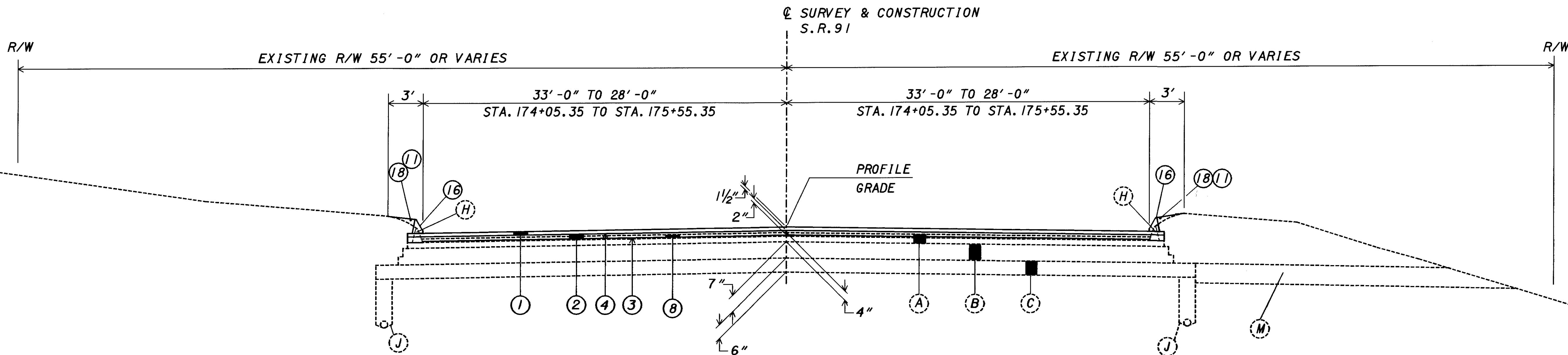
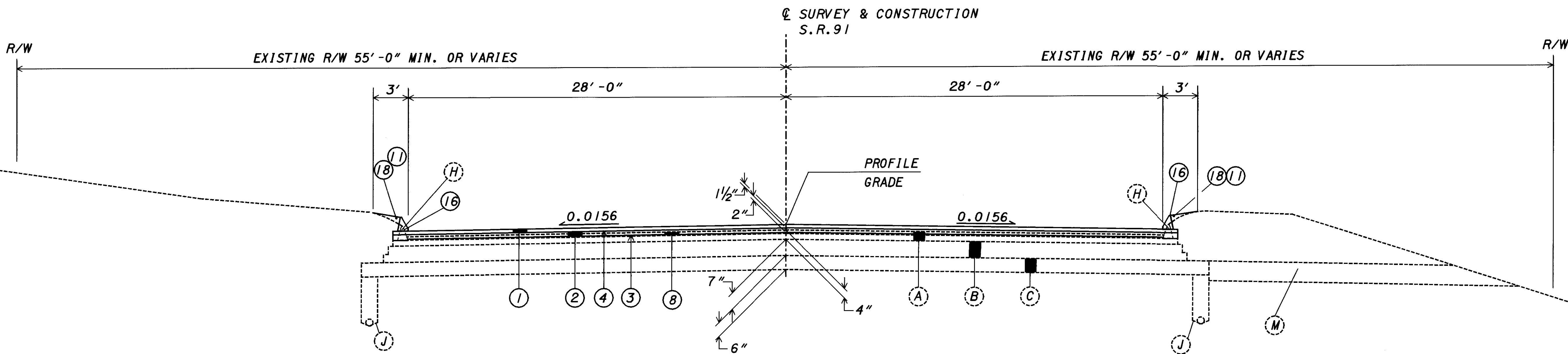


PLOTTED BY: fkonopka
 PLOTTED FROM: \\users\bkruse\p\d\9864\09864qc.dgn
 09864gyc.dgn
 08:16
 09-OCT-1998



S.O.M. CENTER ROAD - S.R. 91
NORMAL SECTION
 STA. 174+05.35 TO STA. 175+55.35 - 150.00 LIN. FT.



S.O.M. CENTER ROAD - S.R. 91
NORMAL SECTION
 STA. 175+55.35 TO STA. 180+24.66 BK - 469.31 LIN. FT.
 STA. 180+24.70 FWD TO STA. 194+40.84 - 1416.14 LIN. FT.

REFERENCE	
DESCRIPTION	SHEET
LEGEND	3
CURB DETAIL	3



CUYAHOGA COUNTY
 LAKE COUNTY
 CUY/LAK-91-15.42/0.00
 TYPICAL SECTIONS
 SR-91
 STA. 174+05.35 TO STA. 194+40.84