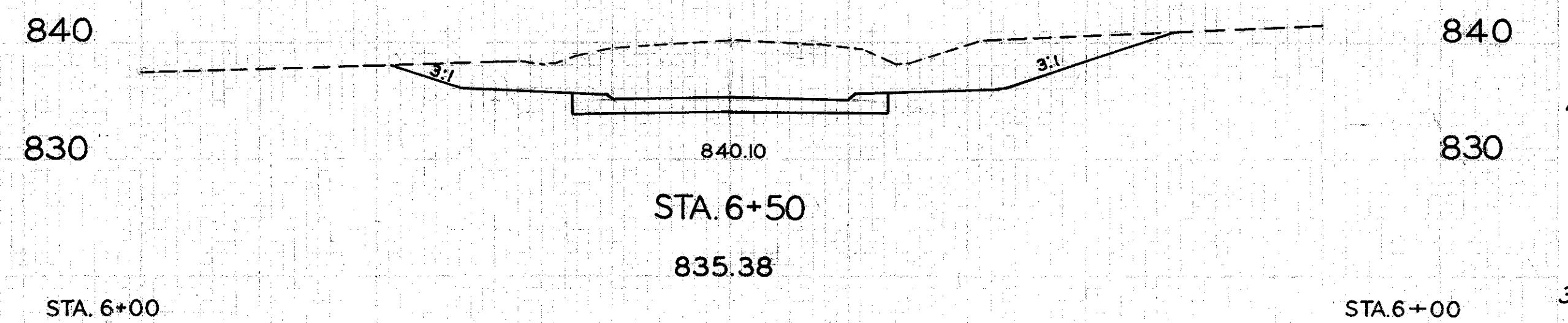
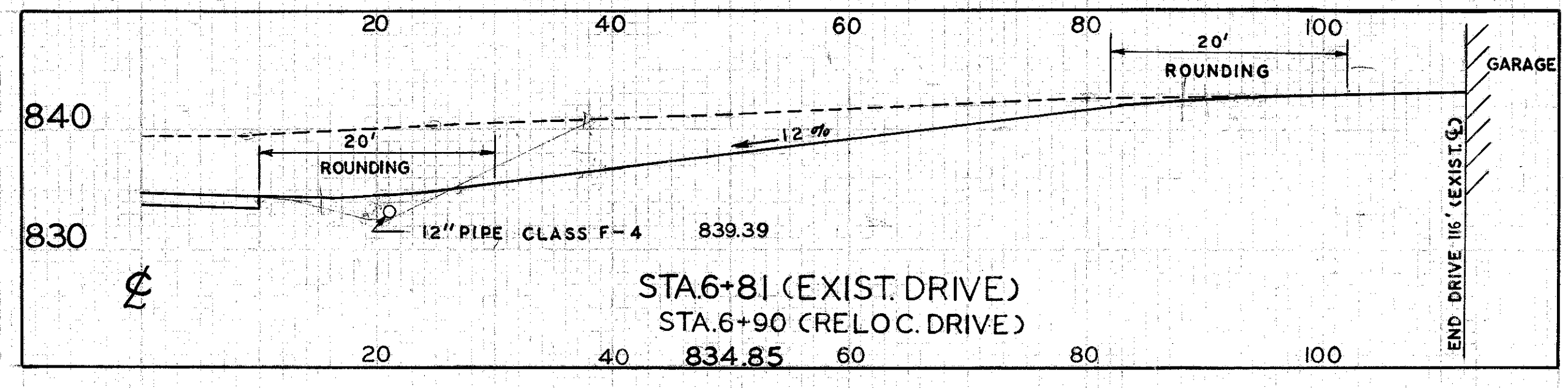
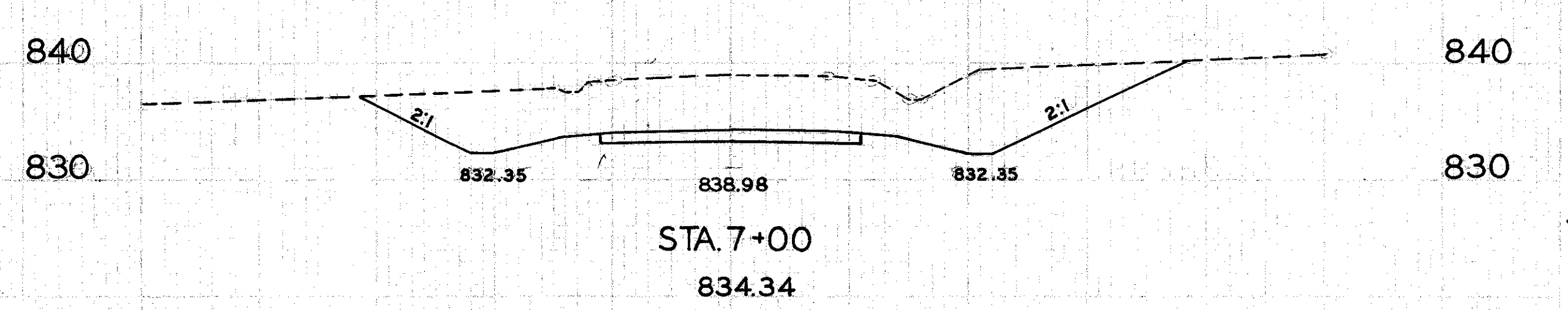
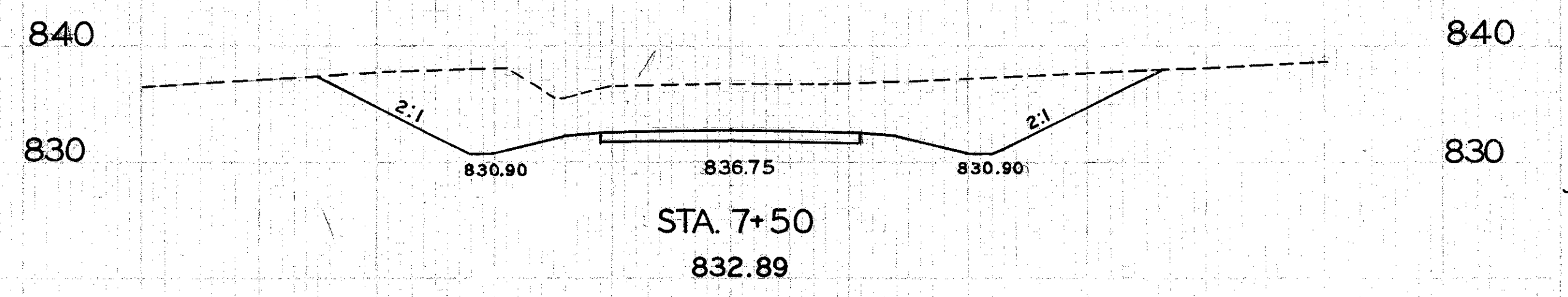
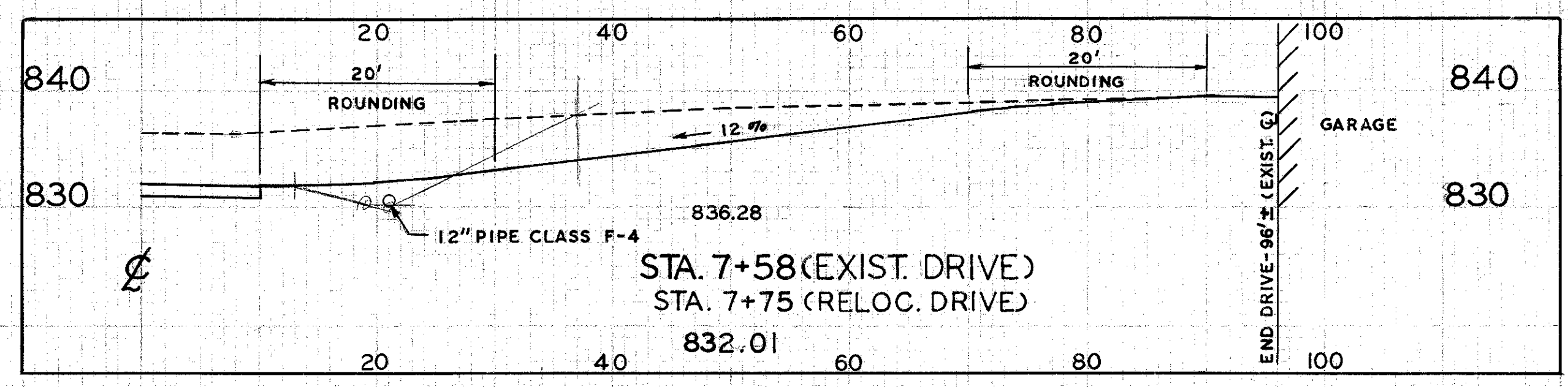


END AREA	VOLUME		SEEDING	
	CUT	FILL	CUT	FILL
310	0			
437	0	59		
692	0	58		
1305	0	306		
717	0	52		
656	0	32		
		1045	0	325
				582
				309
				516
				248
				517
				310



CROSS SECTIONS...EDDY RD...STA. 3+00 TO STA. 7+58