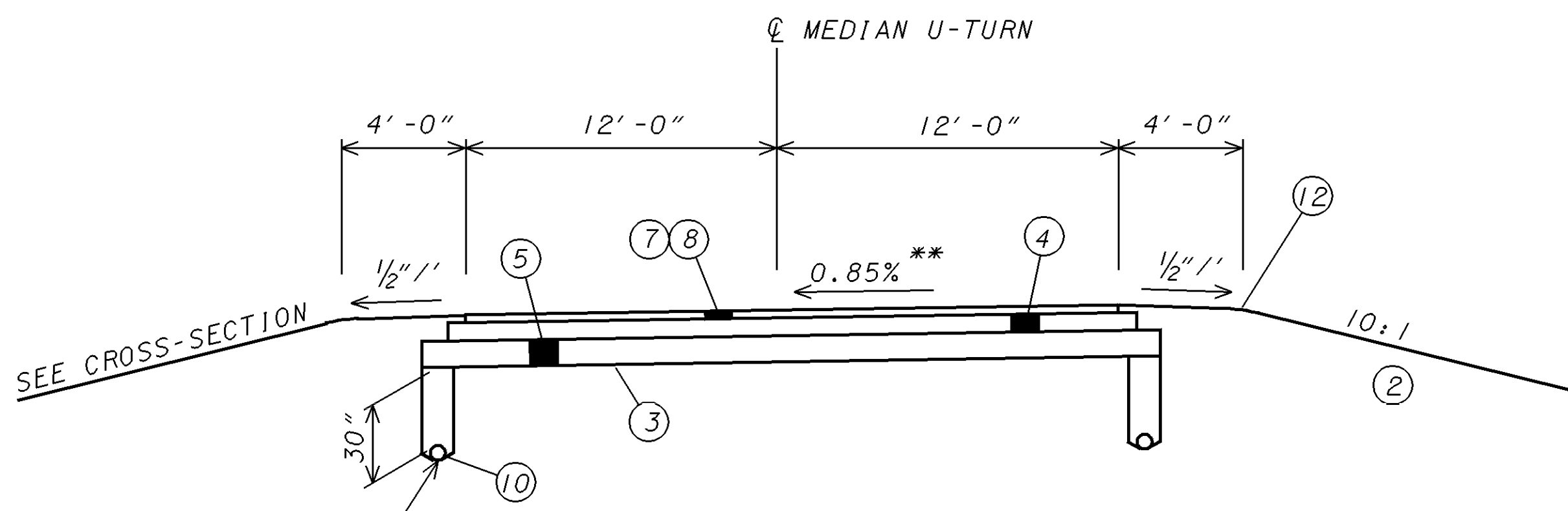


TYPICAL EDGE DETAIL



SECTION A-A

CONNECT U.D. TO CATCH BASINS WITH 6" CONDUIT TYPE F, 707.17 NON-PERFORATED, ASTM 3034, SDR 35, SS 931, OR SS 944.

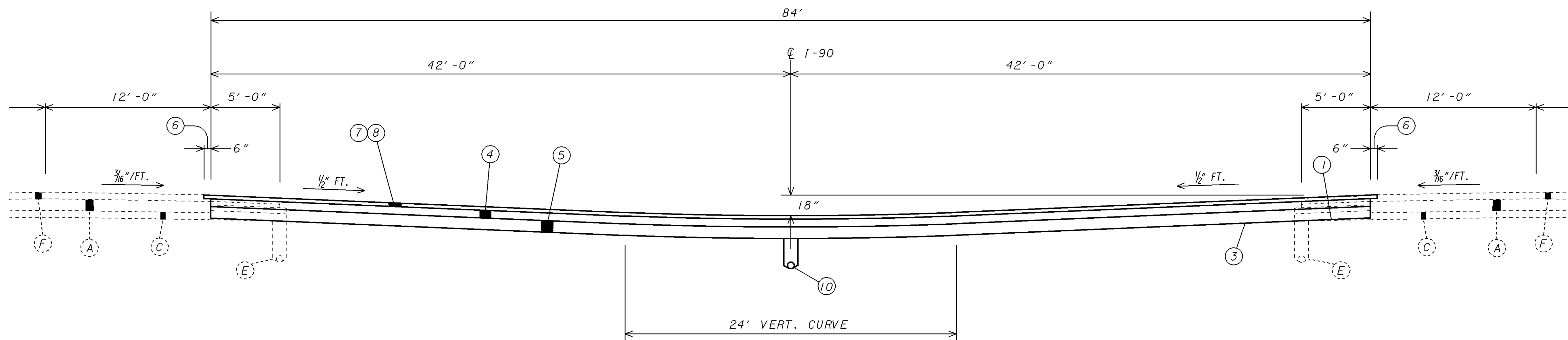
** MATCH LONGITUDINAL SLOPE OF MAINLINE PAVEMENT

PROPOSED

- ① ITEM-203 EXCAVATION NOT INCLUDING EMBANKMENT CONSTRUCTION
- ② ITEM-203 EMBANKMENT
- ③ ITEM-203 SUBGRADE COMPACTION
- ④ ITEM-301 7" BITUMINOUS AGGREGATE BASE AC-20, AS PER PLAN (SEE SHEET XX)
- ⑤ ITEM-304 10" AGGREGATE BASE, AS PER PLAN (SEE SHEET XX)
- ⑥ ITEM-407 TACK COAT
- ⑦ ITEM-404 1-1/4" ASPHALT CONCRETE SURFACE COURSE, TYPE 1, AC-20, AS PER PLAN
- ⑧ ITEM-402 1-3/4" ASPHALT CONCRETE, INTERMEDIATE COURSE, TYPE 2, AC-20
- ⑨ ITEM-402 ASPHALT CONCRETE, INTERMEDIATE COURSE, TYPE 1, (UNDER GUARDRAIL) (3" THICK)
- ⑩ ITEM-605 6" SHALLOW PIPE UNDERDRAIN WITH FABRIC WRAP
- ⑪ ITEM-606 GUARDRAIL, TYPE 5
- ⑫ ITEM-659 SEEDING AND MULCHING

EXISTING

- Ⓐ 10" REINFORCED CONCRETE PAVEMENT
- Ⓑ BITUMINOUS AGGREGATE BASE
- Ⓒ AGGREGATE BASE
- Ⓓ SUBBASE
- Ⓔ UNDERDRAIN
- Ⓕ 3" ± ASPHALT CONCRETE
- Ⓖ CURB
- Ⓗ 5-3/4" ± ASPHALT CONCRETE
- Ⓙ 5" ± ASPHALT CONCRETE



SECTION B-B