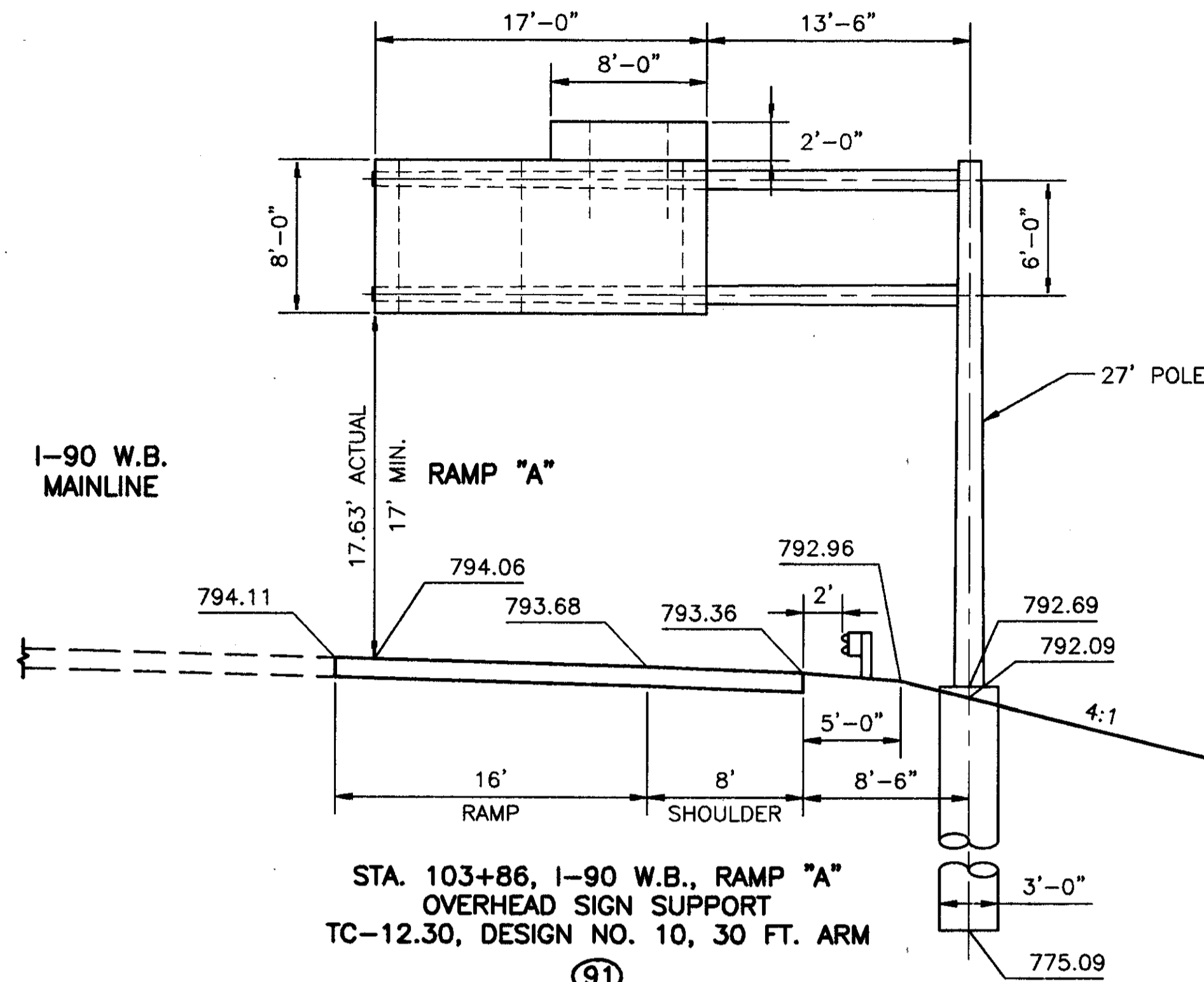


LT. BEAM = 19.50'
RT. BEAM = 19.50'

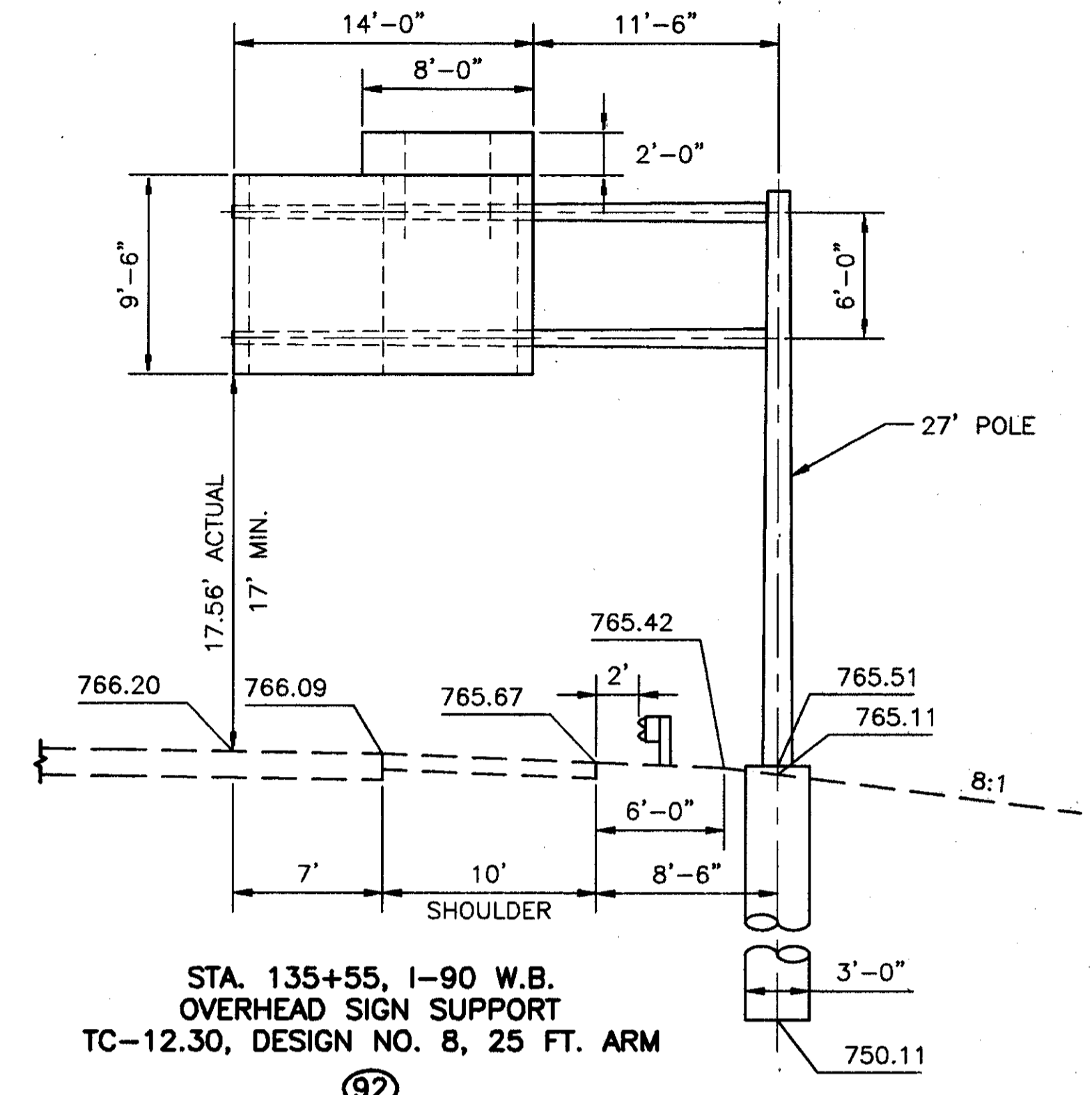
STA. 100+00, I-90 W.B., RAMP "A"
2 - W6x9 BEAM SUPPORTS

90



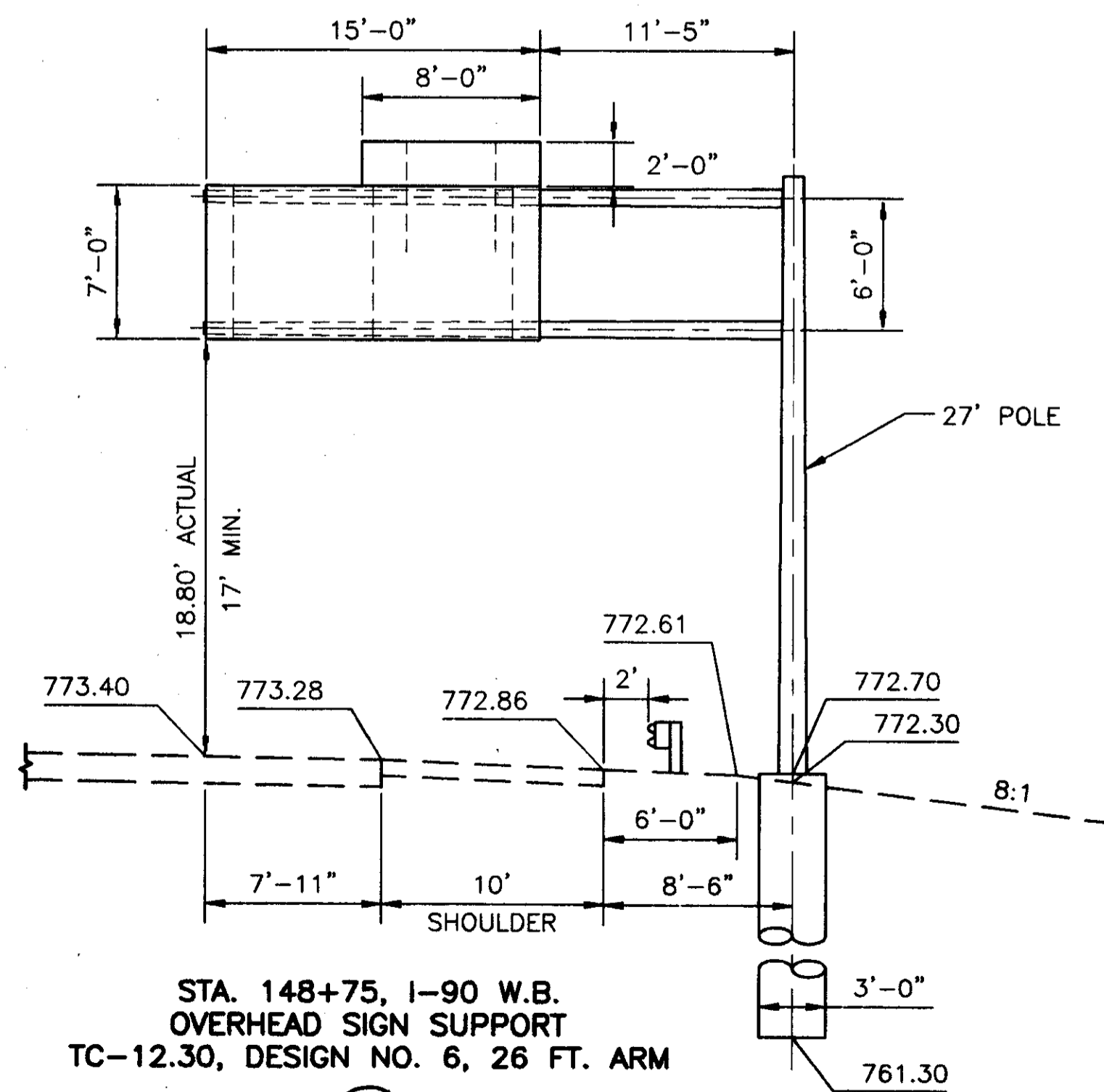
STA. 103+86, I-90 W.B., RAMP "A"
OVERHEAD SIGN SUPPORT
TC-12.30, DESIGN NO. 10, 30 FT. ARM

91



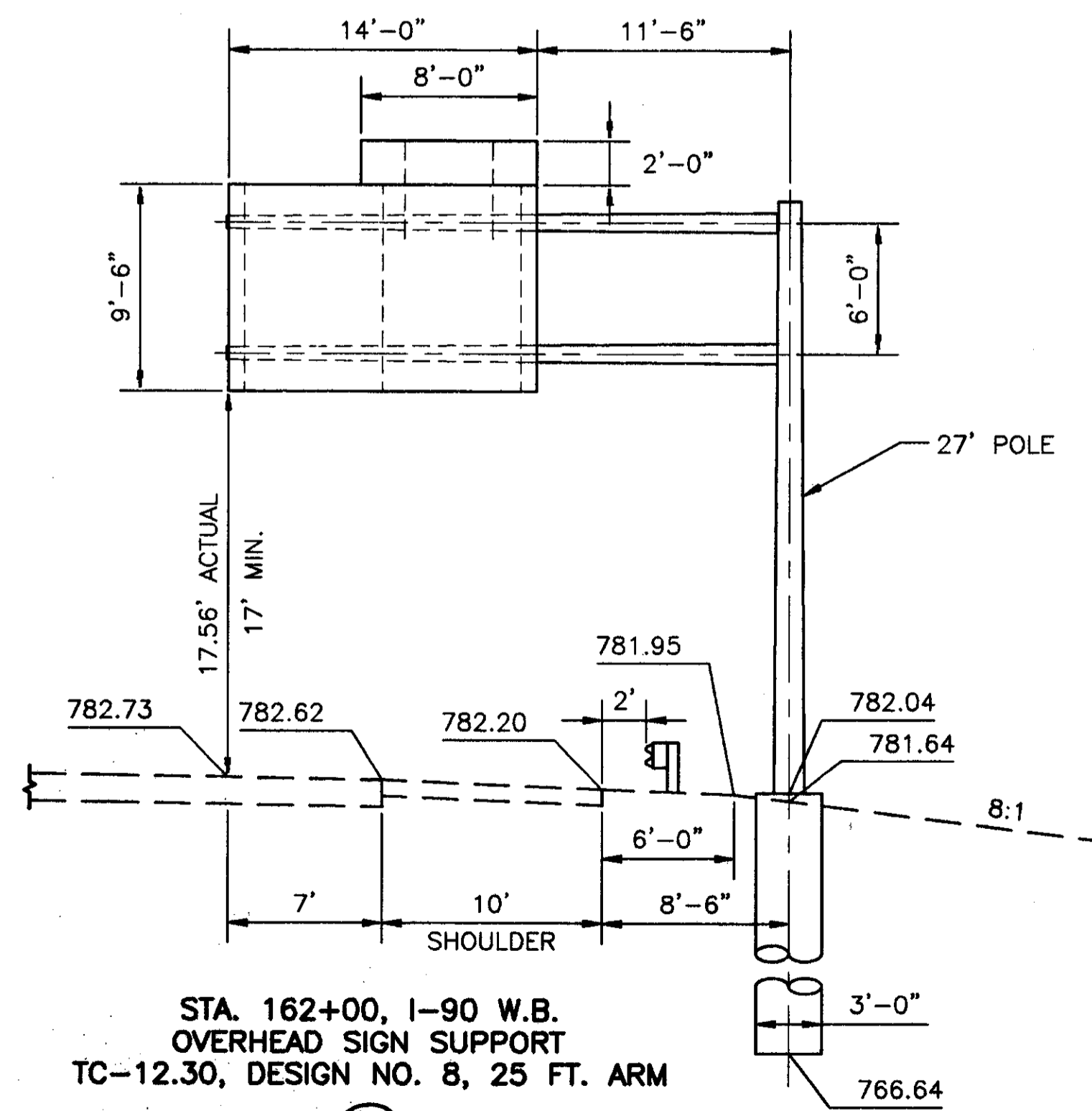
STA. 135+55, I-90 W.B.
OVERHEAD SIGN SUPPORT
TC-12.30, DESIGN NO. 8, 25 FT. ARM

92



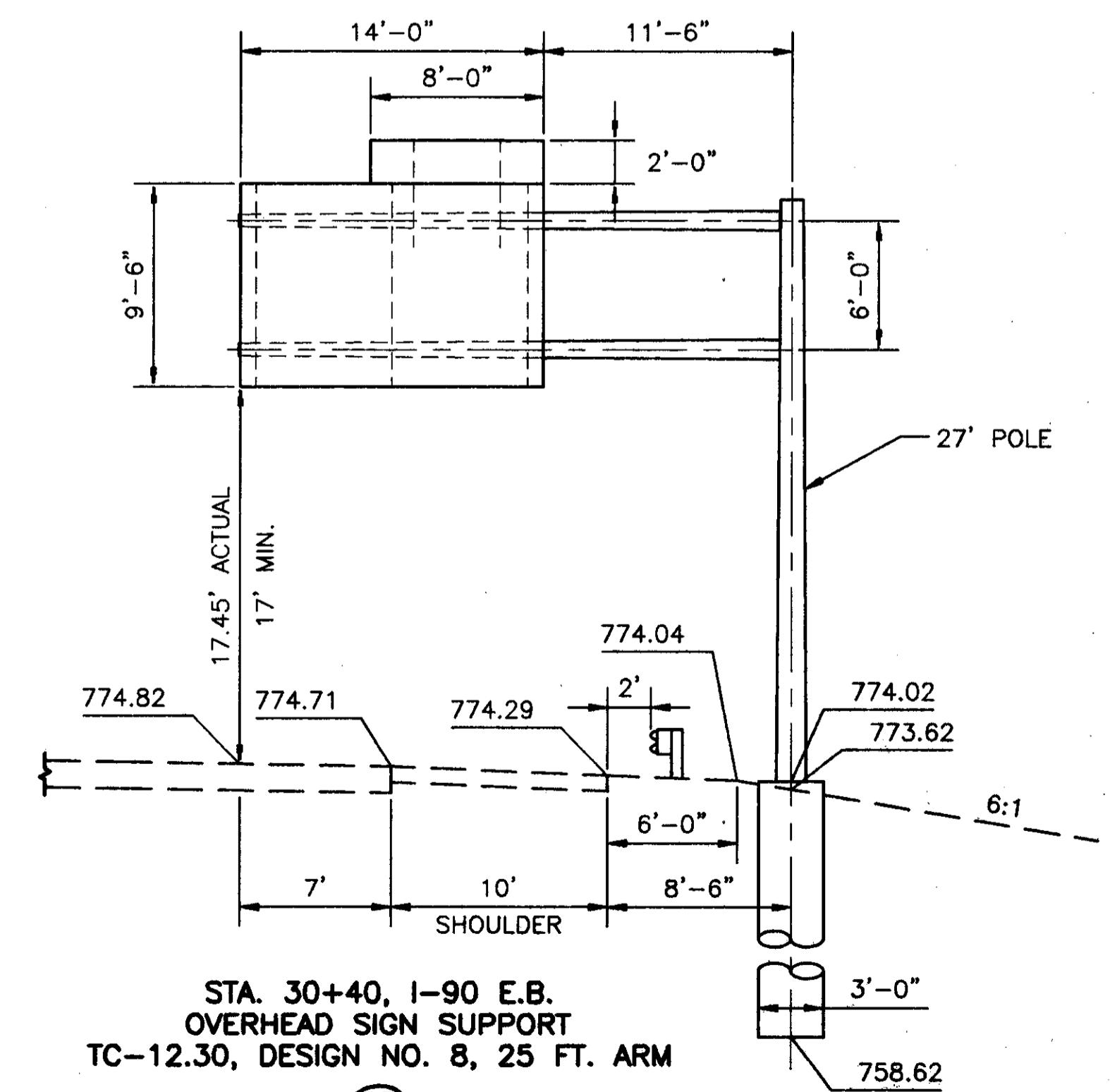
STA. 148+75, I-90 W.B.
OVERHEAD SIGN SUPPORT
TC-12.30, DESIGN NO. 6, 26 FT. ARM

93



STA. 162+00, I-90 W.B.
OVERHEAD SIGN SUPPORT
TC-12.30, DESIGN NO. 8, 25 FT. ARM

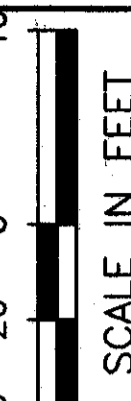
94



STA. 30+40, I-90 E.B.
OVERHEAD SIGN SUPPORT
TC-12.30, DESIGN NO. 8, 25 FT. ARM

95

DATE: 10-09-01 - H:\CT\97125\SOSK\TRAFFIC\97125OHS.DWG - PLOT SCALE = 1 : 1 (PLOT-2)



CALCULATED
A.E.P.
CHECKED
I.M.H.

S.R. 615
OVERHEAD AND GROUND MOUNTED SIGN ELEVATION VIEWS

LAK-IR90/SR615-9.26/1.51

319
393