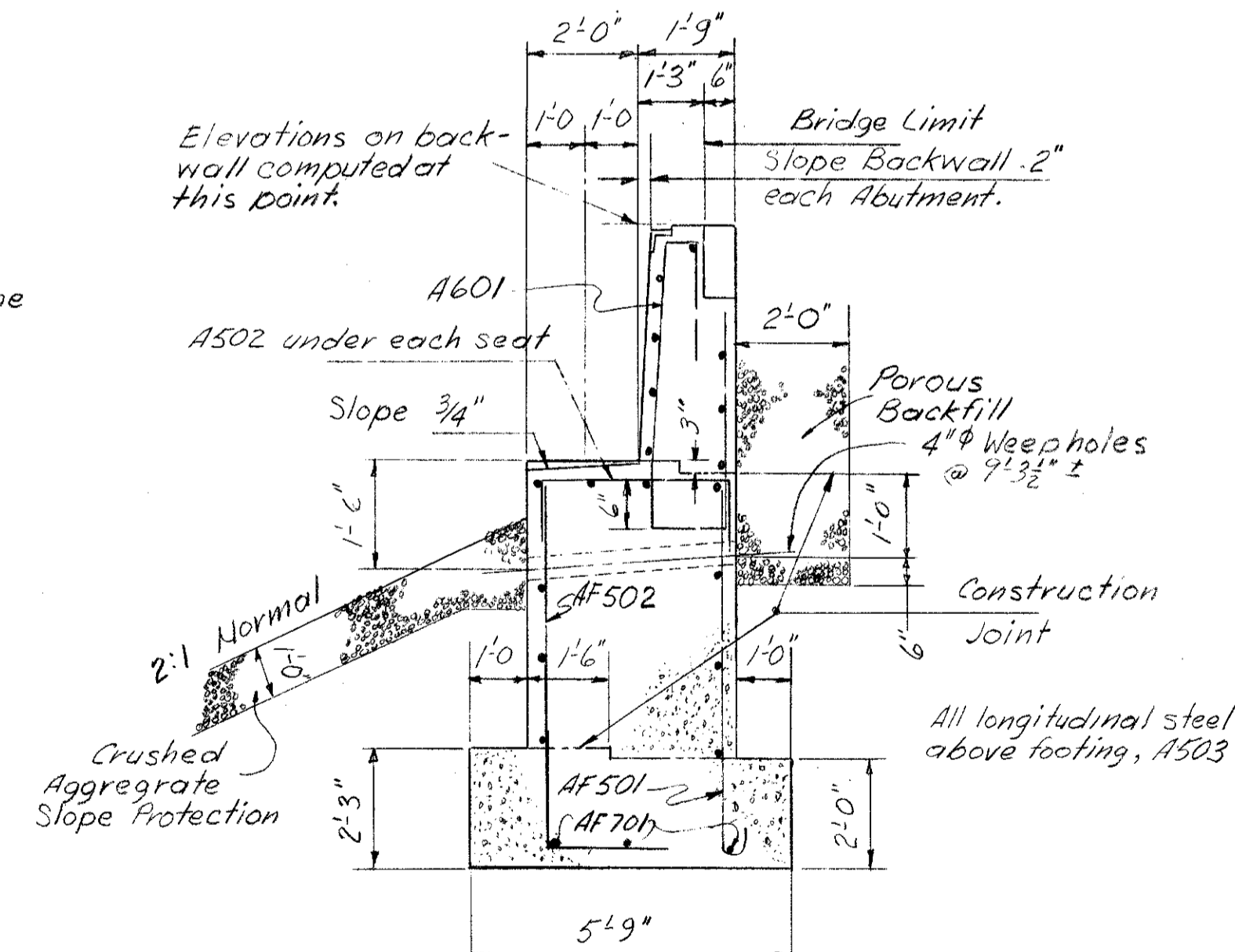
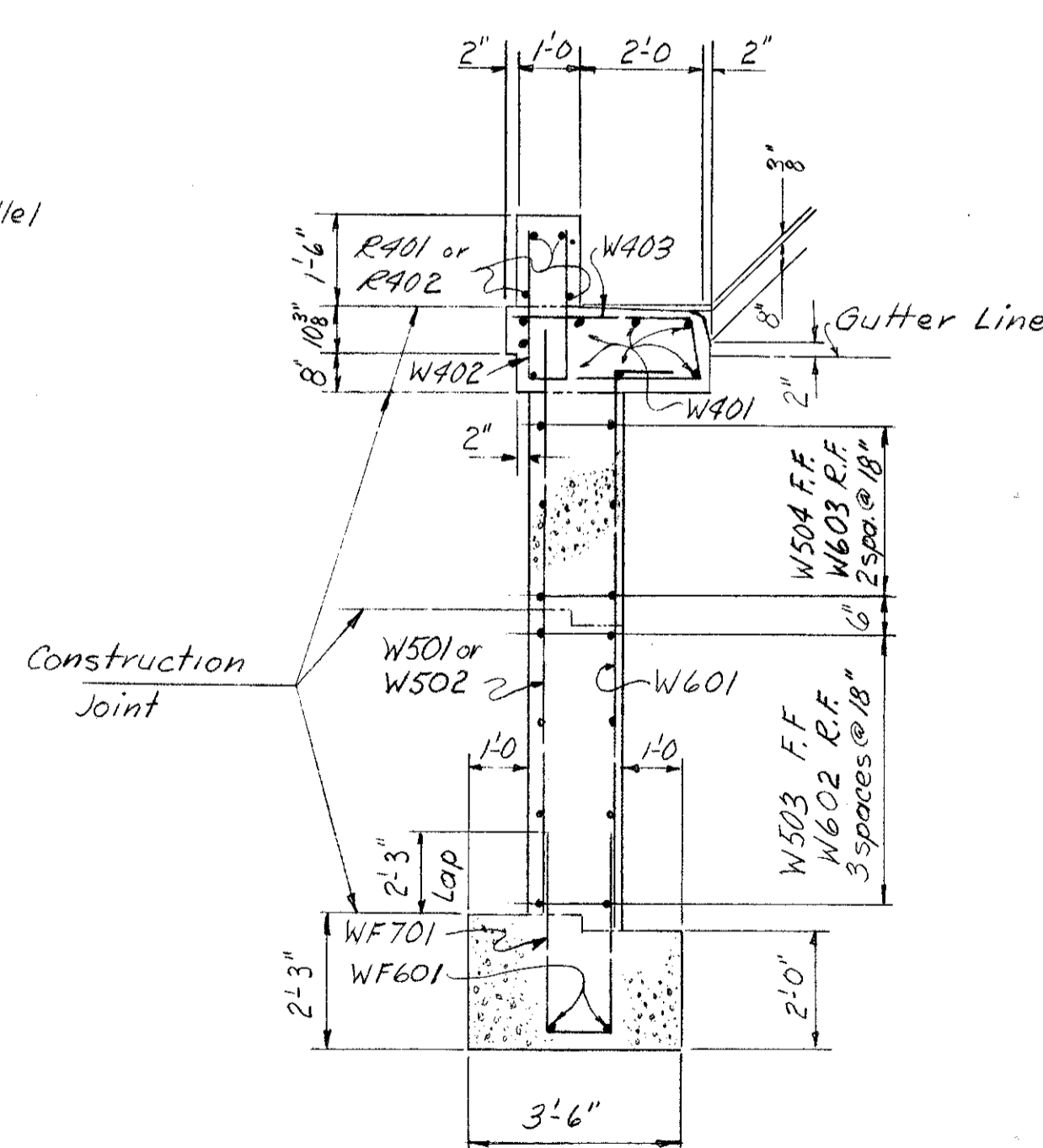
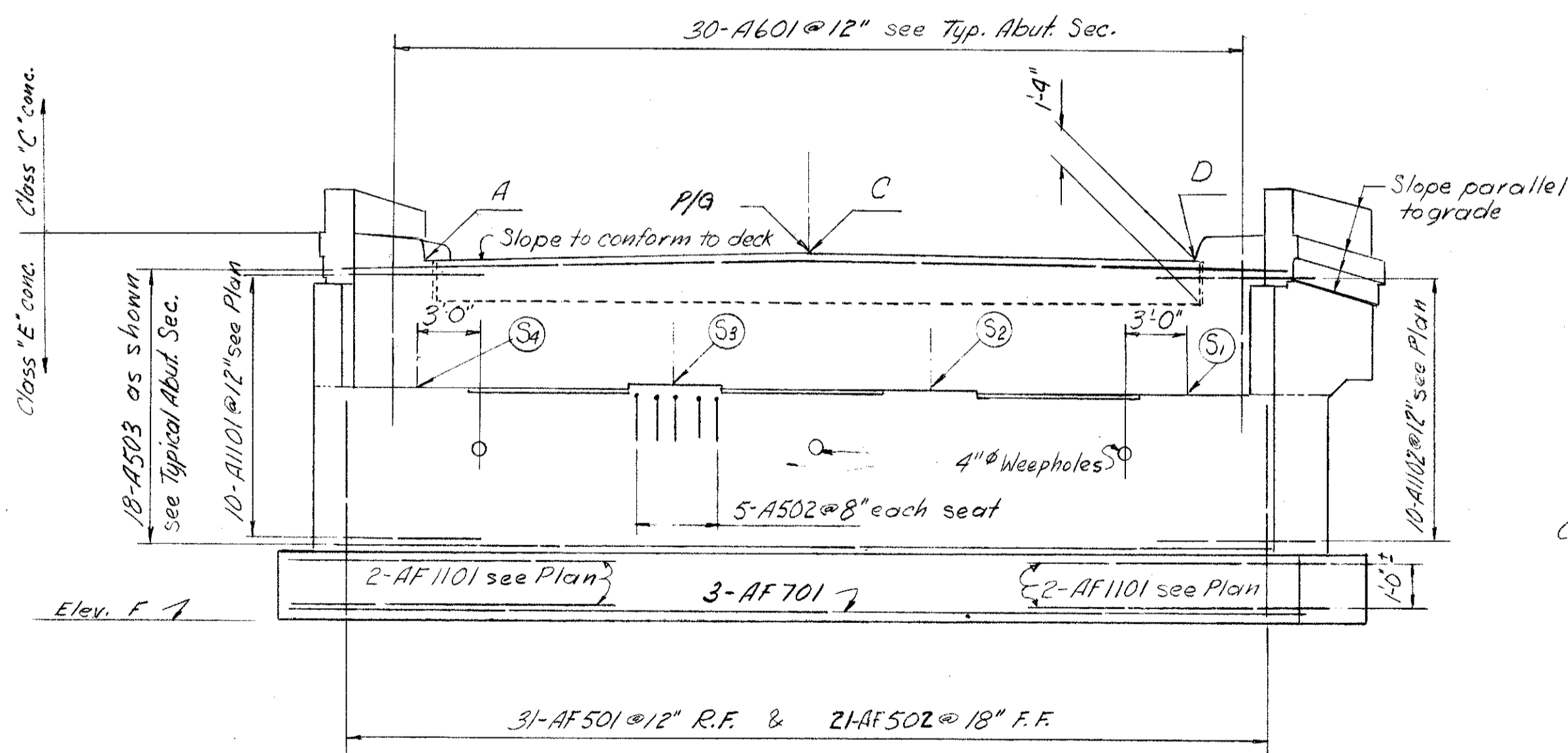
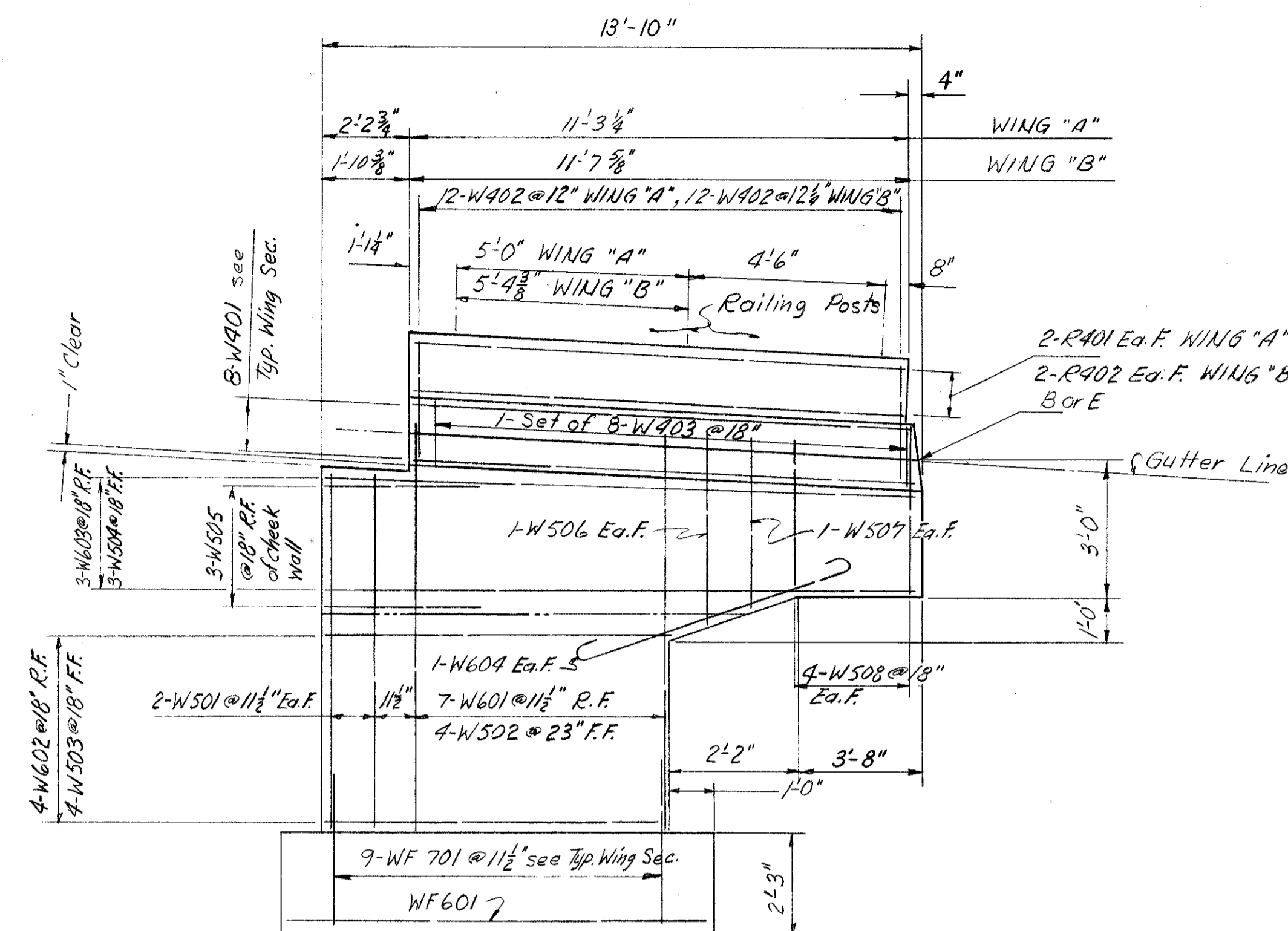
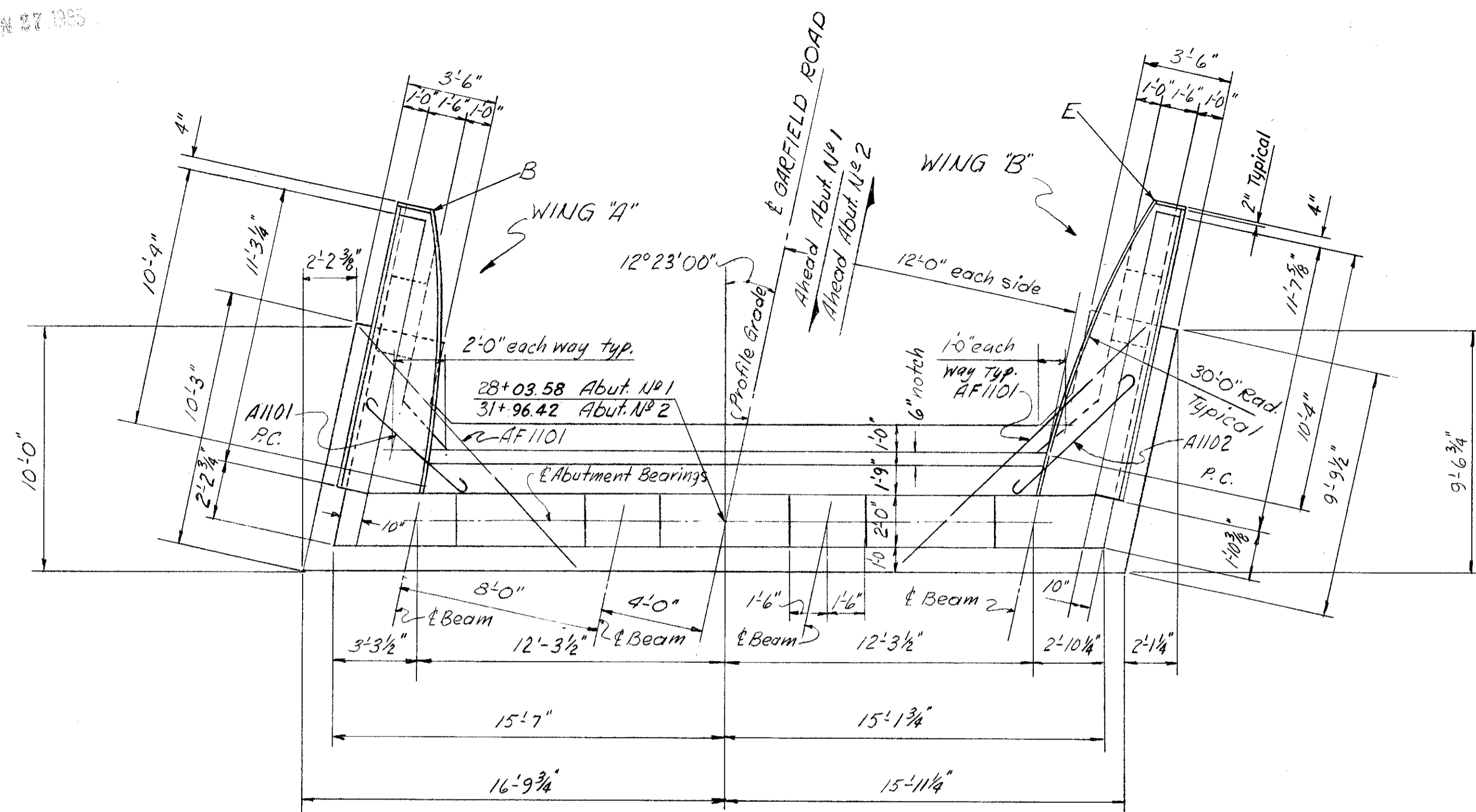


MICROFILMED
JUN 27 1965

FED. RD. DIVISION	STATE	PROJECT	
2	OHIO		

231
277

LAKE COUNTY
SEC. LAK-1-6.97



NOTES:

Design foundation pressure 2700/sq. ft.
Reinforcing steel shall have a minimum of 3" of cover in the footing and 2" elsewhere.
R.F. denotes Rear Face.
F.F. denotes Front Face.
Ea.F. denotes Each Face.
Concrete and reinforcing steel above parapet construction joint, include with railing for payment.

SEC. C-31

PREPARED BY
CAPITOL ENGINEERING ASSOCIATES, DILLSBURG, PA.
FOR

STATE OF OHIO
DEPARTMENT OF HIGHWAYS
DIVISION OF DESIGN AND CONSTRUCTION
BUREAU OF BRIDGES

ABUTMENTS
BRIDGE NO. LAK-1-0775
S. R. I. UNDER GARFIELD ROAD
LAKE COUNTY

STA 52 + 8216

DESIGNED	DRAWN	TRACED	CHECKED	REVIEWED DATE	REVISED
			J. G.		

ELEVATIONS										
	S ₁	S ₂	S ₃	S ₄	A	B	C	D	E	F
Abut. #1	784.17	784.36	784.43	784.38	788.51	787.98	788.59	788.30	787.75	776.92
Abut. #2	784.43	784.68	784.61	784.43	788.76	788.29	788.85	788.56	788.02	777.13