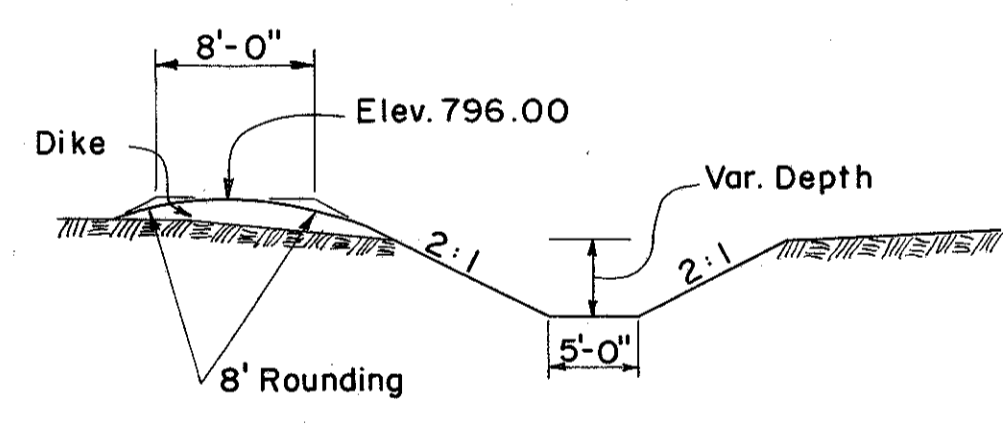
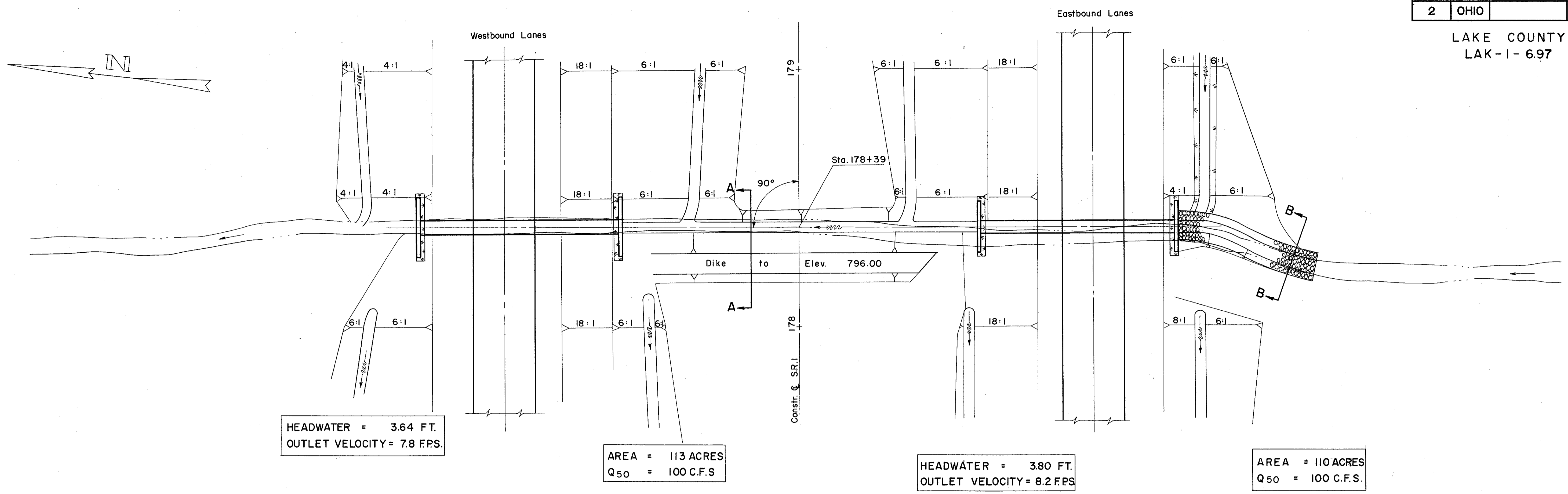
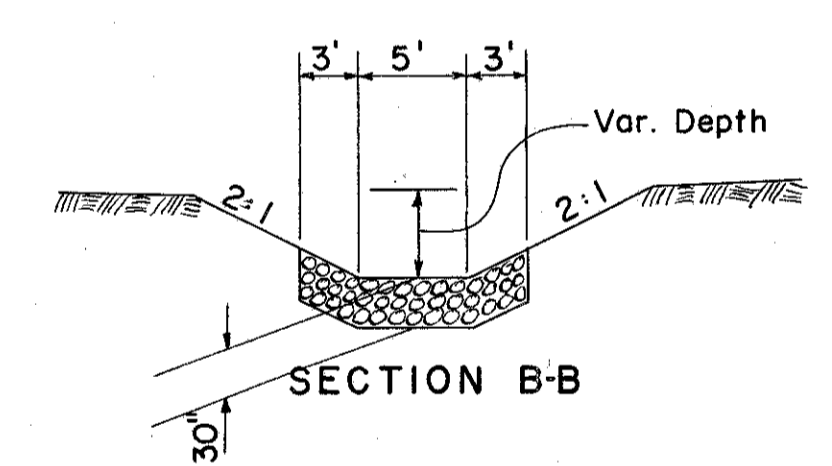


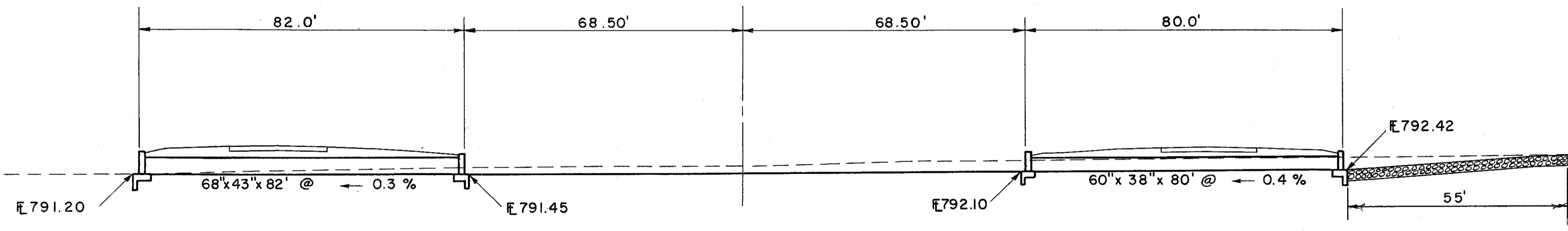
LAKE COUNTY
LAK-1-6.97



SECTION A-A



SECTION B-B



CULVERT DATA

TYPE: S-27, Sec. M-206.6(b) with Std. type "C" Headwalls.
 SIZE: 82' x 68" x 43"
 80' x 60" x 38"
 WORK REQUIRED: Build two pipe culverts with type "C" Headwalls. Place sodding and excavate channels as shown. Place dumped Rock Channel Protection Rt.

ESTIMATED QUANTITIES

* E-2	Excavation for Structures	126 Cu. Yd.
E-3	Channel Excavation	241 Cu. Yd.
L-10	Sodding	18 Sq. Yd.
S-1	Concrete for Structures, Class "C"	490 Cu. Yd.
S-4	Reinforcing Steel	2138 Lbs.
S-27	60" x 38" Pipe for Roadway Culverts Sec. M-206.6 (b)	80 Lin. Ft.
S-27	68" x 43" Pipe for Roadway Culverts Sec. M-206.6 (b)	82 Lin. Ft.
I-10	Dumped Rock Channel Protection	56 Cu. Yd.

*Includes Excavation for Headwalls