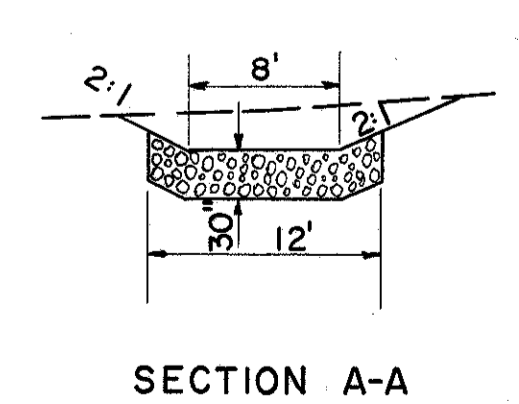
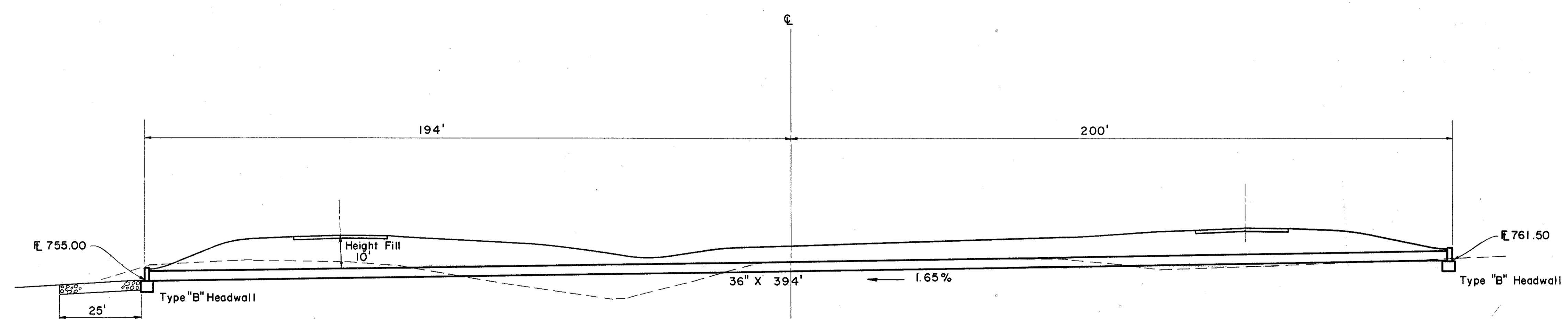


HEADWATER = 4.35 FT.
OUTLET VELOCITY = 13 FPS.

DRAINAGE AREA = 60 ACRES
Q₅₀ = 61 C.F.S.



CULVERT DATA

TYPE: S-27, Sec. M-6.6 (b) or Sec. M-6.8 (b)
 SIZE: 36" X 394'
 WORK REQUIRED: Build a Pipe Culvert with Type "B" Headwalls. Place Sod and excavate channel as shown. Place dumped rock at outlet.

ESTIMATED QUANTITIES

E-2	Excavation for Structures	263* C.Y.
E-3	Channel Excavation	** C.Y.
I-10	Dumped Rock Channel Protection	28 C.Y.
L-10	Sodding	7 S.Y.
S-1	Concrete for Structures, Class "C"	16.9 C.Y.
S-4	Reinforcing Steel	771 LBS.
S-27	36" Pipe for Roadway Culverts Sec. M-6.6 (b) or Sec. M-6.8 (b)	394 L.F.

* Includes Excavation for Headwalls
 ** For E-3 Quantity, See Sheet No. 14
 NOTE: For Details and Quantities of Headwalls, See Sheet No. 223