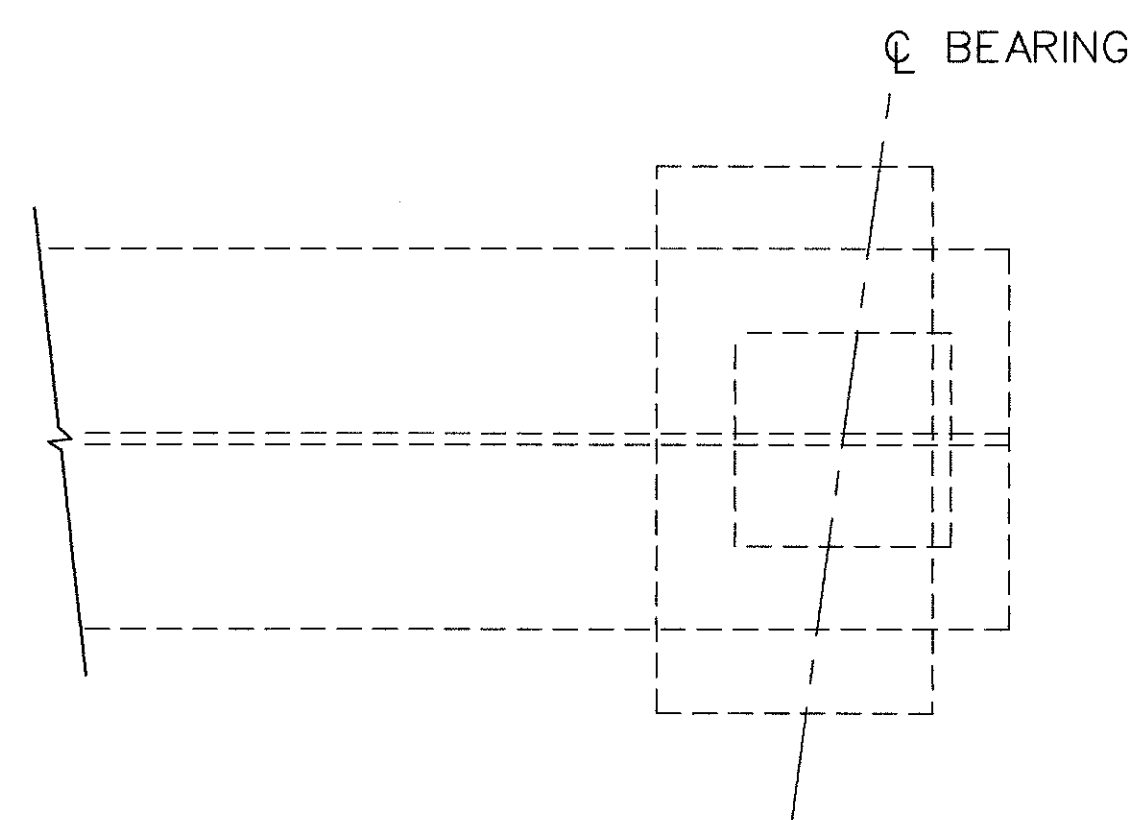
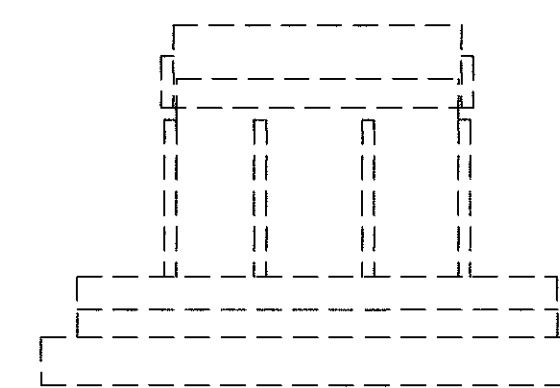


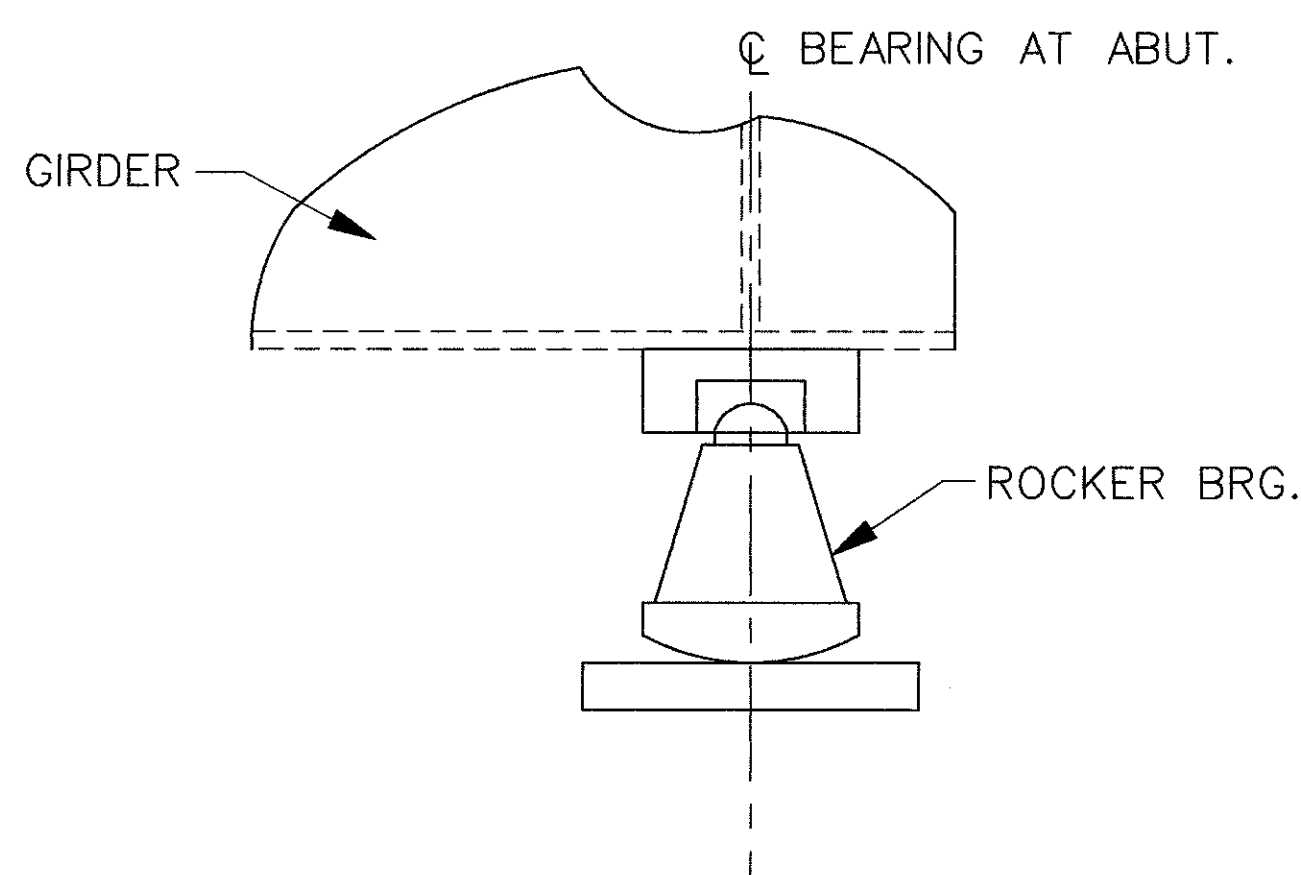
EXISTING SIDE ELEVATION



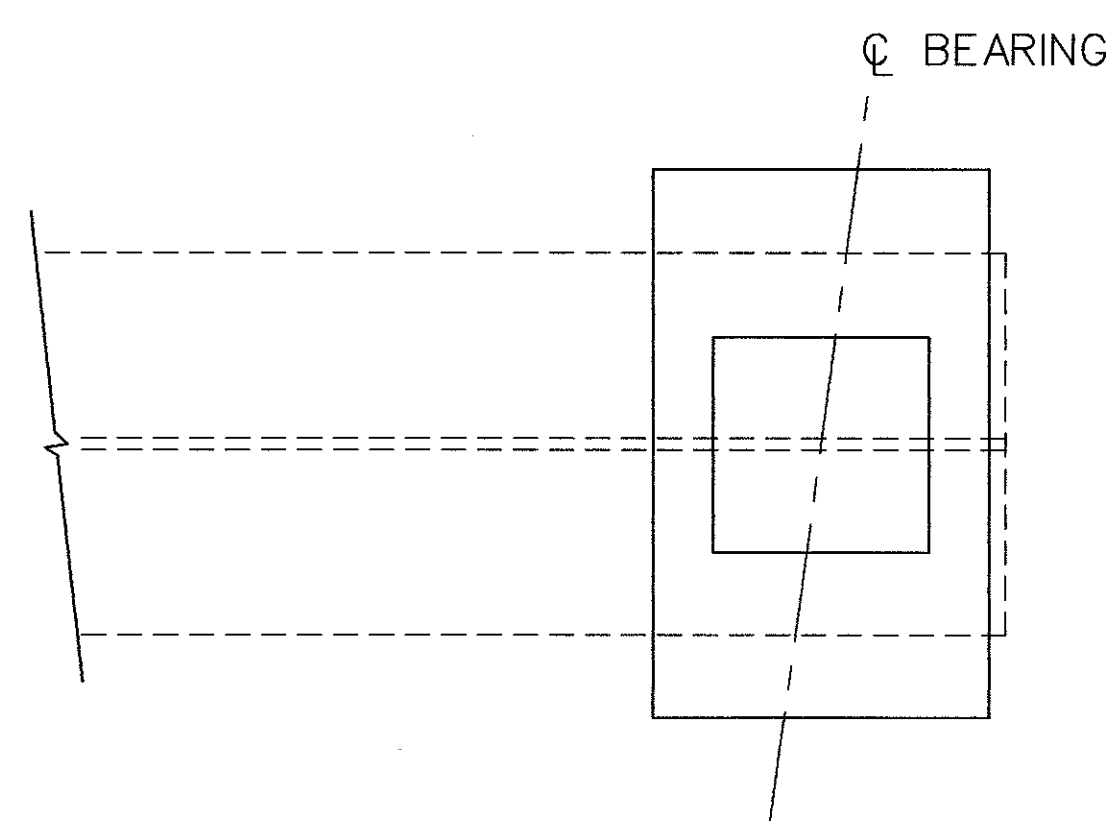
EXISTING PLAN VIEW



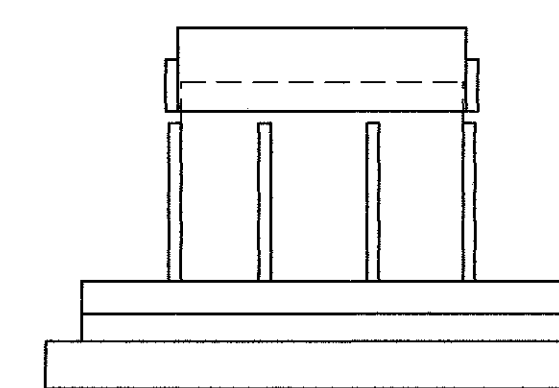
EXISTING REAR ELEVATION




RESET SIDE ELEVATION



RESET PLAN



RESET REAR ELEVATION

 RALPH C. TYLER, P.E., P.S., INC.
CIVIL ENGINEERS & LAND SURVEYORS
2143 FAIRHILL RD., CLEVELAND, OHIO 44106

RESETTING BEARING DETAILS

LAK-90-0711

LAK-90-1031 LAK-90-0767
LAK-90-1151 LAK-90-1007

DESIGNED		DRAWN	CHECKED	REVIEWED	REVISED
R.J.K.		R.L.	K.P.	R.C.T.	
			DATE		SHEET