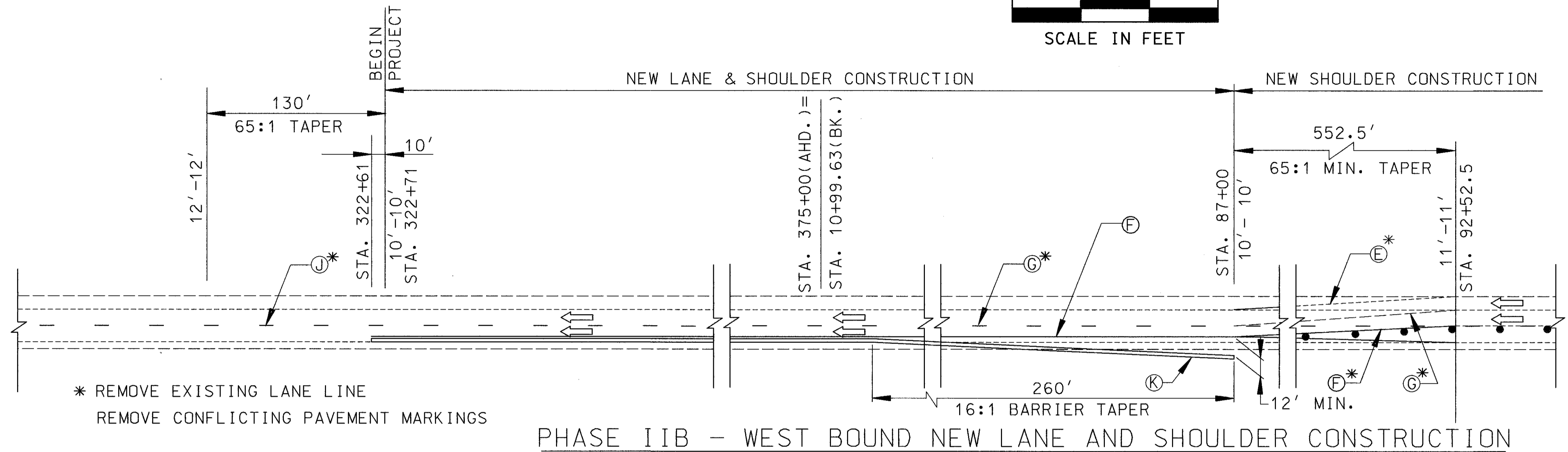
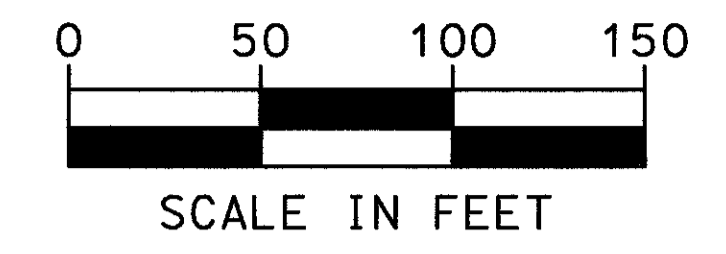


TRAFFIC MAINTENANCE

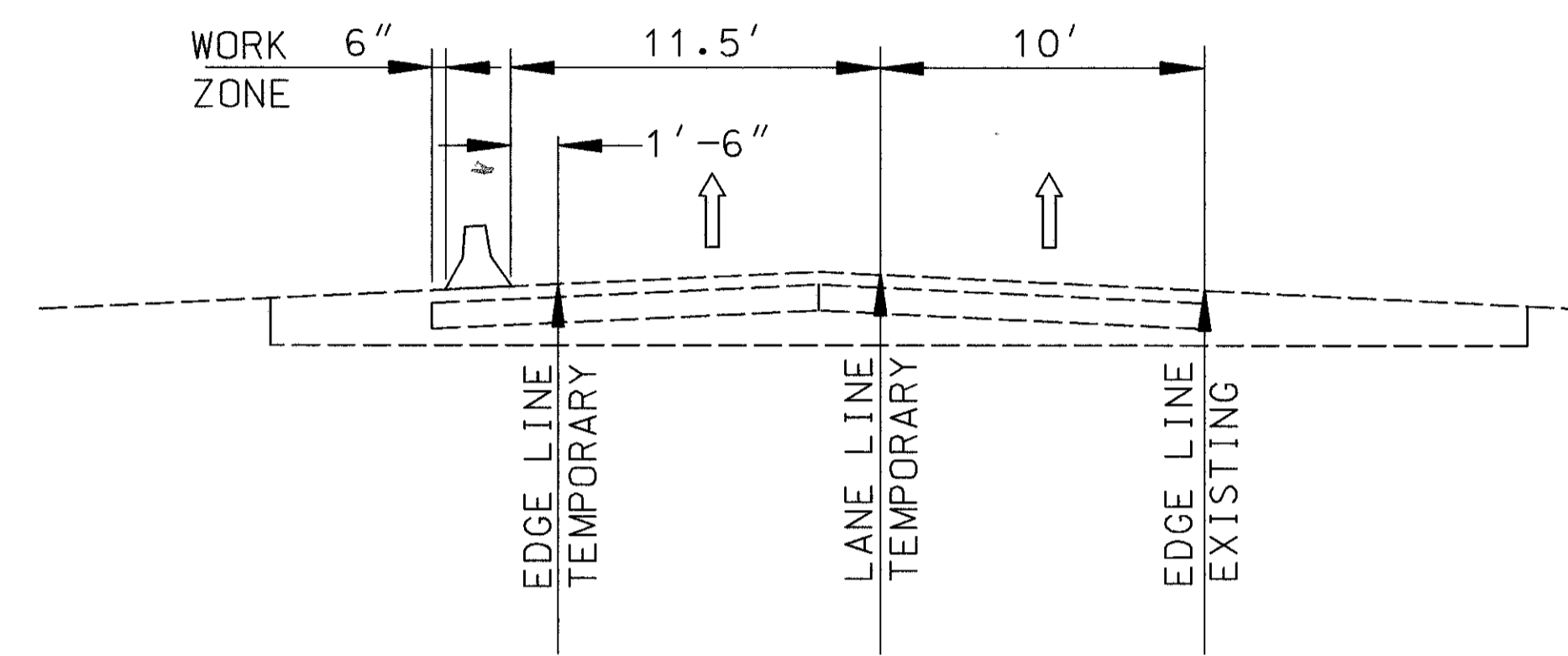


* REMOVE EXISTING LANE LINE
REMOVE CONFLICTING PAVEMENT MARKINGS

PHASE IIB - WEST BOUND NEW LANE AND SHOULDER CONSTRUCTION

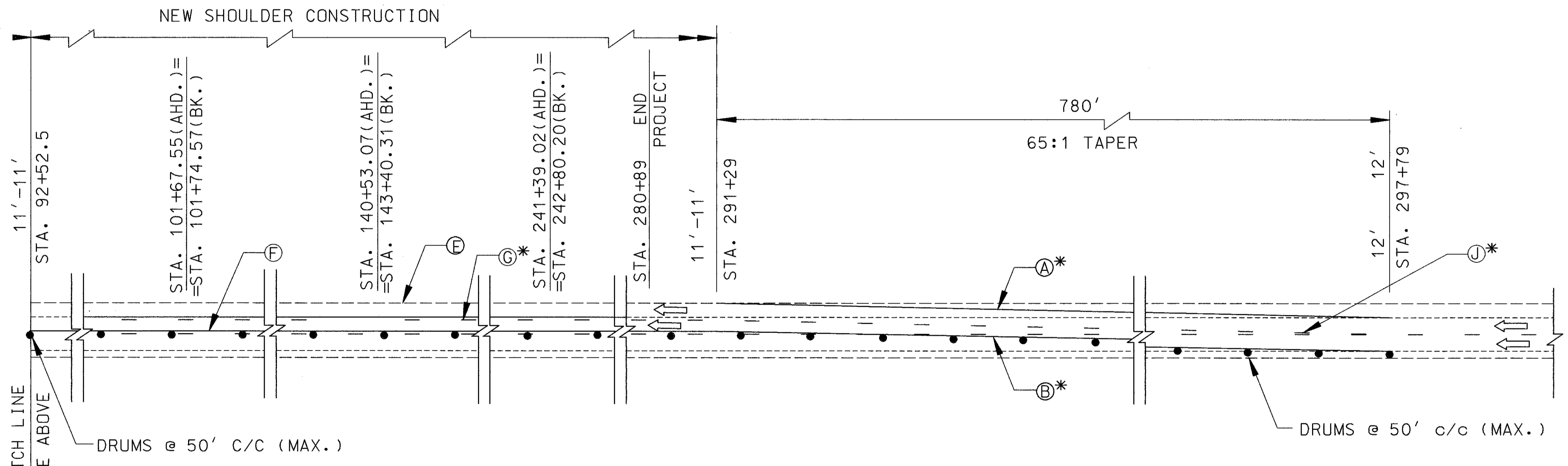
NOTE: SEE CONSTRUCTION SEQUENCES AND SCHEDULE OF THRU LANES.

MATCH LINE
SEE BELOW



PHASE IIB

STA. 322+61 TO STA. 87+00

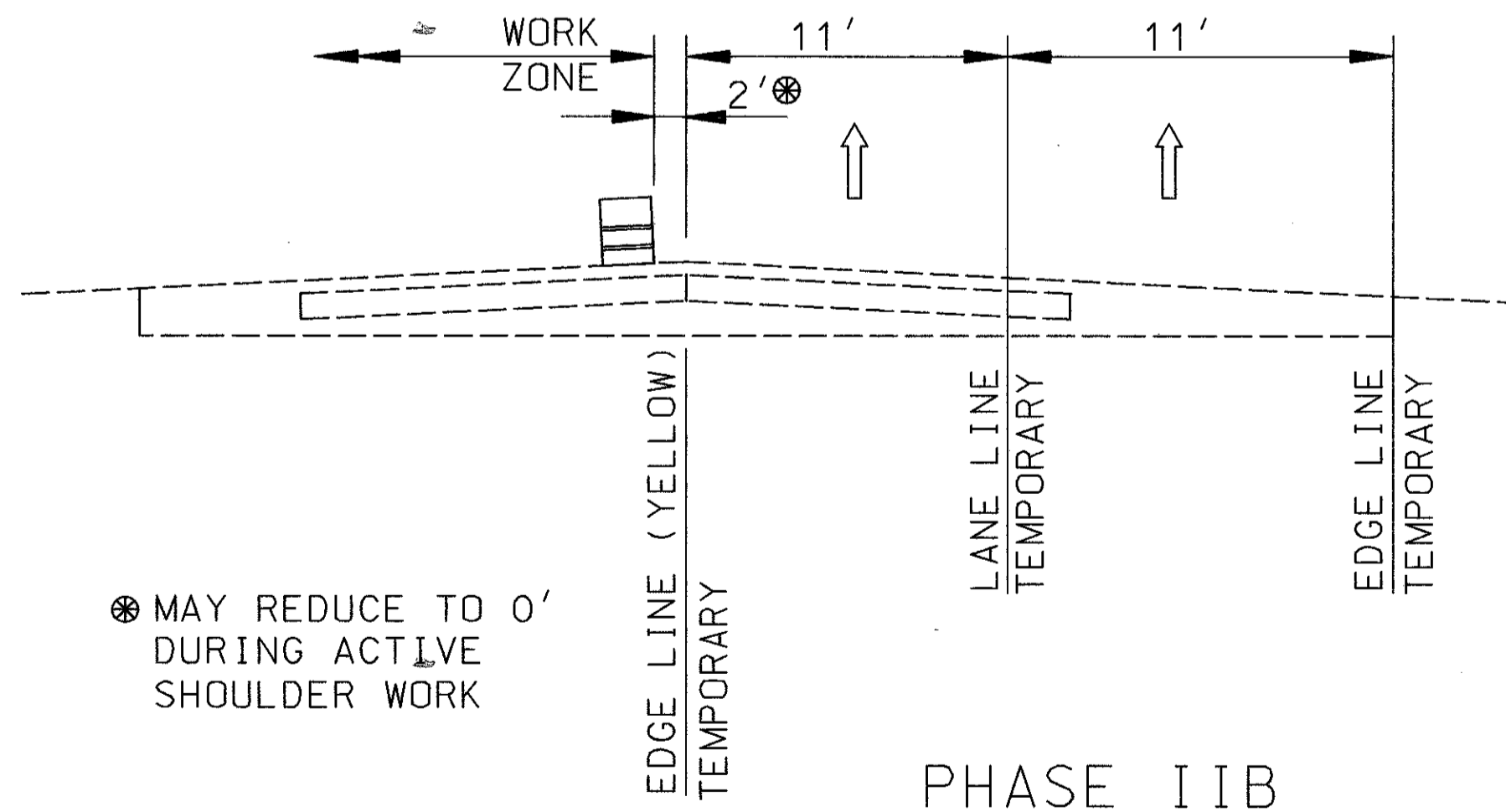


MATCH LINE
SEE ABOVE

DRUMS @ 50' C/C (MAX.)

PHASE IIB - WEST BOUND NEW SHOULDER CONSTRUCTION

NOTE: SEE CONSTRUCTION SEQUENCES AND SCHEDULE OF THRU LANES.



* MAY REDUCE TO 0' DURING ACTIVE SHOULDER WORK

PHASE IIB

STA. 87+00 TO STA. 280+89

REFERENCES:

ITEM	SHT. NO
TRAFFIC MAINTENANCE NOTES	155-156
TRAFFIC MAINTENANCE QUANTITIES	157
TEMPORARY PAVEMENT MARKINGS	159