

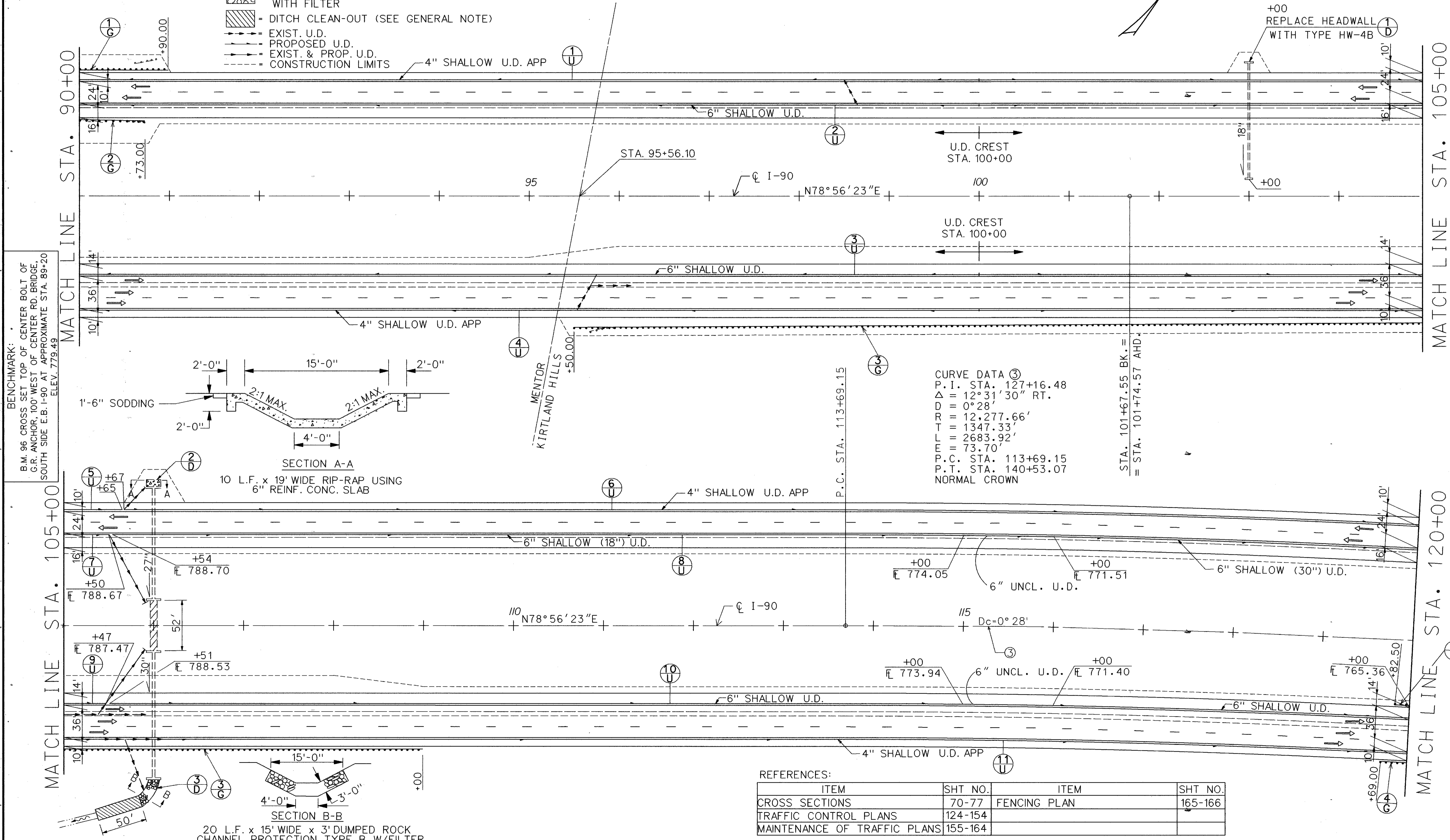
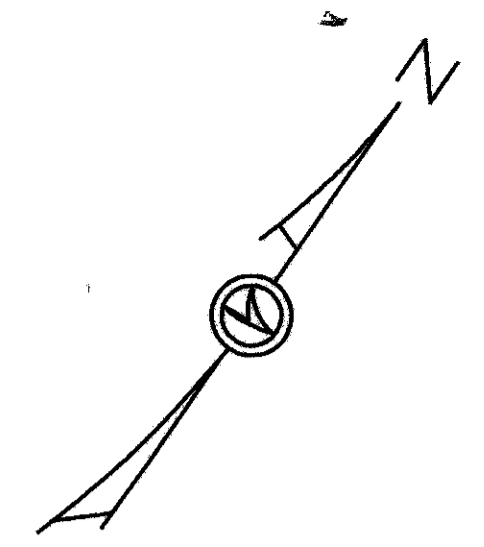
PLAN SHEET

LAKE COUNTY
LAK-90-6.71

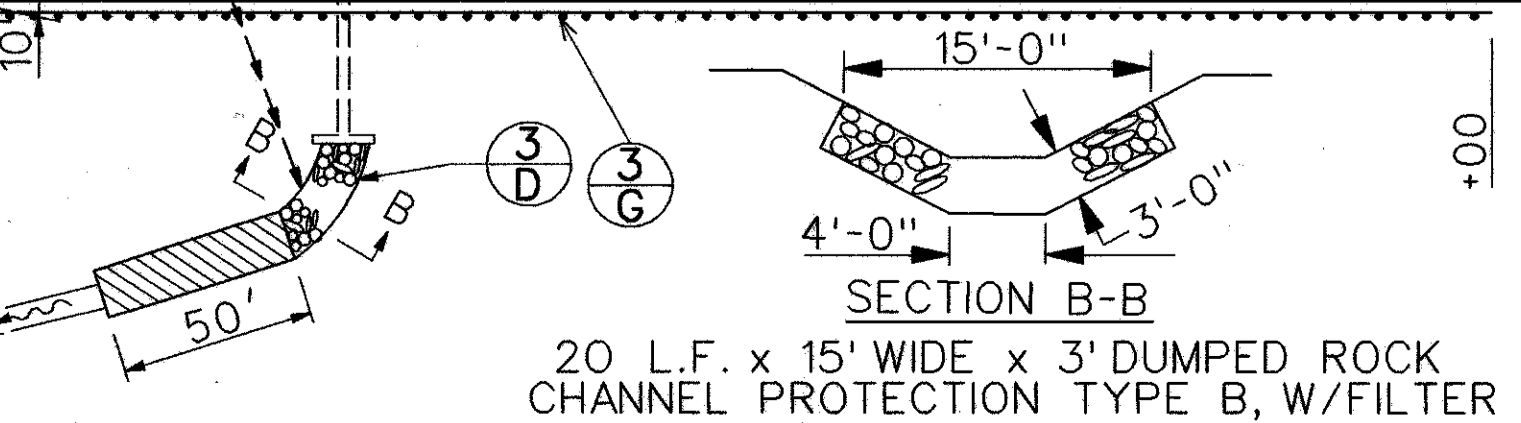
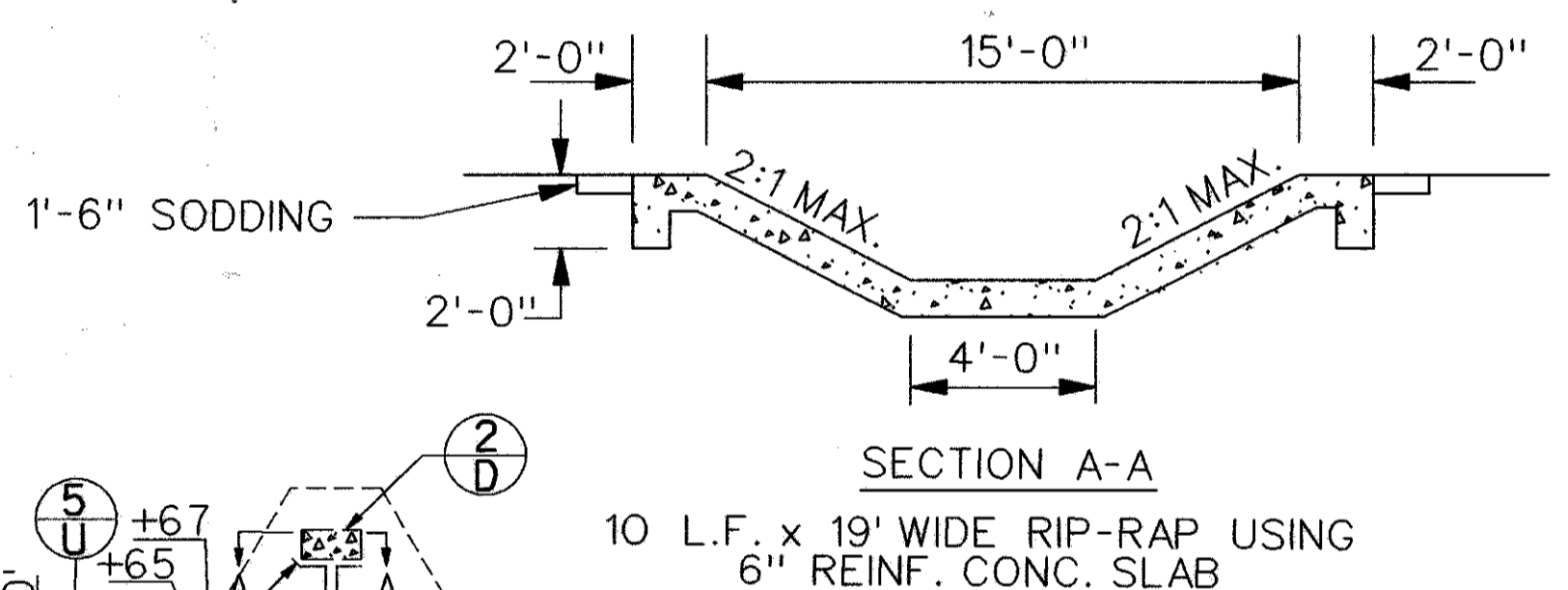
OHIO
FHWA
REGION 5
27
182

LEGEND:

- ○ = EXISTING C.B. OR M.H.
- ● = C.B. OR M.H. ADJUSTED/RECONSTRUCTED TO GRADE AS PER PLAN
- = NEW C.B. OR M.H.
- ⊗ = NEW C.B. OR M.H. CASTING
- ▨ = ROCK CHANNEL PROTECTION, TYPE B, WITH FILTER
- ▩ = DITCH CLEAN-OUT (SEE GENERAL NOTE)
- = EXIST. U.D.
- - - = PROPOSED U.D.
- · - · = EXIST. & PROP. U.D.
- = CONSTRUCTION LIMITS



BENCHMARK:
B.M. 96 CROSS SET TOP OF CENTER BOLT OF
G.R. ANCHOR, 100' WEST OF CENTER RD. BRIDGE,
SOUTH SIDE E.B. I-90 AT APPROXIMATE STA. 89+20
ELEV. 779.49



CURVE DATA ③
P.I. STA. 127+16.48
Δ = 12° 31' 30\"/>

REFERENCES:

ITEM	SHT NO.	ITEM	SHT NO.
CROSS SECTIONS	70-77	FENCING PLAN	165-166
TRAFFIC CONTROL PLANS	124-154		
MAINTENANCE OF TRAFFIC PLANS	155-164		