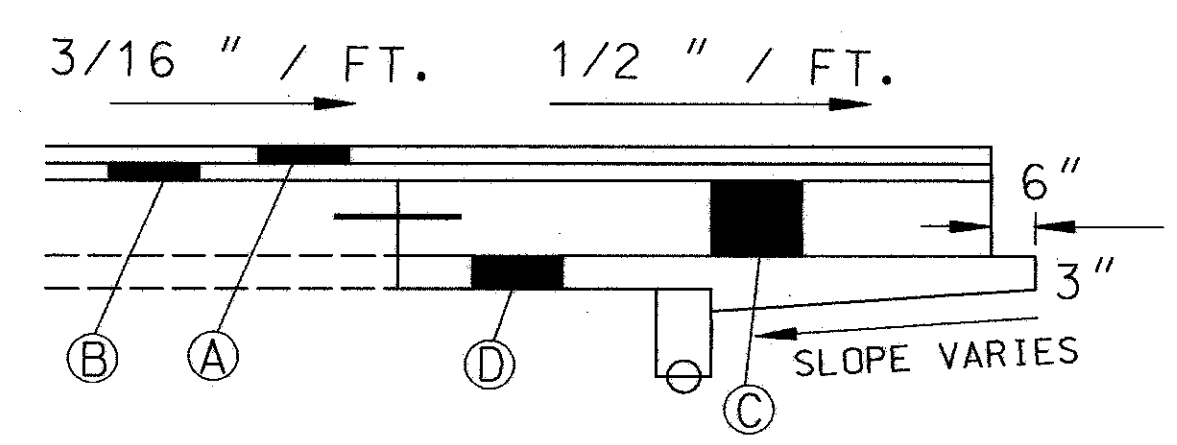
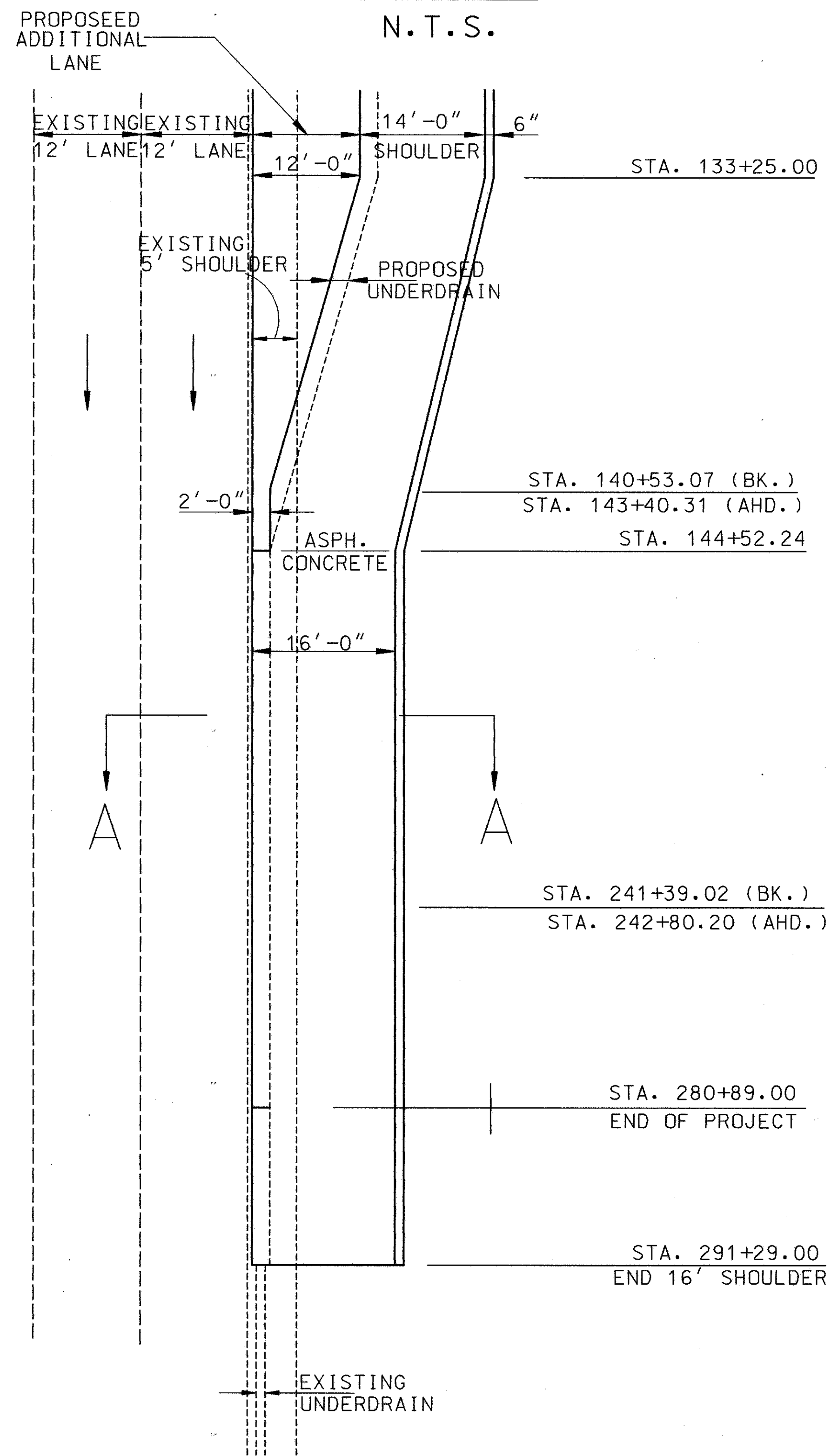


LANE TRANSITION DETAILS

EAST BOUND

N.T.S.



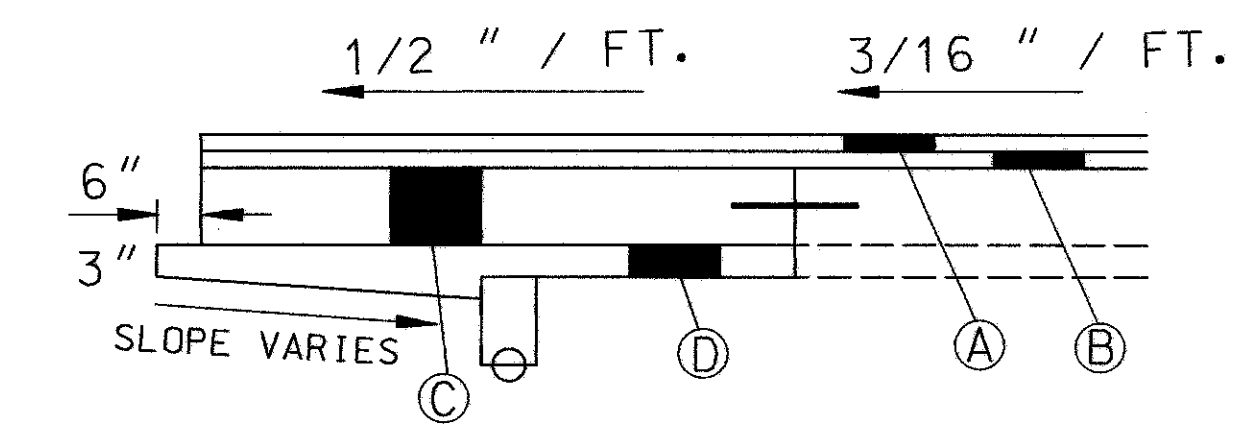
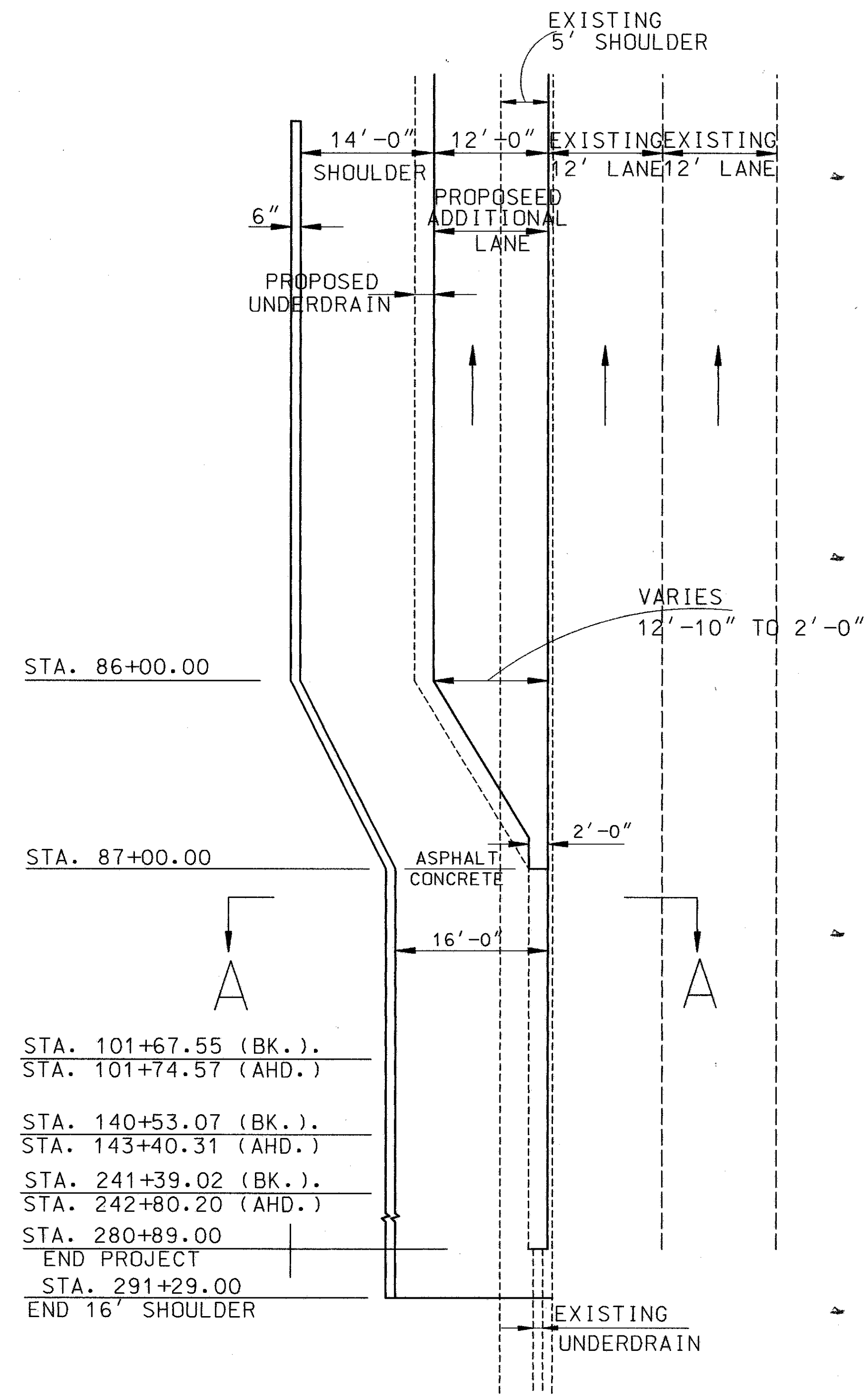
SECTION A-A

FOR LEGEND SEE SHEET 4 OF 182

LANE TRANSITION DETAILS

WEST BOUND

N.T.S.



SECTION A-A

FOR LEGEND SEE SHEET 4 OF 182

T:\DGN\LAK-90\TYPICAL\5774GMA.DGN

T:\DGN\LAK-90\TYPICAL\5774GMA.DGN