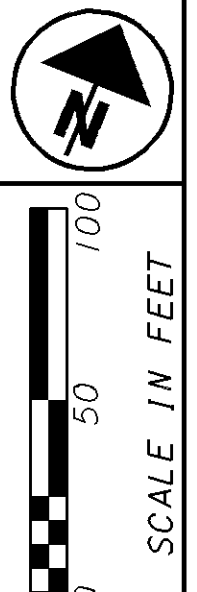
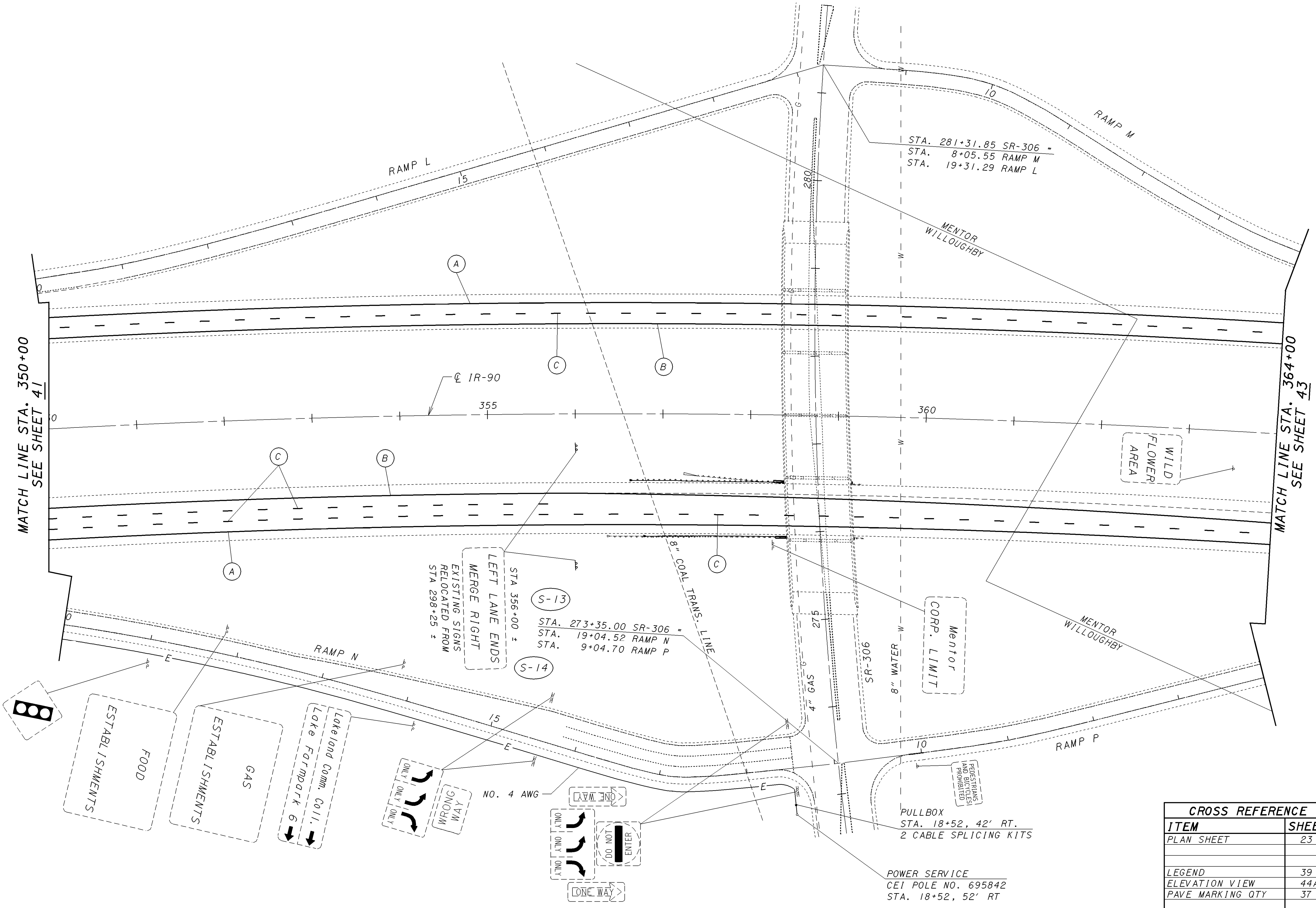


PLOTTED FROM: I:\PROJECTS\PI\23129\23129tpd.dgn

MATCH LINE STA. 350+00
SEE SHEET 41

MATCH LINE STA. 364+00
SEE SHEET 43



CALCULATED
EMK
CHECKED
LDH

TRAFFIC CONTROL SHEET - I.R. 90
STA. 350+00 TO STA. 364+00

LAK-90-6.71

CROSS REFERENCE	
ITEM	SHEET
PLAN SHEET	23
LEGEND	39
ELEVATION VIEW	44A
PAVE MARKING QTY	37

42
45

STA. 281+31.85 SR-306 =
STA. 8+05.55 RAMP M
STA. 19+31.29 RAMP L

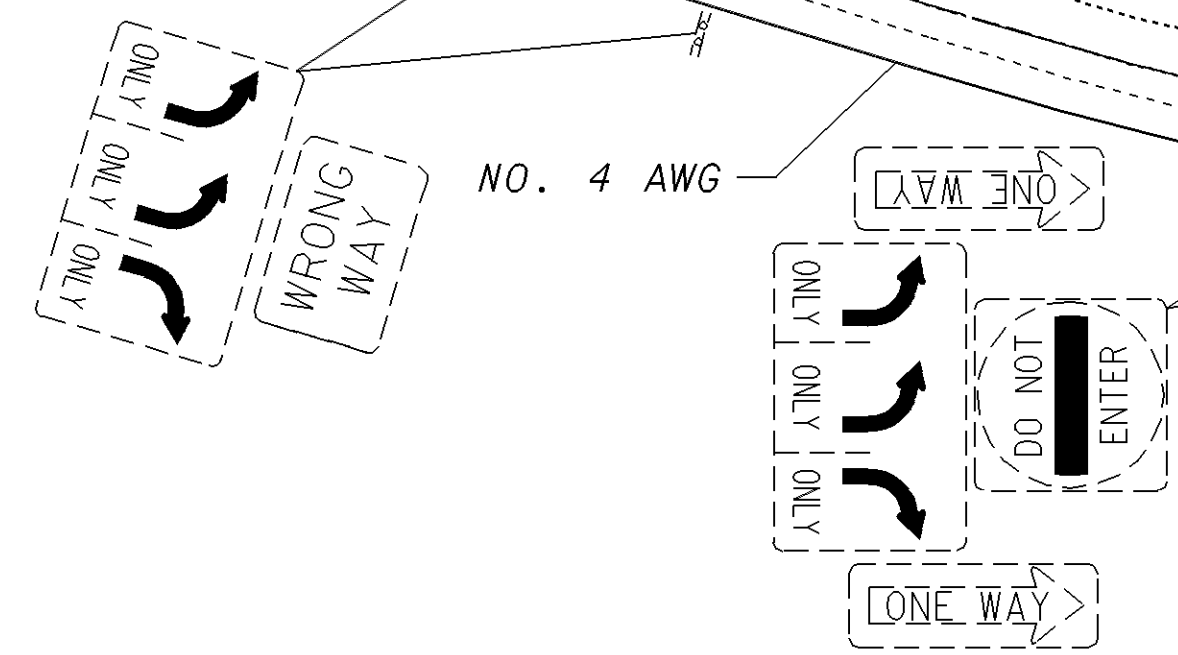
STA. 273+35.00 SR-306 =
STA. 19+04.52 RAMP N
STA. 9+04.70 RAMP P

LEFT LANE ENDS
MERGE RIGHT
EXISTING SIGNS
RELOCATED FROM
STA 298+25 ±

PULLBOX
STA. 18+52, 42' RT.
2 CABLE SPLICING KITS

POWER SERVICE
CEI POLE NO. 695842
STA. 18+52, 52' RT

ESTABLISHMENTS
FOOD
GAS
Lake Farmpark 6
Lake land Comm. Coll.



NO. 4 AWG

Mentor
CORP. LIMIT

WILD
FLOWER
AREA