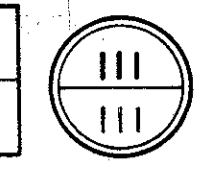
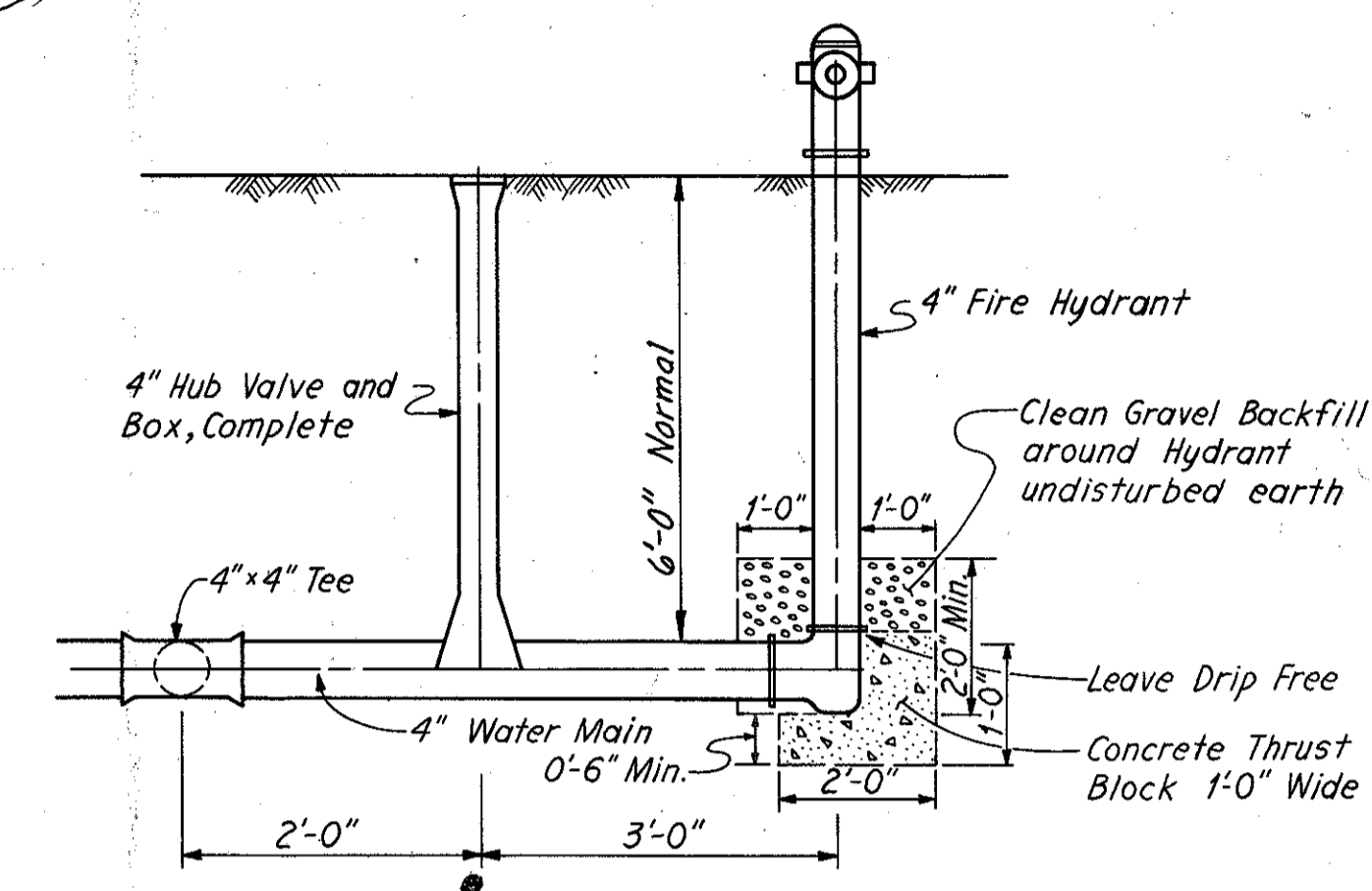


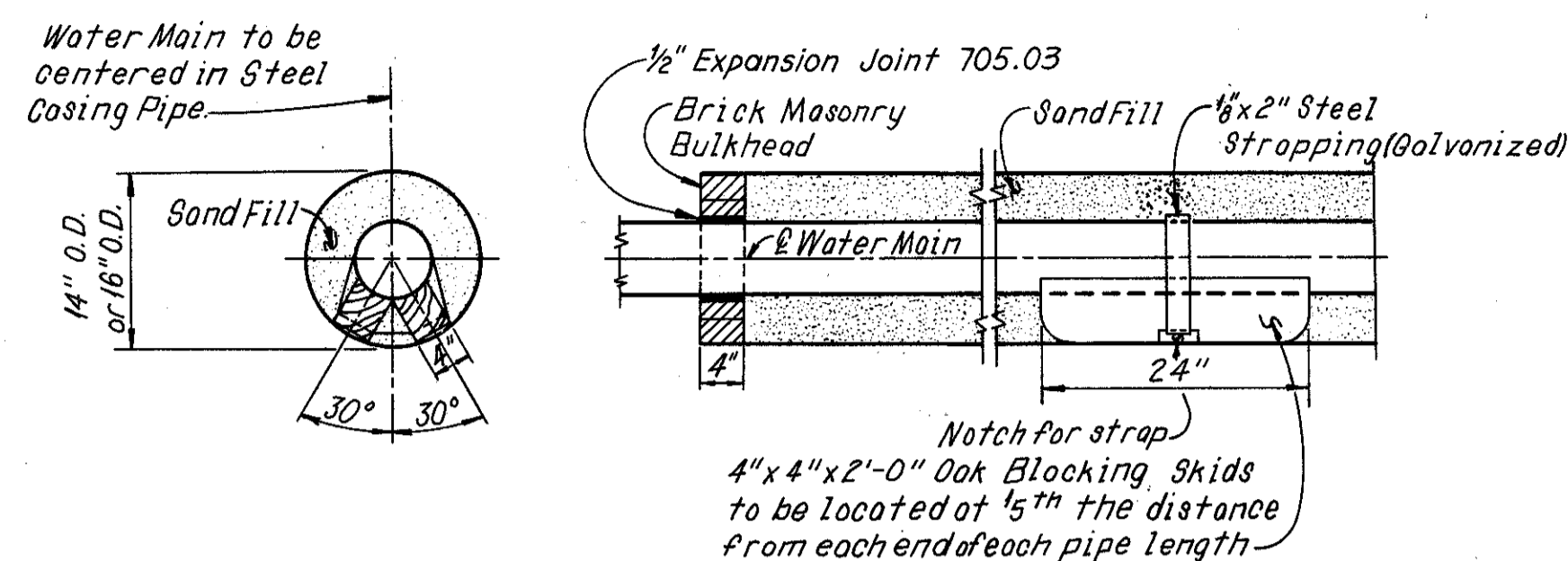
FED. RD. DIVISION	STATE	PROJECT	
5	OHIO		



LAKE COUNTY
LAK.-90-3.56

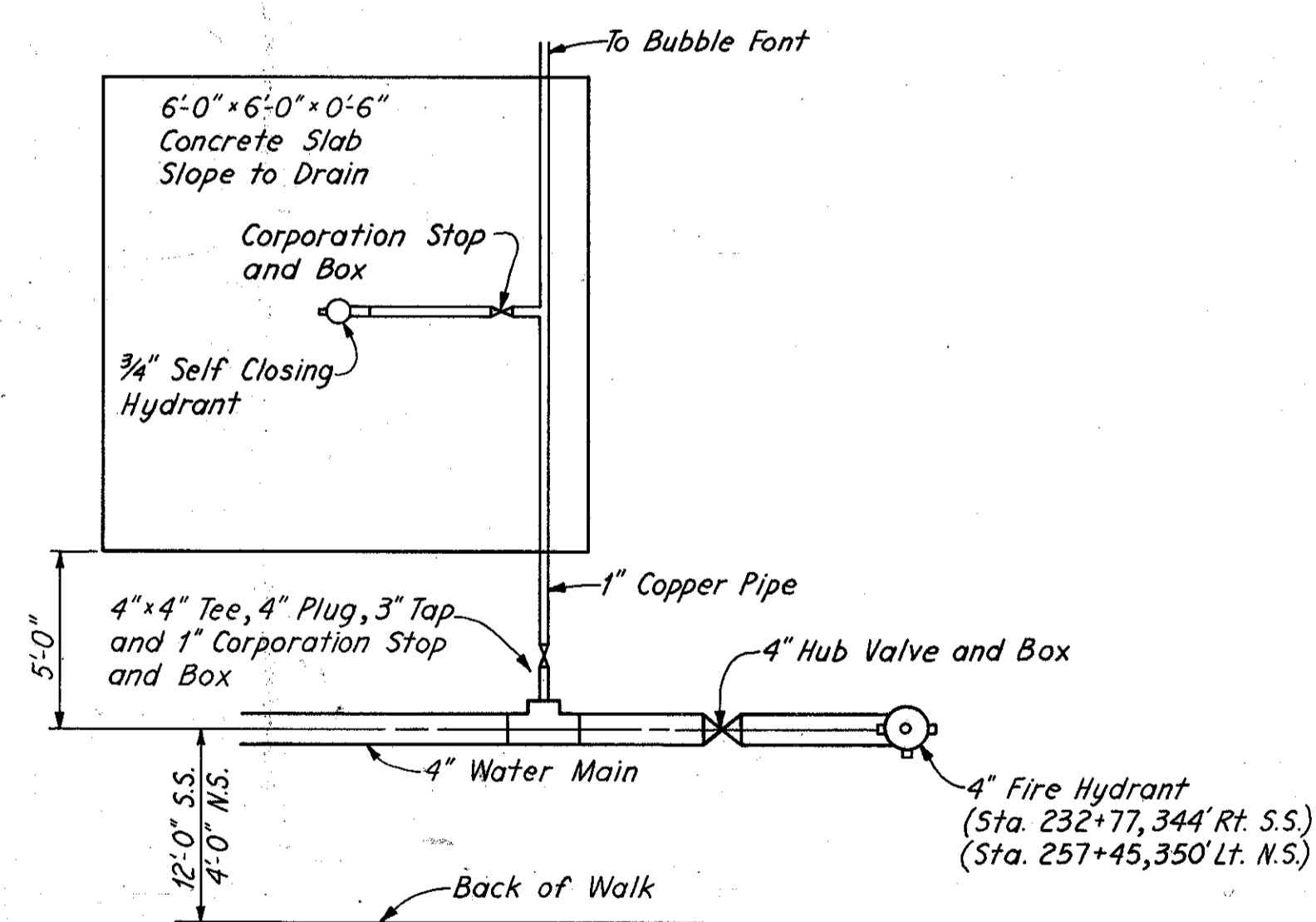
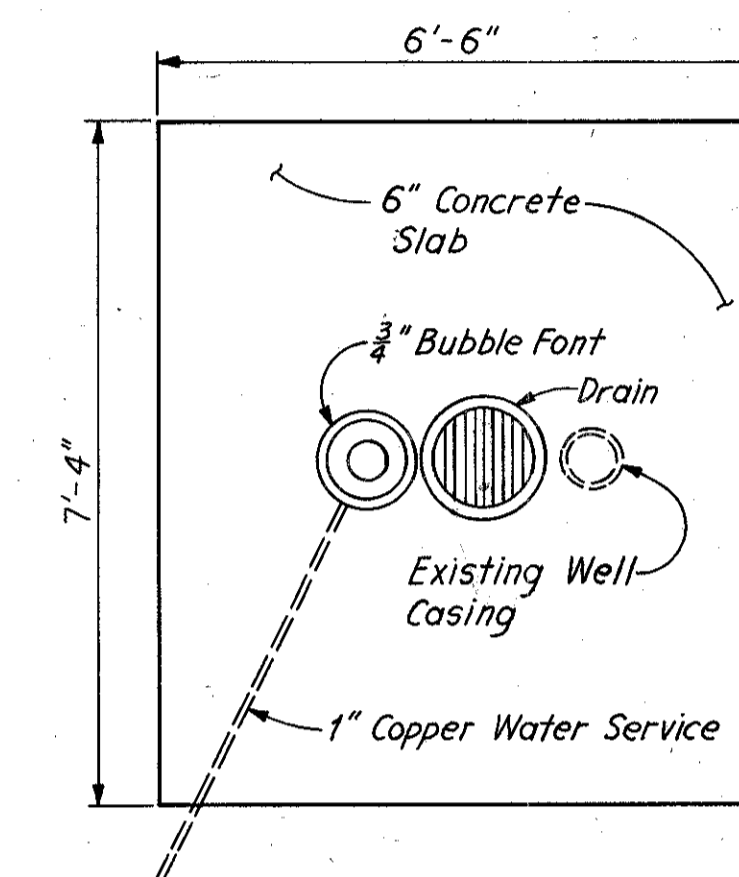


FIRE HYDRANT AND BRANCH VALVE
No Scale



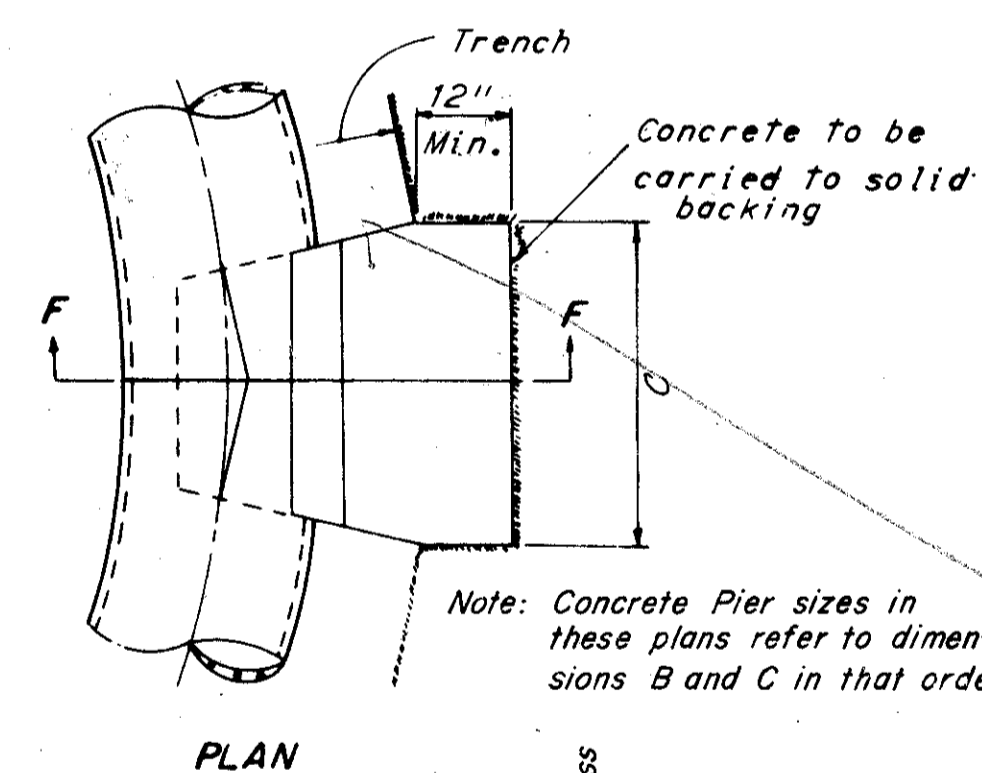
Note:
Steel Encasement Pipe shall be A.S.T.M. A-53 Grade B;
For 16" O.D., T=0.50" (use on 6" Water Main)
For 14" O.D., T=0.438" (use on 4" Water Main)

WATER MAIN ENCASEMENT
No Scale

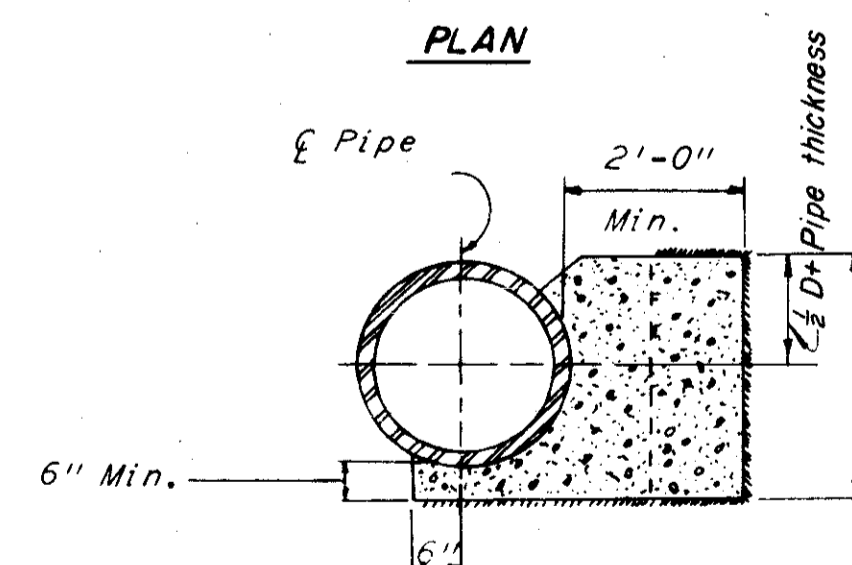


Note: S.S. = South Side Rest Area
N.S. = North Side Rest Area

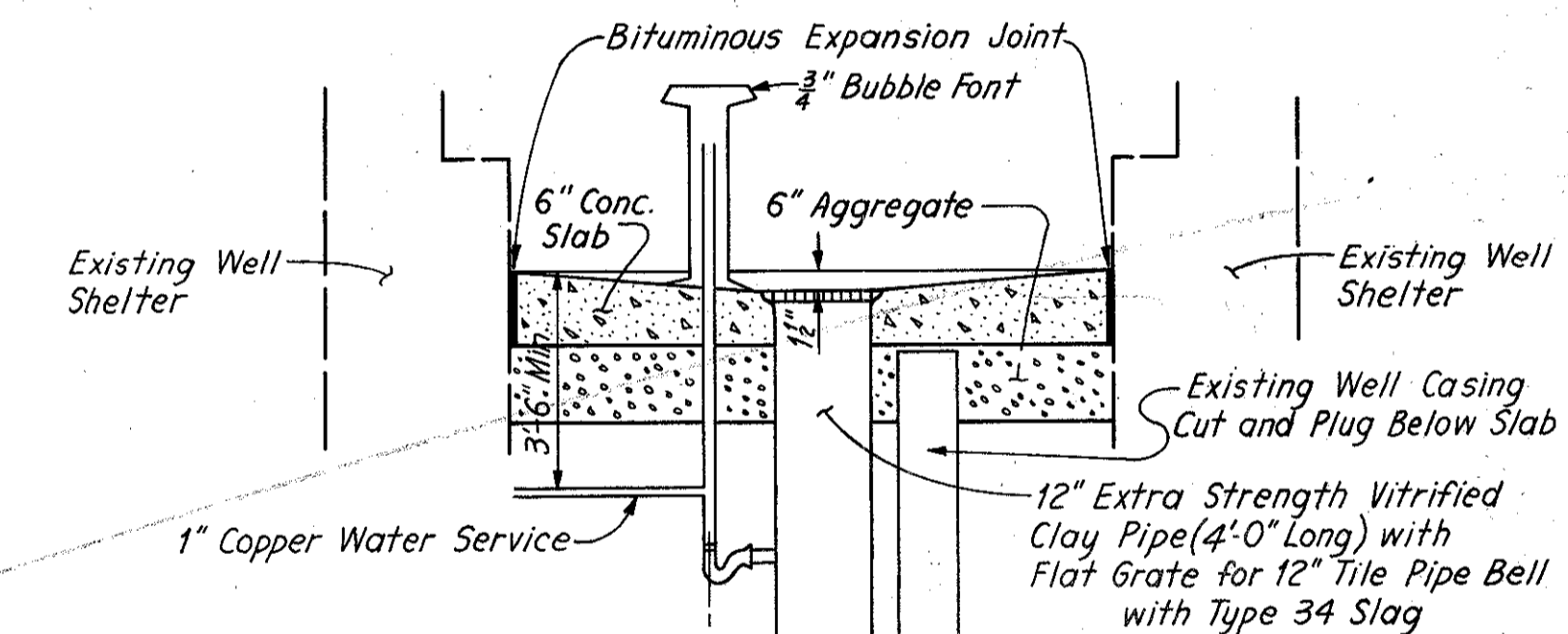
FIRE HYDRANT AND SELF CLOSING HYDRANT DETAILS
No Scale



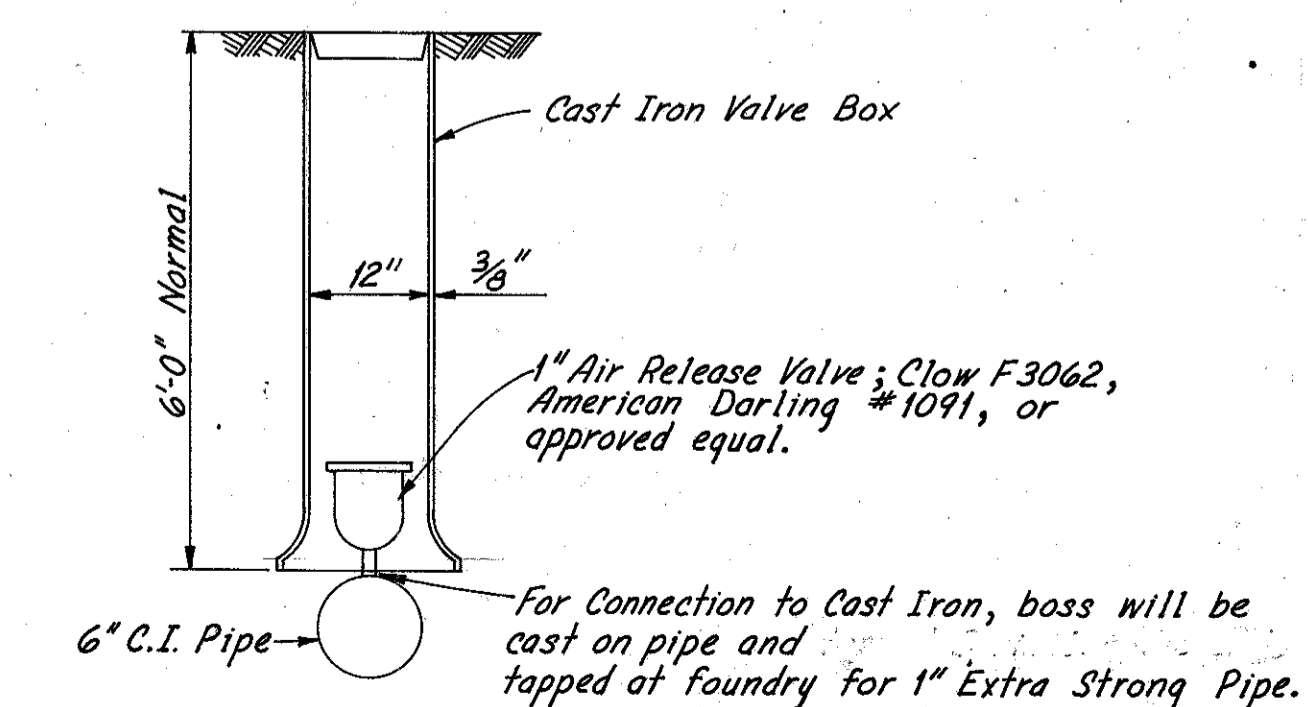
Note: Concrete Pier sizes in these plans refer to dimensions B and C in that order.



CONCRETE PIER FOR HORIZONTAL BENDS AND BRANCH TEES



BUBBLE FONT
(To be located within existing well shelter)
No Scale



1" AIR RELEASE VALVE ASSEMBLY
No Scale