

LIGHT POLE UPGRADING

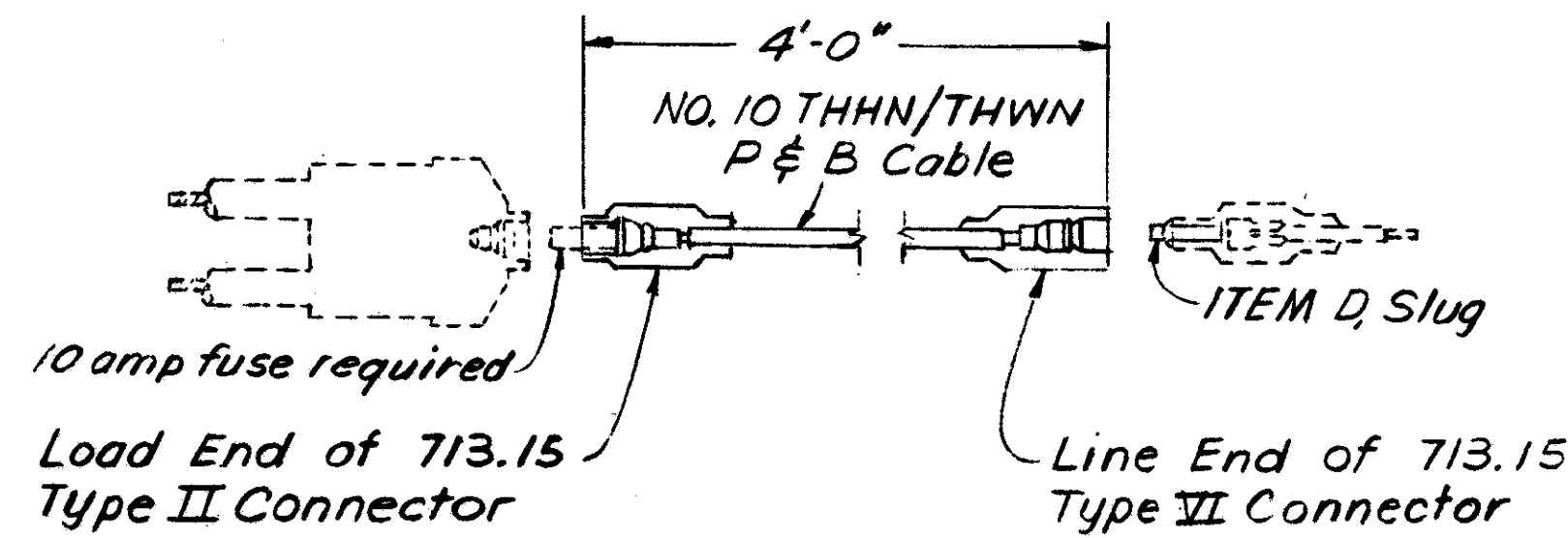
LAK-90-3.56

106A
111

WHERE AT-X BASE IS BEING ADDED THE EXISTING WIRING SHALL BE MODIFIED WITH THE CABLE EXTENSION KITS AND ITEMS DETAILED BELOW:

EXTENSION KIT "A" FOR ENERGIZED CABLE

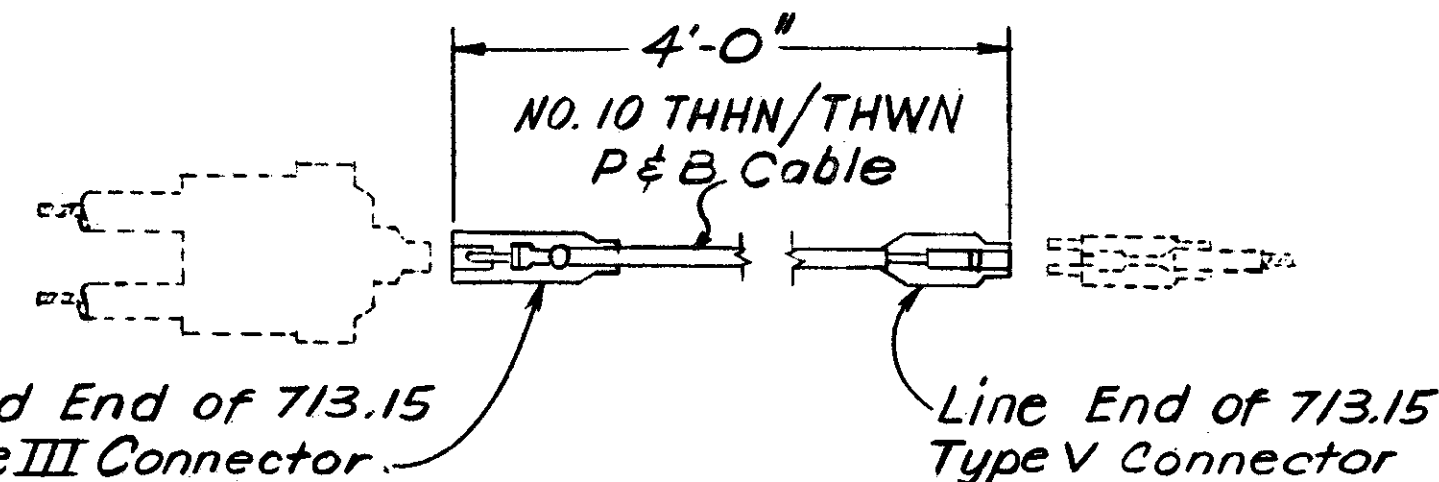
Fits between line end and load end of 713.15 Type II Kit



Two of these Kits will be required where system is 3-wire, 120/240 volts or 2-wire, 480 volts ungrounded.

EXTENSION KIT "B" FOR NEUTRAL CABLE

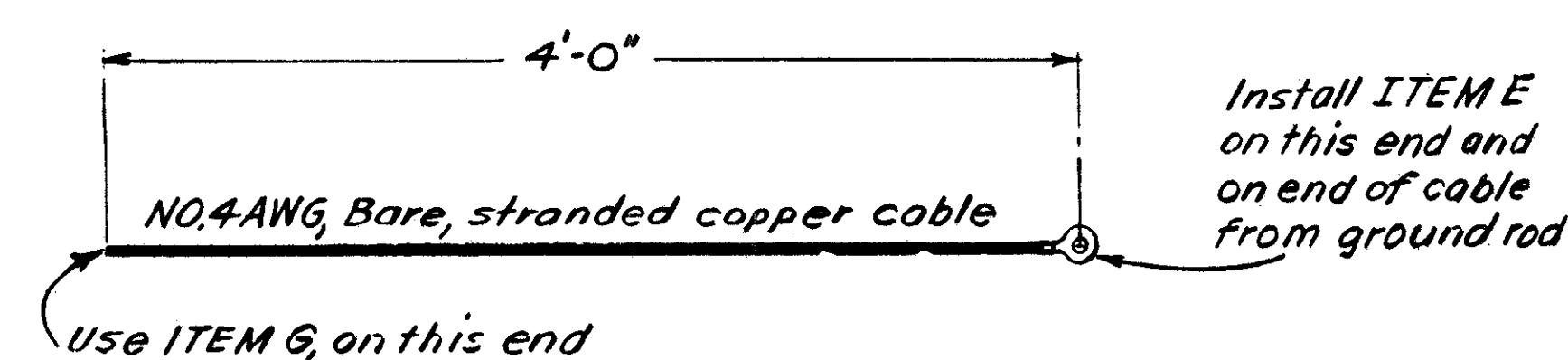
Fits between line end and load end of 713.15 Type III Kit



NOTE: A and B will provide enough slack to enable bringing connectors outside of base, without unplugging to change fuses.

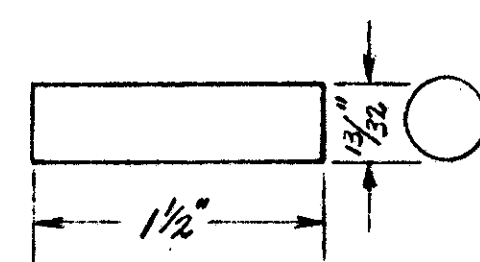
This Kit not required where electrical system is 3-wire, 120/240 volts or 2-wire, 480 ungrounded.

EXTENSION KIT "C" FOR GROUND CABLE



Includes ITEM G This Kit not required where electrical system is 3-wire, 120/240 volts or 2-wire 480 volts ungrounded.

ITEM D Tin plated silicon bronze slug for use in Extension Kit A

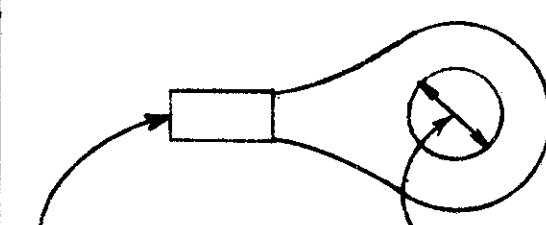


Included in Kit A for payment

ITEM E Straight ring tongue terminal.

One required for each Kit C used.

One required to connect ground cable from ground rod to item F.

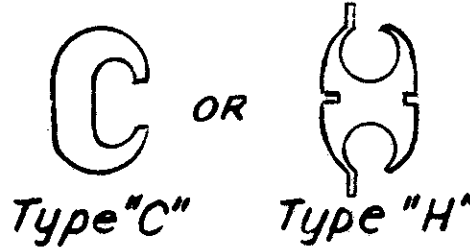


Included in AT-X base for payment

ITEM F Stainless Steel Hex Head Cap Screw 1/2"-13

Included in AT-X base for payment

ITEM G Compression Connector (select one)



To connect Extension Kit 'C' to Extension Kit 'B'.

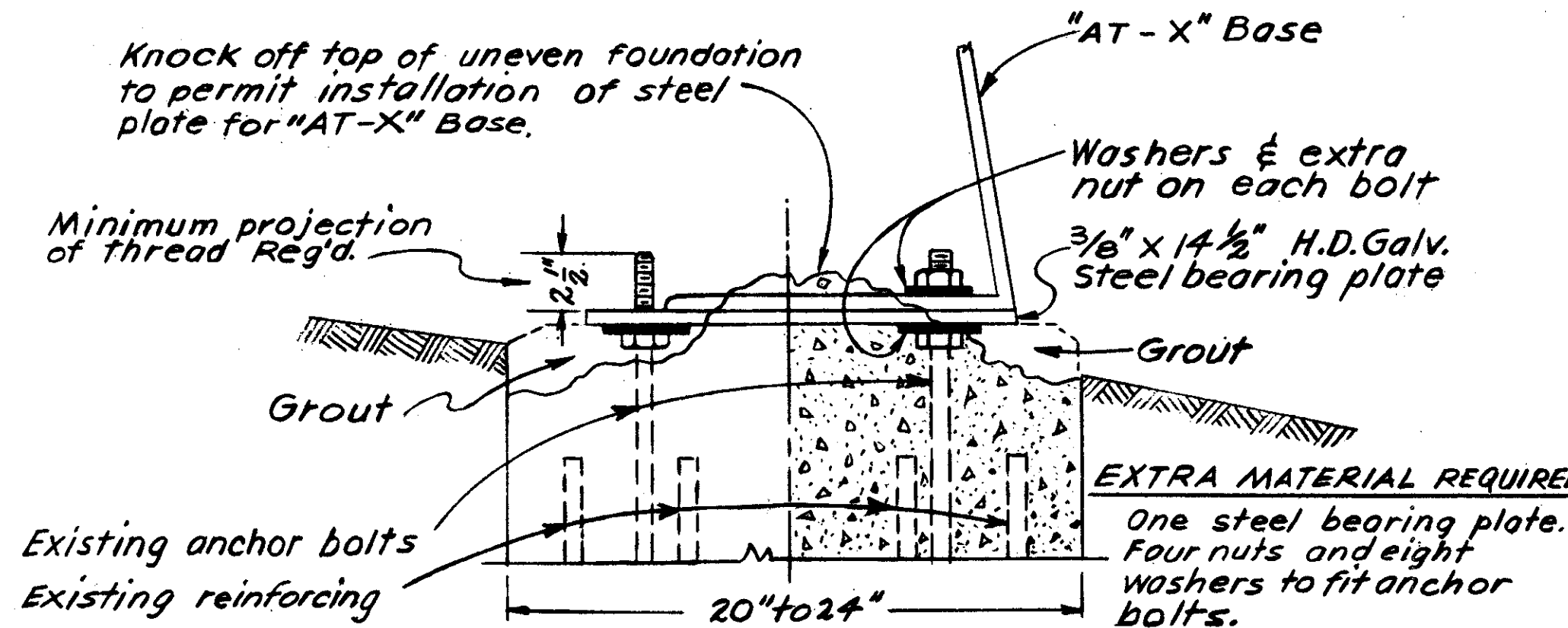
Included in Kit C for payment

PROCEDURE FOR INSTALLING BREAKAWAY "AT-X" TRANSFORMER BASES ON EXISTING PROJECTS

REPAIR OF DAMAGED FOUNDATION

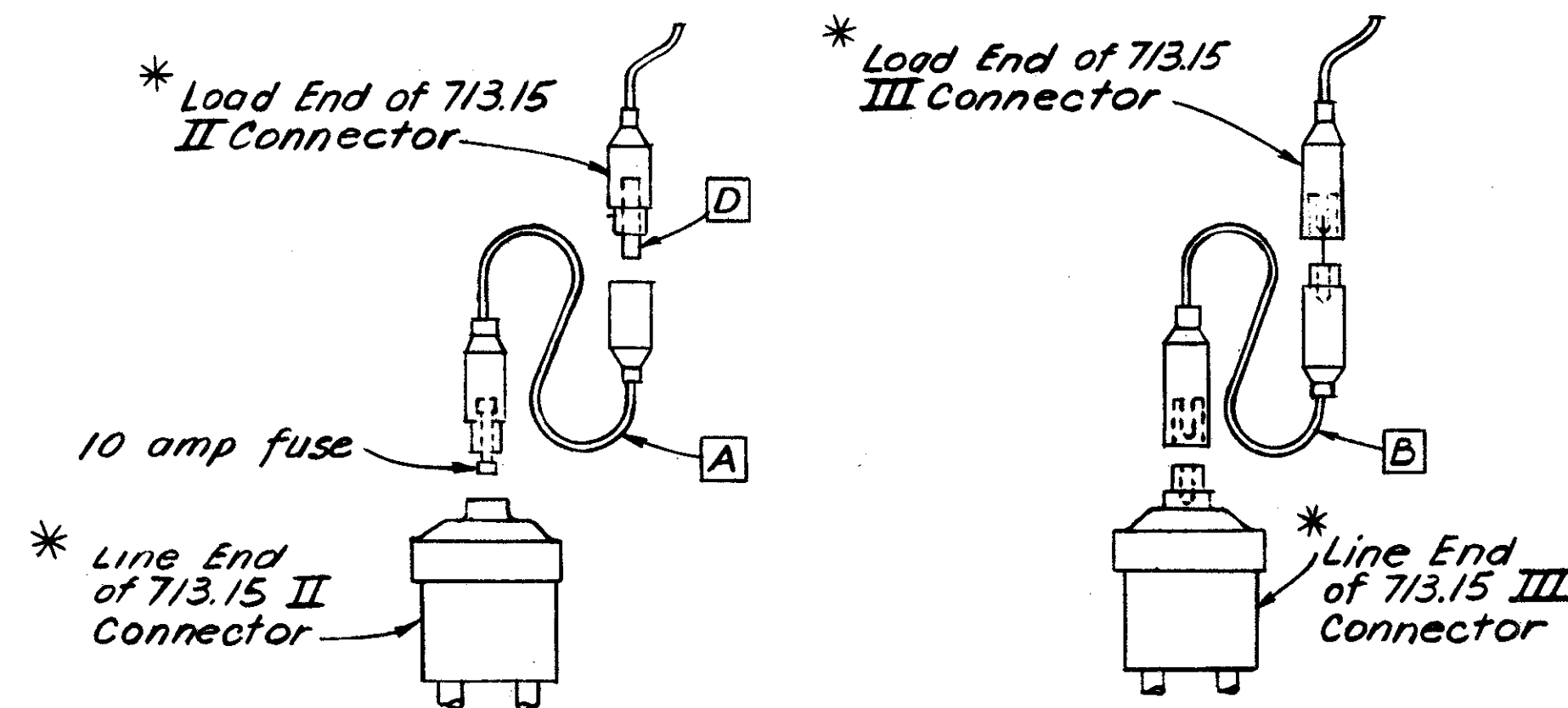
FOUNDATION

Where field inspection reveals that top of the existing light pole foundation has disintegrated proceed as follows:

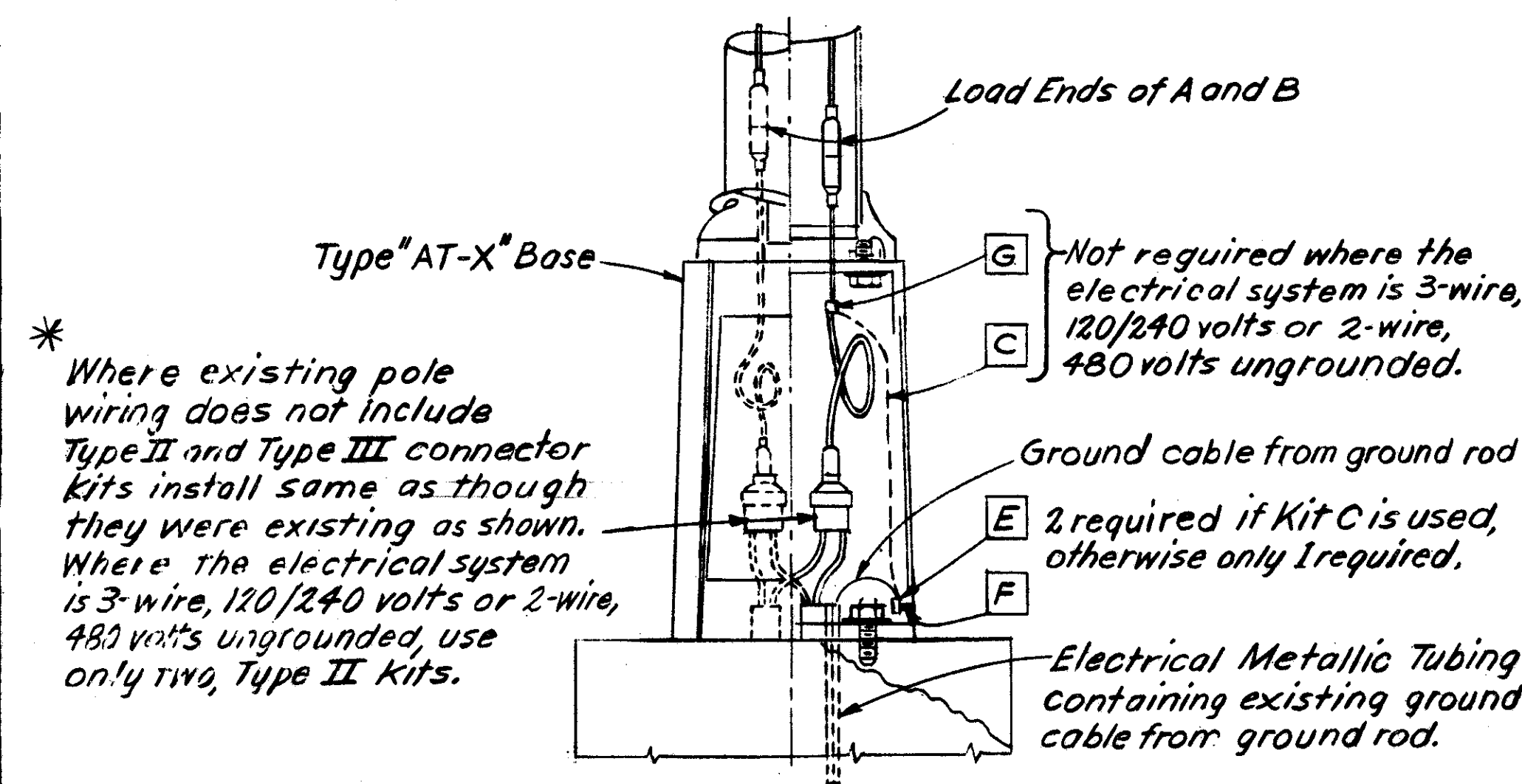


METHOD OF INSTALLING EXTENSION KITS

1. Prior to detaching pole from anchor bolts, pull load end connectors from line end connectors as shown:



2. After installing "AT-X" Base and light pole, plug in Extension Kits as shown:

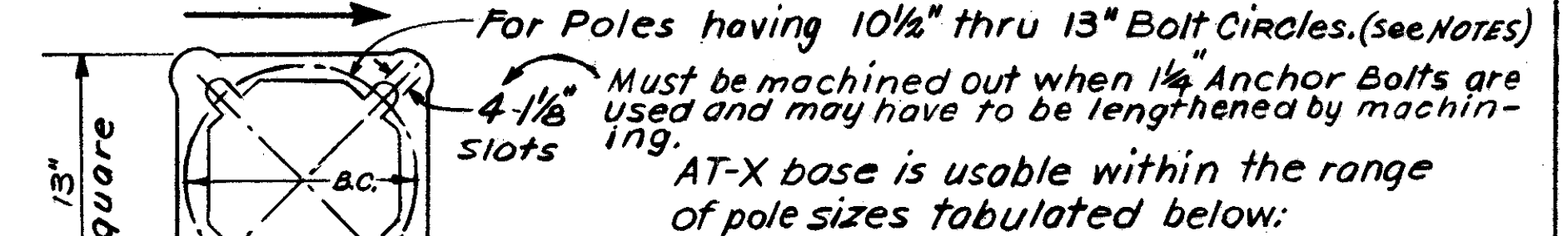


FRANGIBLE ALUMINUM TRANSFORMER BASE TYPE "AT-X"

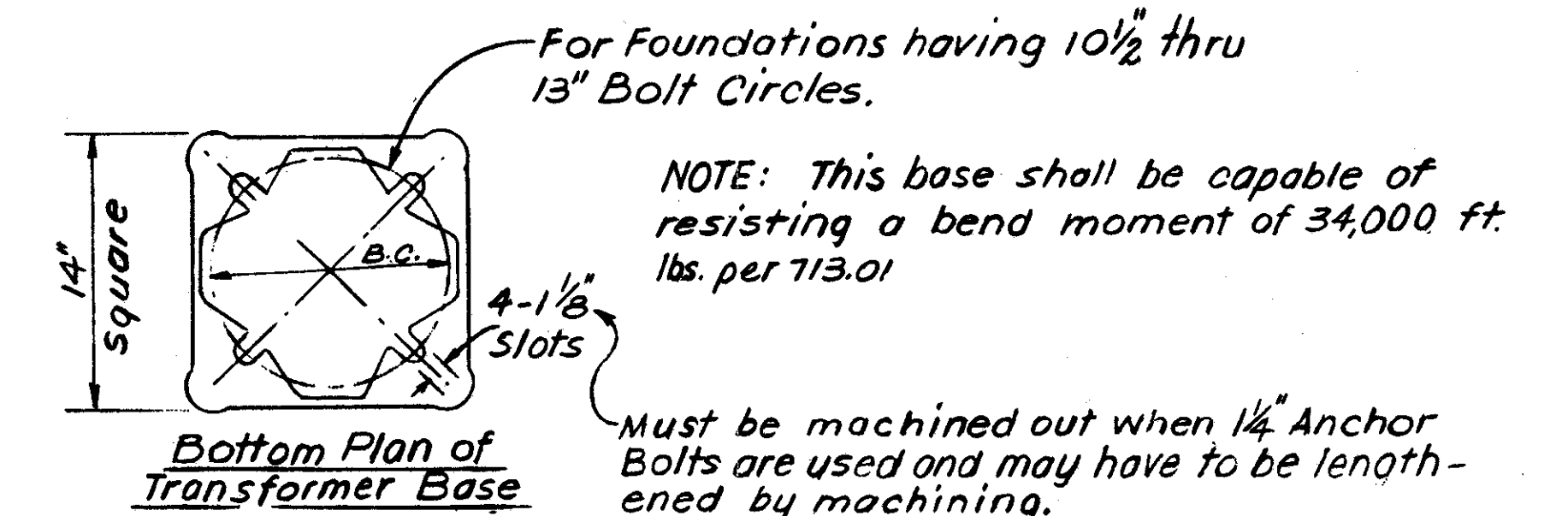
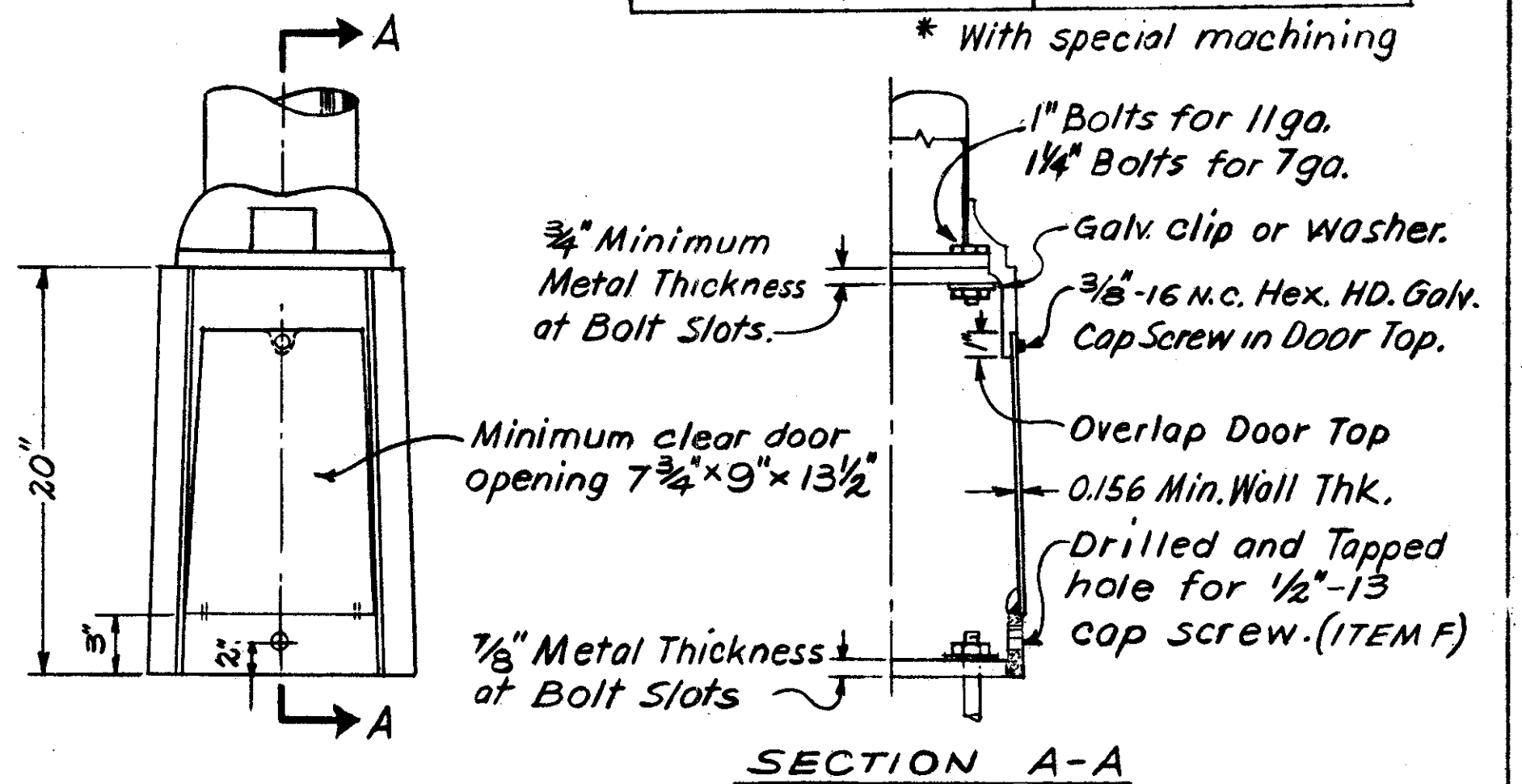
DATA NECESSARY FOR ORDERING FRANGIBLE BASES

REF. LETTER	EXISTING FOUNDATION ANCHOR BOLT CIRCLE	EXISTING ANCHOR BOLT DIAMETER	EXISTING SHAFT DIAMETER		EXISTING SHAFT LENGTH	EXISTING ARM LENGTH	MANUFACTURER'S POLE DESIGN NUMBER
			TOP	BOTTOM			

FLOW OF TRAFFIC



BOTTOM SHAFT DIAM.	BOLT CIRCLE
7.5"	10.5" (SEE #2)
8.0"	11.0"
8.5"	11.5"
9.0"	12.5"
9.5"	* 13.0"



NOTES: 1. Poles having bolt circles larger than 13" will require Type AT-C" Transformer Base with adapter plates.

2. Poles having bolt circles smaller than 10.5 will require top and bottom adapter plates obtainable from the manufacturer of the AT-X Transformer Base. Payment for such adapter plates will be included in payment for AT-X base.

Rev. 9-13-73