

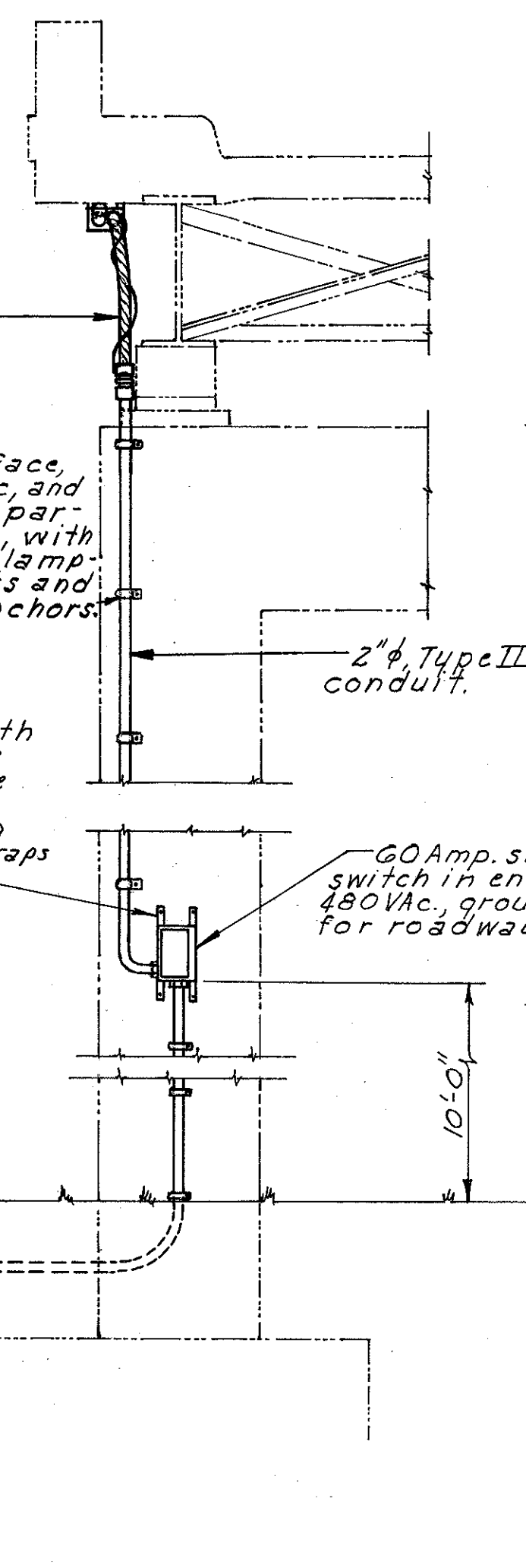
LAKE COUNTY  
LAK. 90-3.56

Pc. of 2" flexible, metallic, liquid-tite, conduit, with approved fittings.

Support conduit to face, side away from traffic, and to underside of bridge parapet, at max. 4'-0" ctrs., with one-hole straps and clampbacks using 3/8" bolts and with expansion type anchors.

Pc. 1/4"x3" steel strap, with 3" offset, for fastening the Control Center enclosure to the Pier column, use 3/8" bolts and expansion type anchors. 2 bent straps required.

Note: Connected Load is 21.5 Kva.



VIEW LOOKING TOWARDS AUBURN ROAD

CONTROL CENTER ENCLOSURE ON PIER COLUMN  
No Scale

All items from junction box back to CEI Co's. pole, No. 335934, shall be included in Control Center, SR-44 for payment.

16"x10"x6" unflanged, cast iron, junction box. Mount to underside of bridge parapet using 3/8" bolts with expansion type anchors and 1" long spacers.

2" Type III, conduit fastened to underside of bridge parapet with one-hole straps and clampbacks using 3/8" bolts and expansion type anchors.

No. 4 AWG, bare copper ground wire, loosely wrapped around flexible conduit.

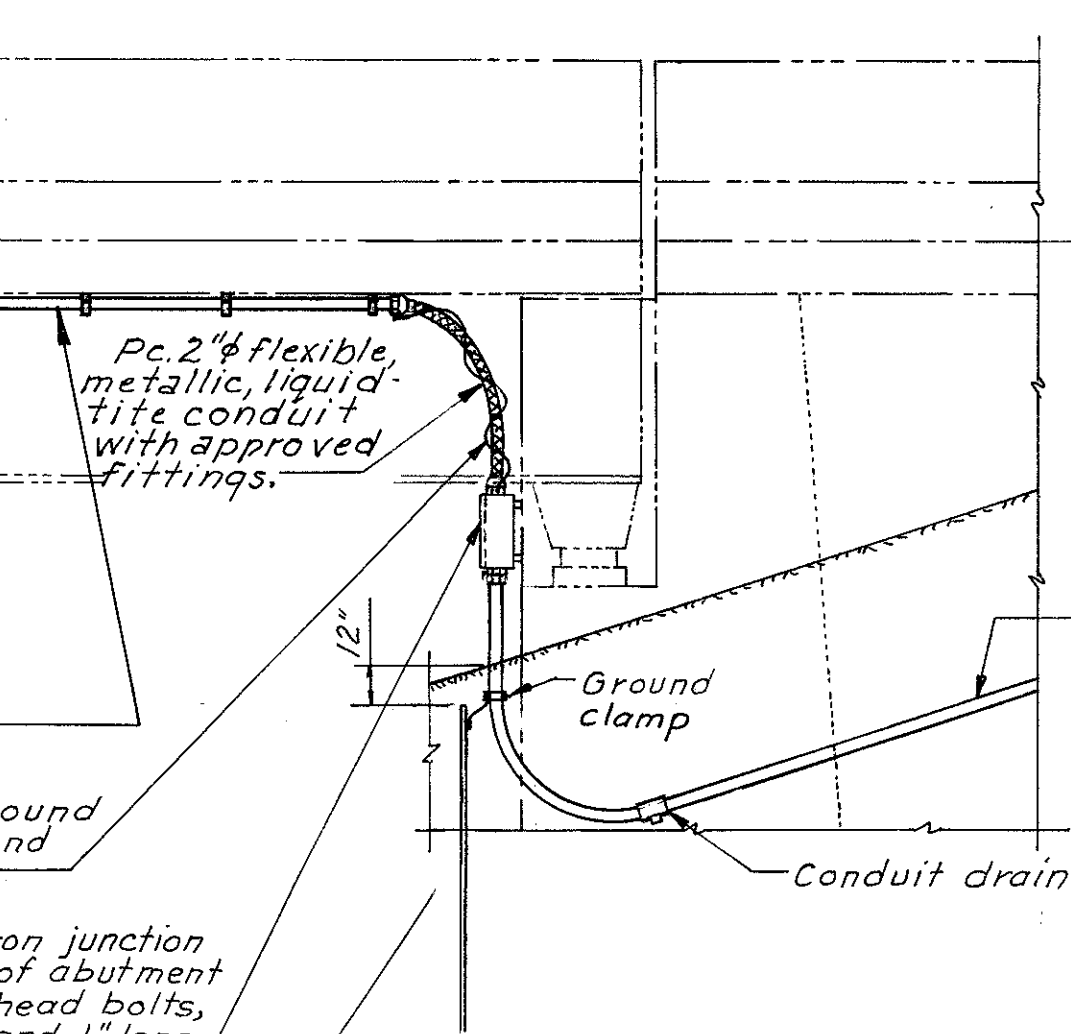
16"x10"x6" unflanged, cast iron junction box. Mount to front face of abutment mast wall with 3/8" Hex. head bolts, with expansion type anchors and 1" long spacers.

1" x 10'-0" Ground rod, with No. 4 AWG bare copper ground wire. Exothermic weld to ground rod.

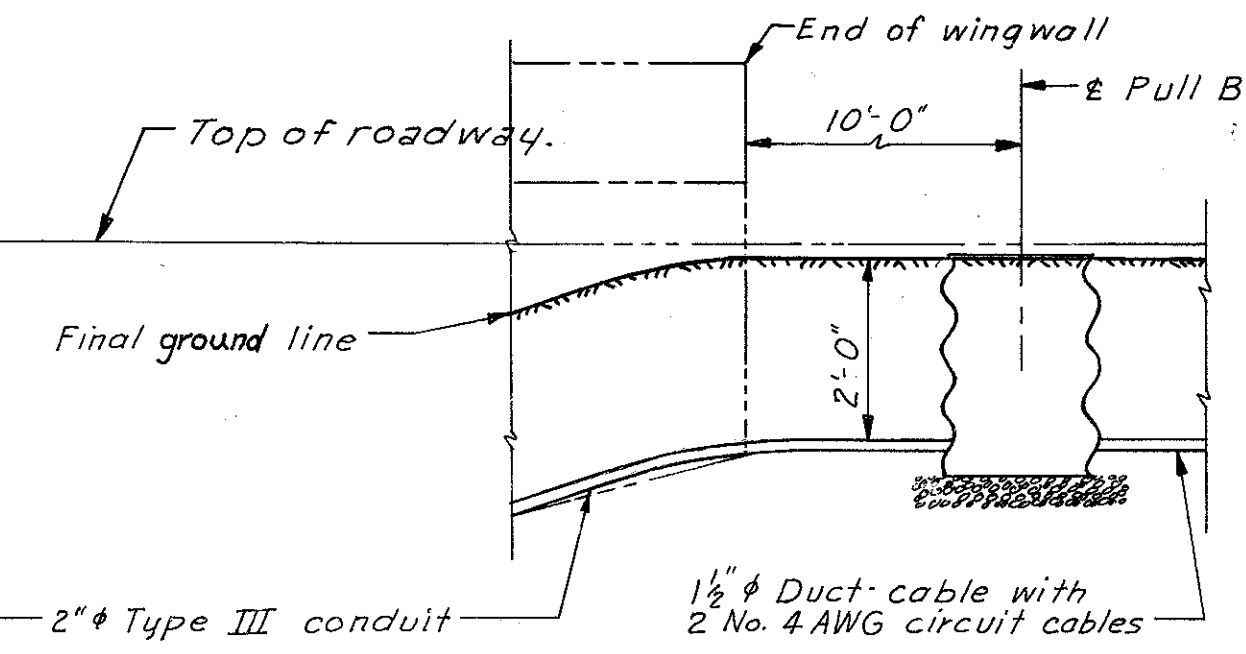
SIDE VIEW

Note: For control center enclosure details not shown see sheet 106A.

2" Type III, conduit, directly buried, to CEI Co's. pole No. 335934.



DETAIL OF CONDUIT AT ABUTMENT  
No Scale



Install pull box as per Standard Drawing HL-10

240 Volt luminaire with 250 watt lamp and integral ballast for clear, mercury vapor, lamp, with ANSIIES Type II distribution, equal to G.E. M250R, Westinghouse 0V-15, McGraw-Edison "Unistyle" or approved by the Engineer.

Insulated bushing on cable entrance  
ANSI Sched. 40, tapered ovalptic, steel bracket arm with 2" slip fitting.

2" Rigid, metal conduit with weather head, securely fasten to pole with 2-hole, galv. straps at 5'-0" maximum centers.

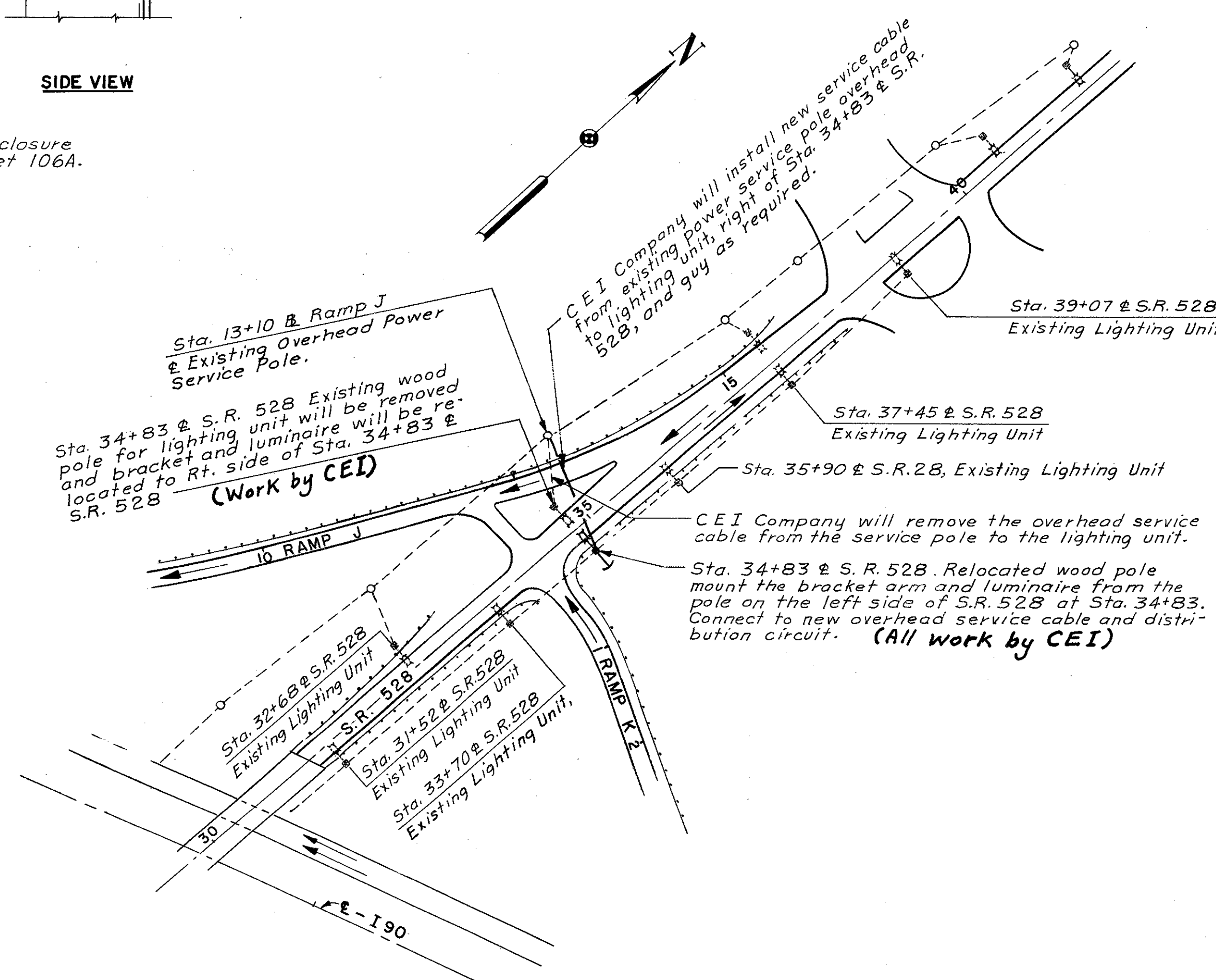
Wood pole Type ANSI Class 4.

2" Rigid, metal conduit directly buried from base of pole to nearest pull box

Final Ground Line

Note: The furnishing and installing of the wood pole, bracket arm, luminaire, lamp, conduit and cables, outside the washrooms at all rest areas, shall be by Others. The above detail is shown for information only.

LIGHTING UNIT ON WOOD POLE FOR REST AREAS  
Scale: 3/8" = 1'-0"



S.R. 528 INTERCHANGE WITH I-90  
LIGHTING LAYOUT PLAN  
Scale: 1" = 100'