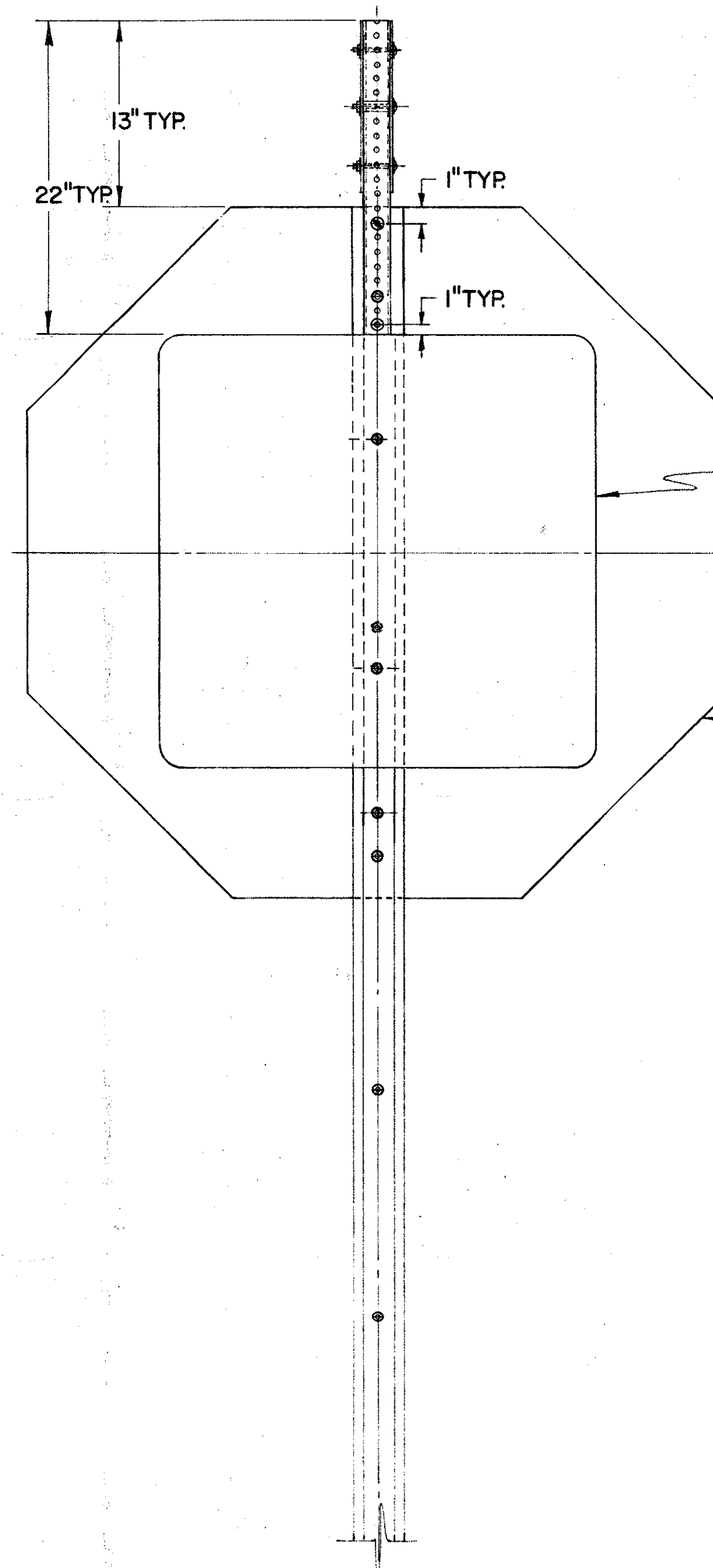


**NOTES**

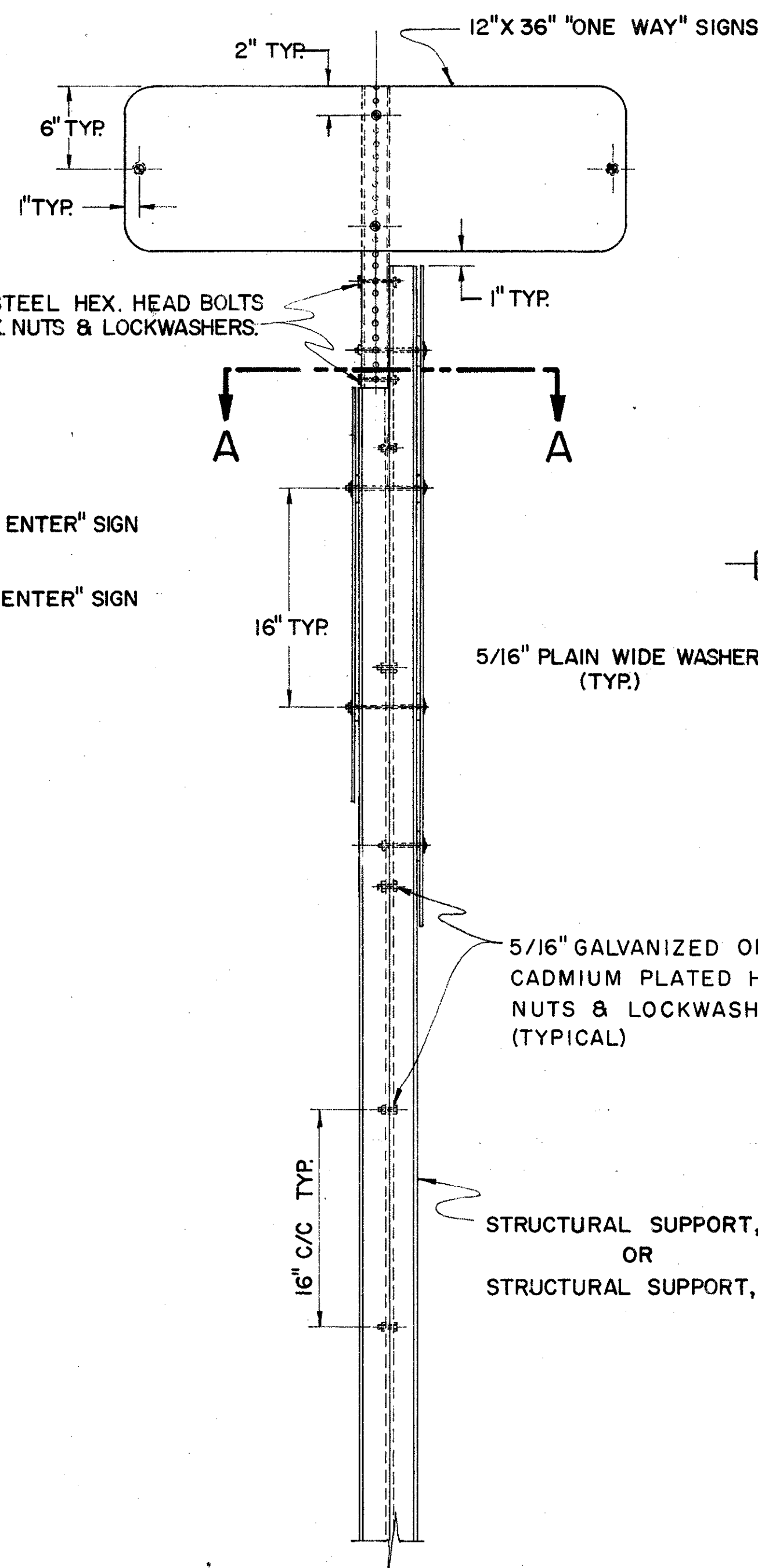
**MATERIALS**

ALL SIGN MATERIALS SHALL BE IN ACCORDANCE WITH SUPPLEMENT SPECIFICATION 815.  
ALL STRUCTURAL MATERIALS SHALL BE IN ACCORDANCE WITH SUPPLEMENT SPECIFICATION 816.  
FOR SPECIFICATIONS FOR THE 2" & 1 3/4" SQUARE STEEL POST SEE GENERAL NOTES, SHEET NO. 4.

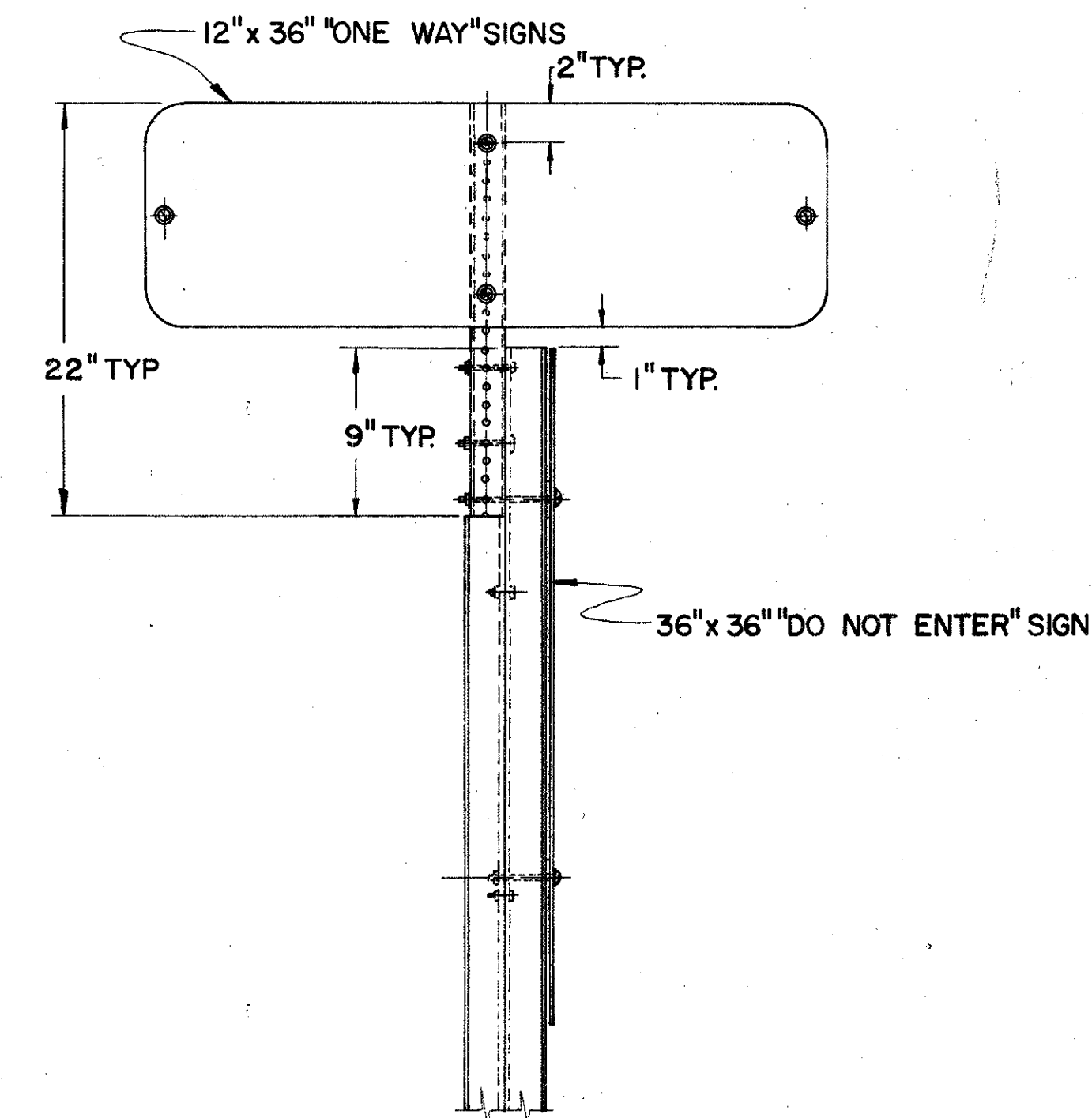
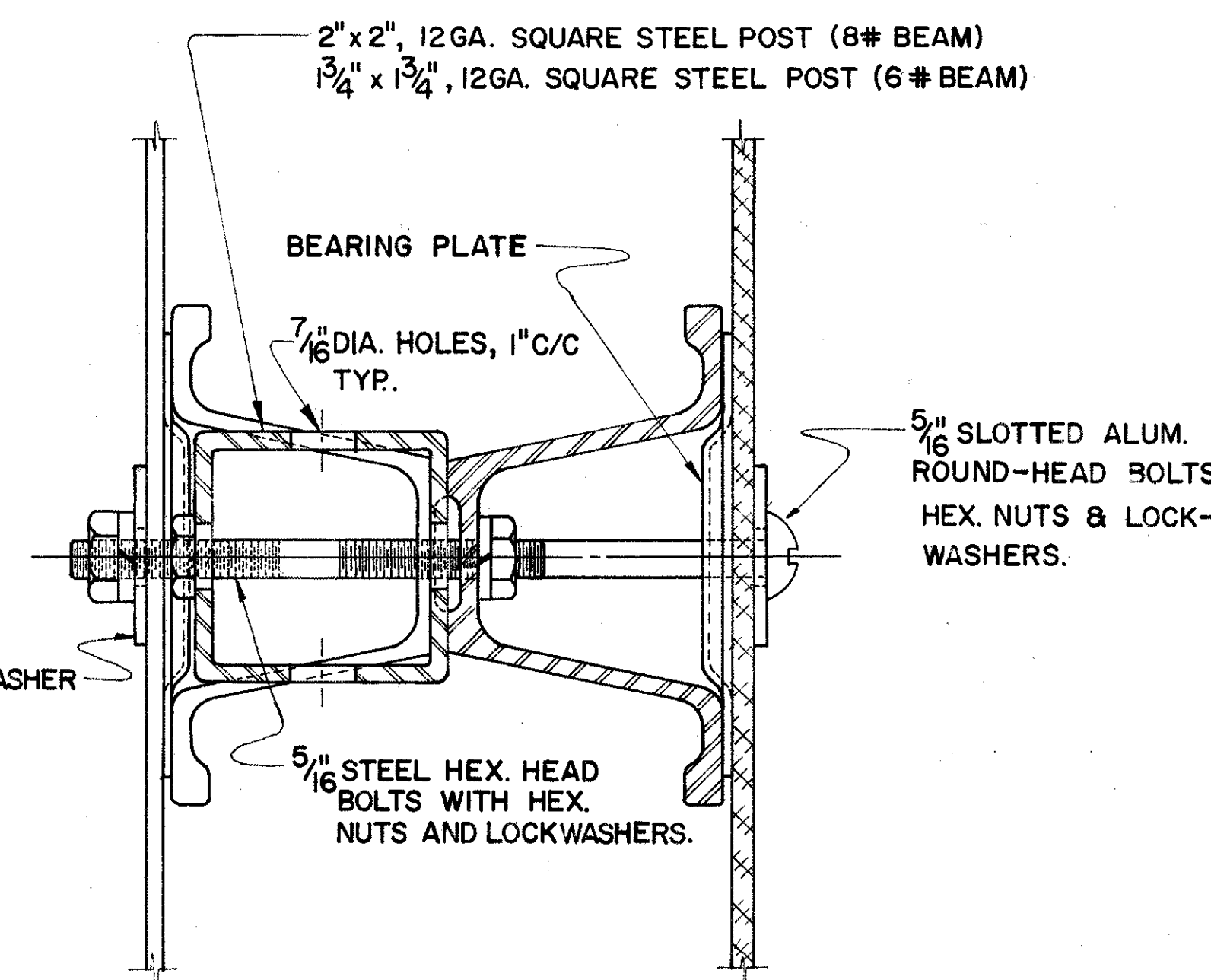
3/8" ID. ALUM. OR FIBER SPACER (A)= 2" LG., (B)= 1 3/4" LG.  
5/16" SLOTTED ALUM. TRUSS HEAD BOLTS, HEX. NUTS & LOCKWASHERS.



**"ONE WAY", "STOP", "DO NOT ENTER",  
SIGN INSTALLATION.**



**SECTION A-A**



**"ONE WAY", "DO NOT ENTER"  
SIGN INSTALLATION**

BUREAU OF TRAFFIC OHIO DEPARTMENT OF HIGHWAYS		
SPECIAL "ONE WAY" SIGN SUPPORT DETAILS	SOW	DATE 2-7-66 4-18-67
		APPROVED _____ ENGINEER OF TRAFFIC