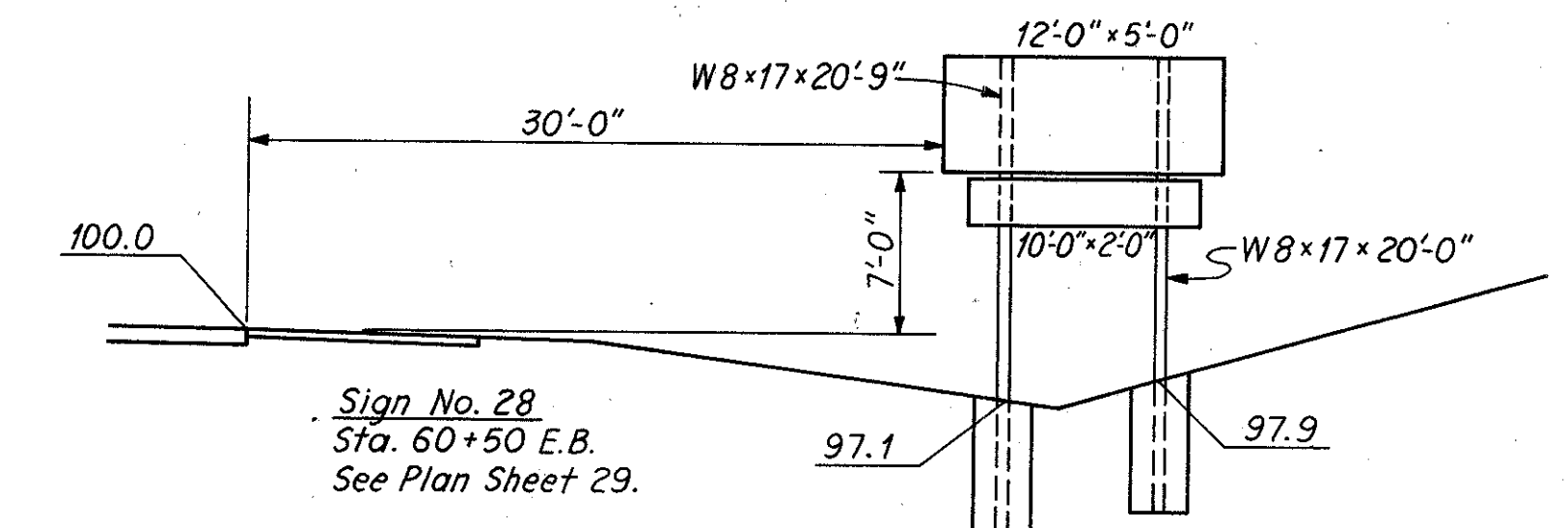
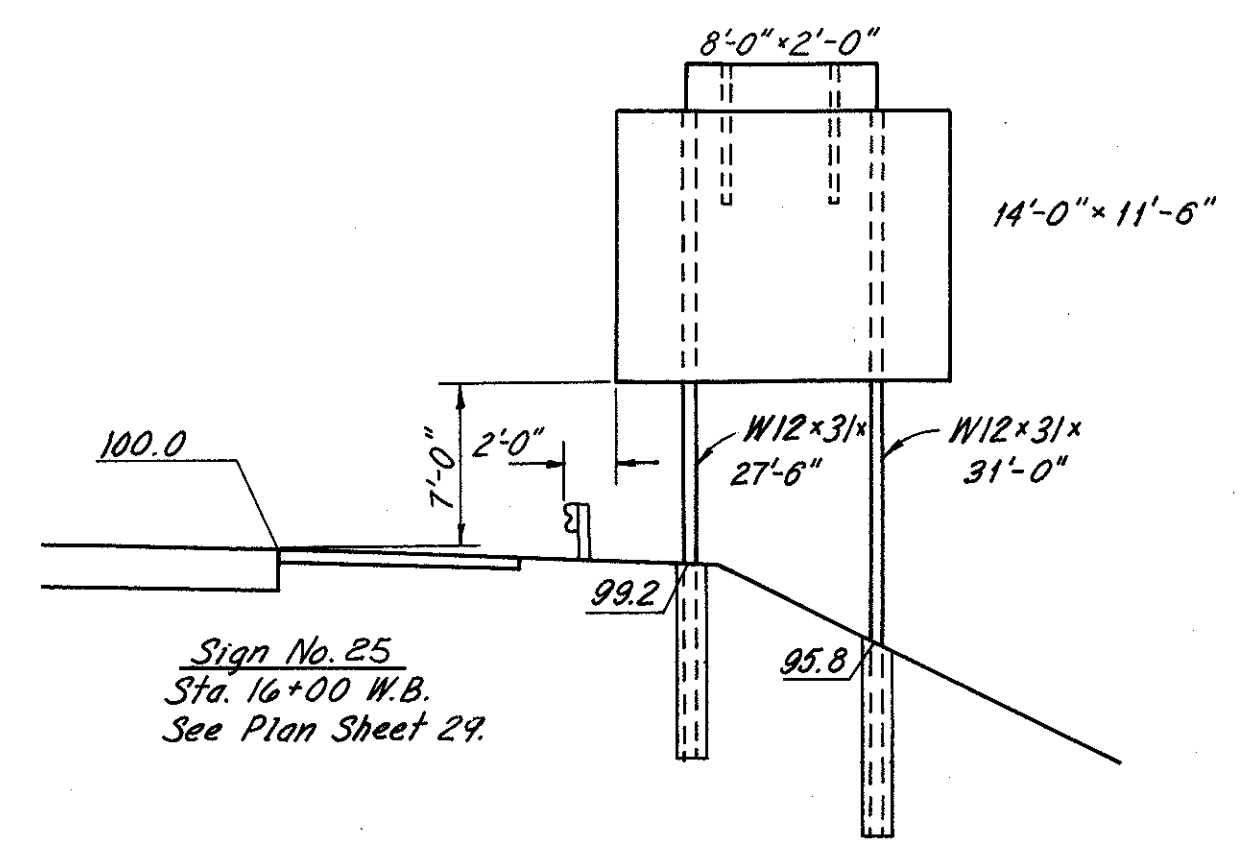
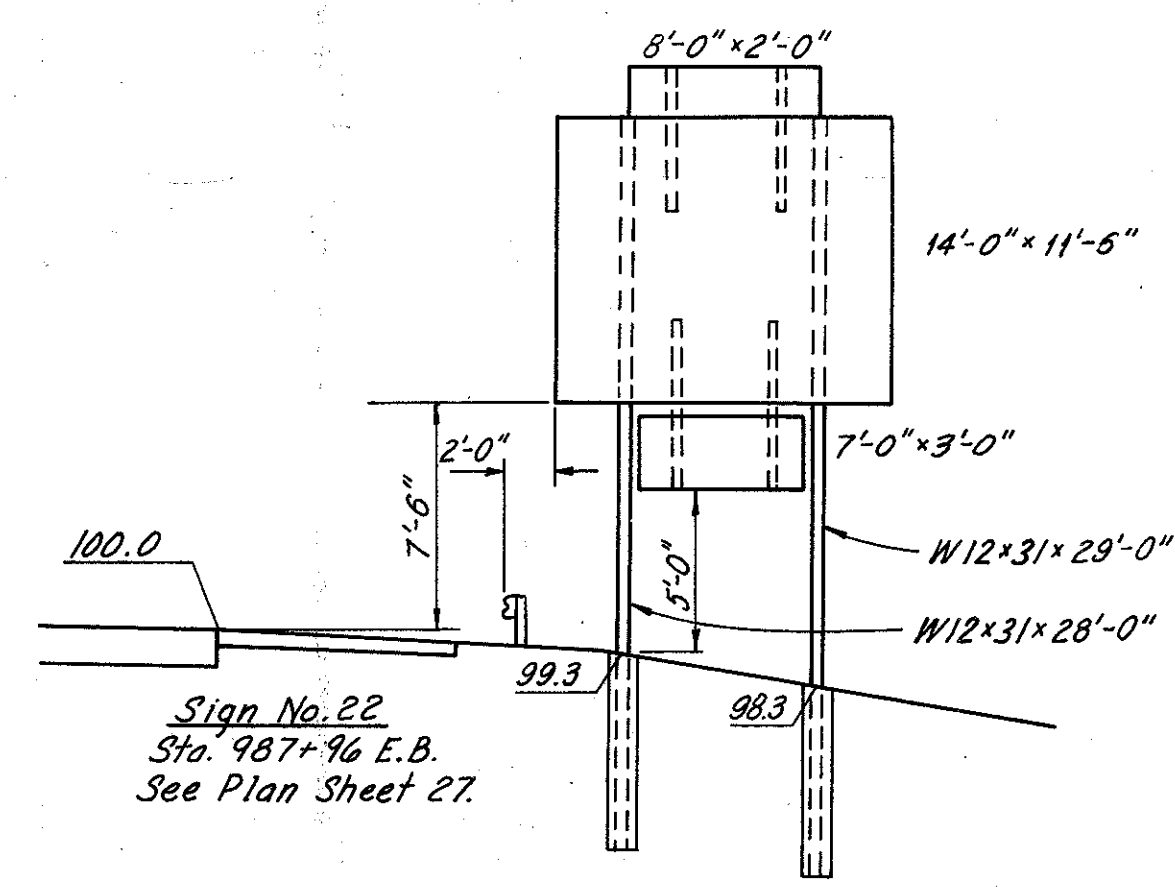
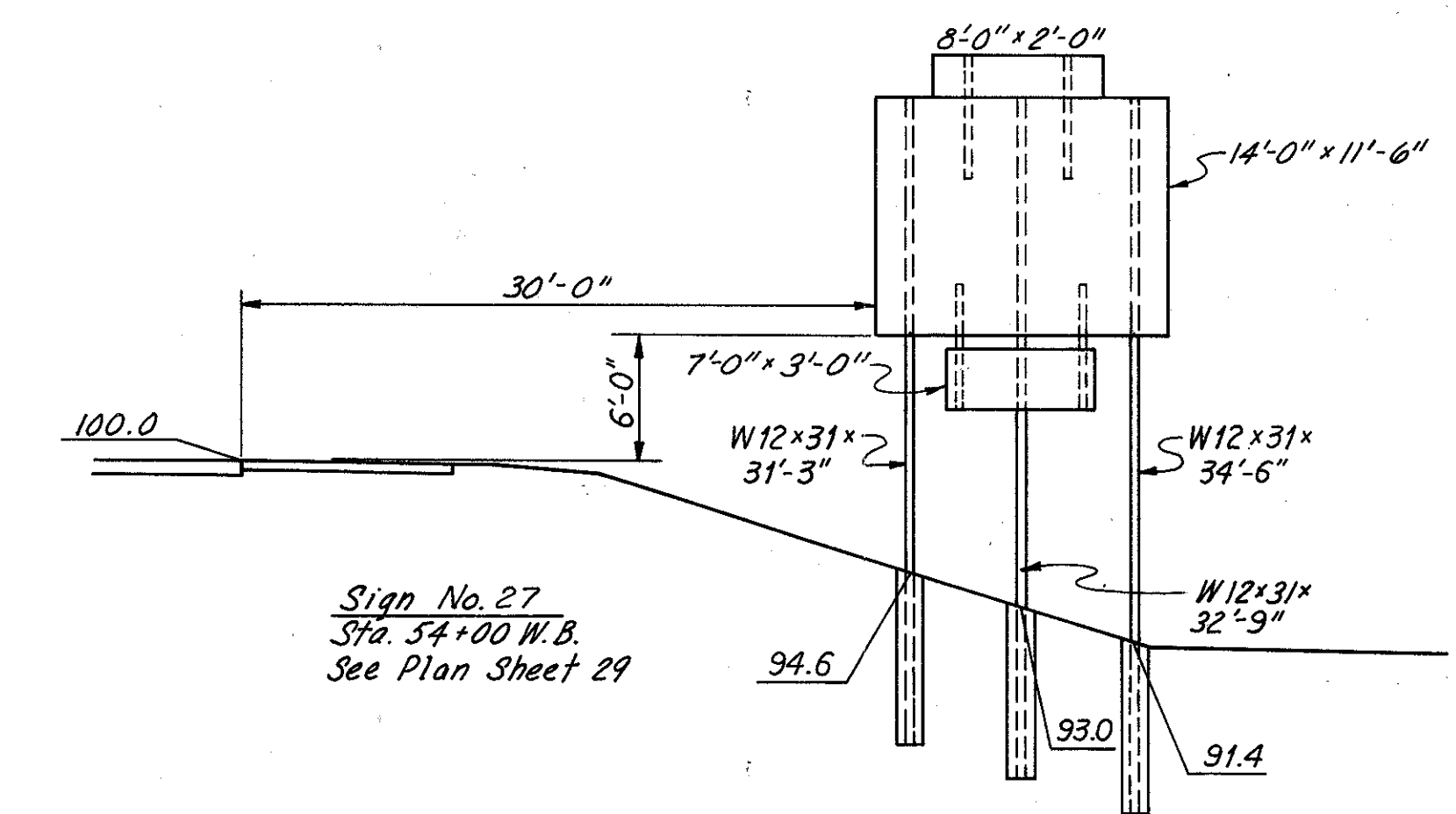
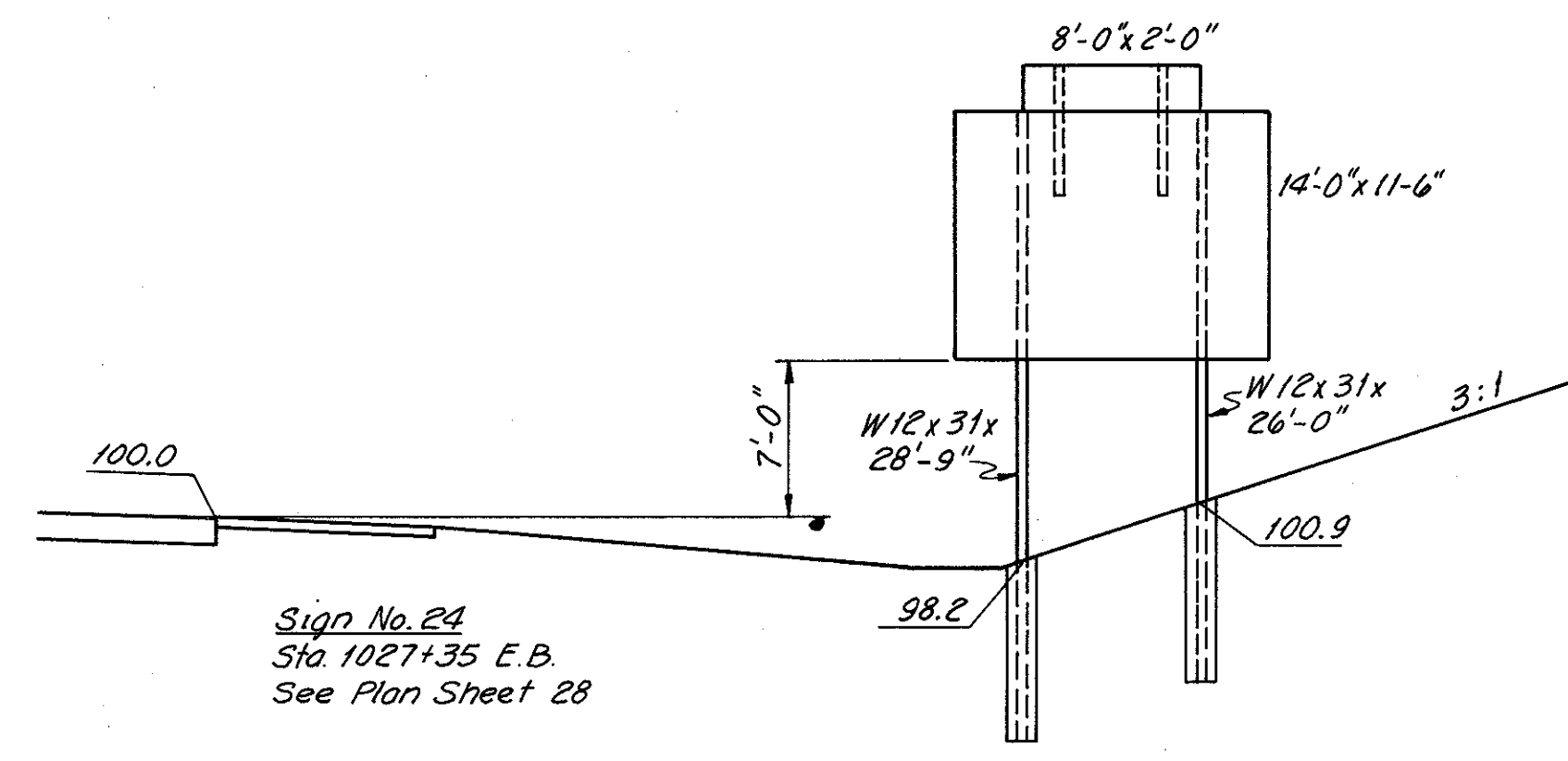
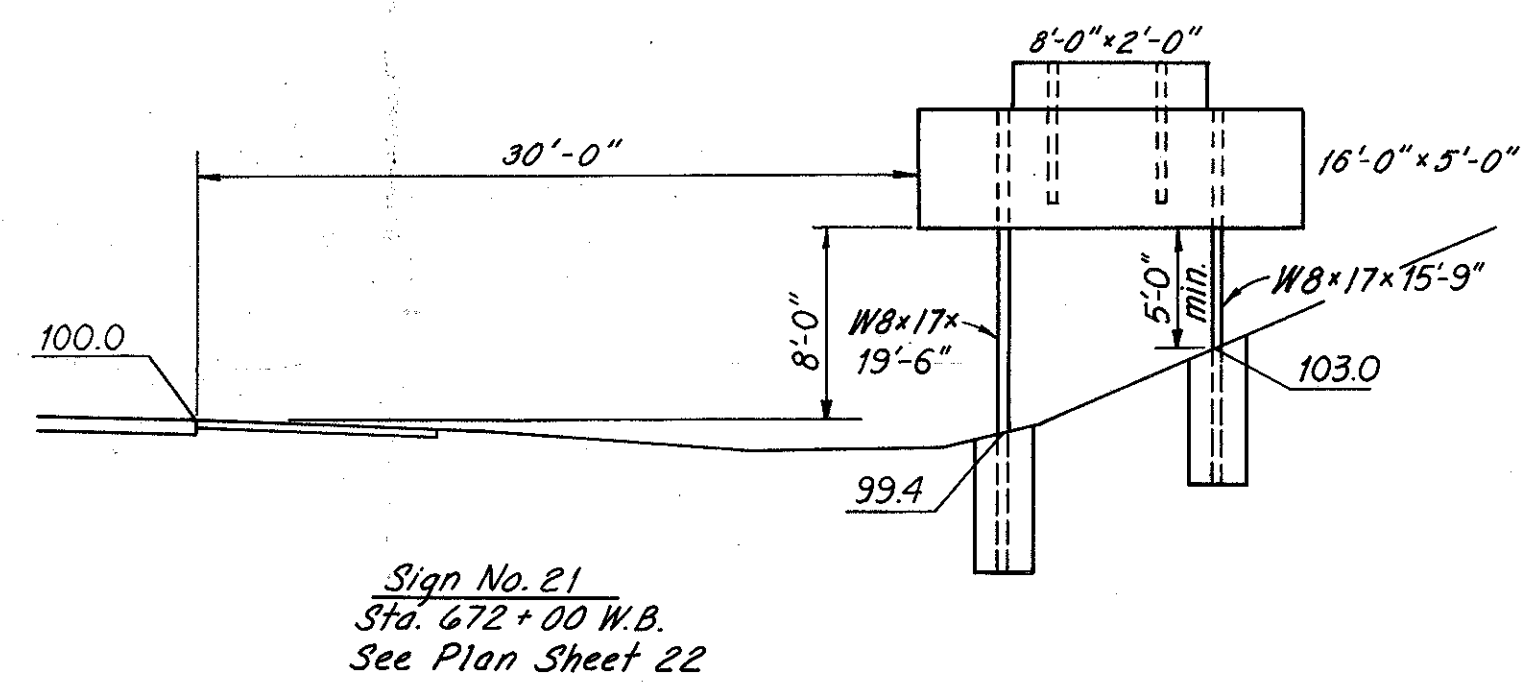
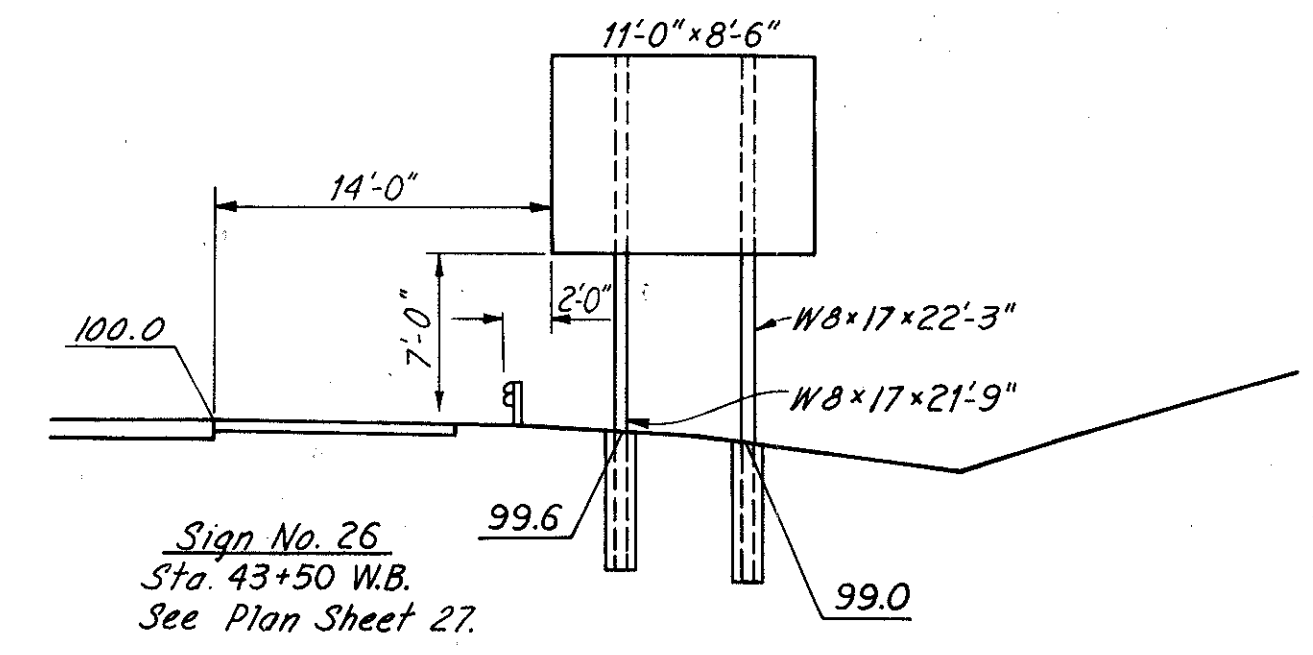
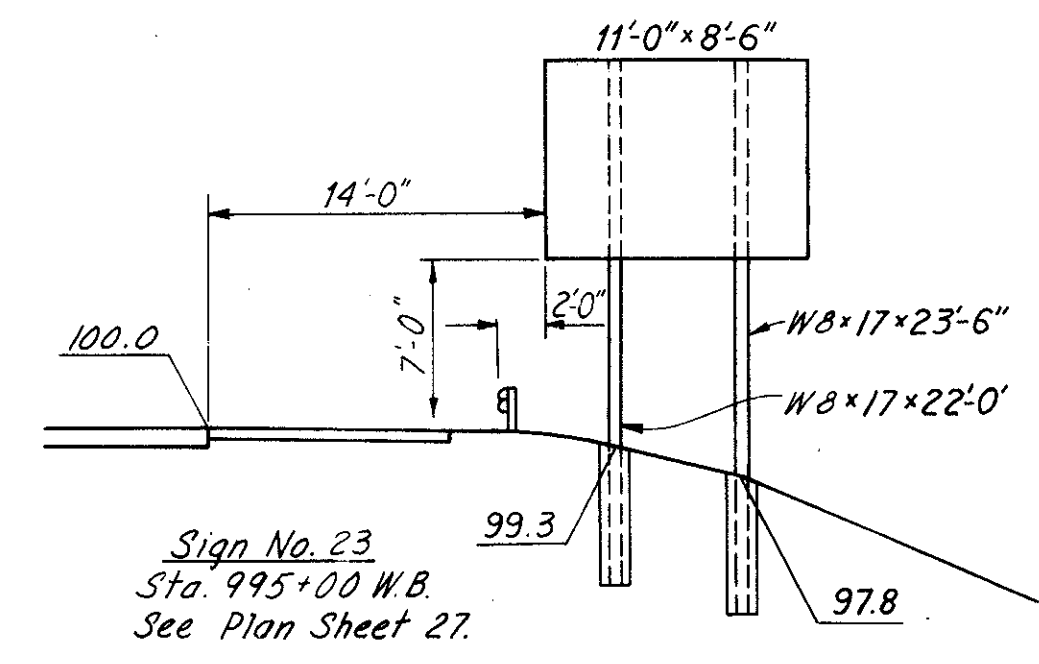
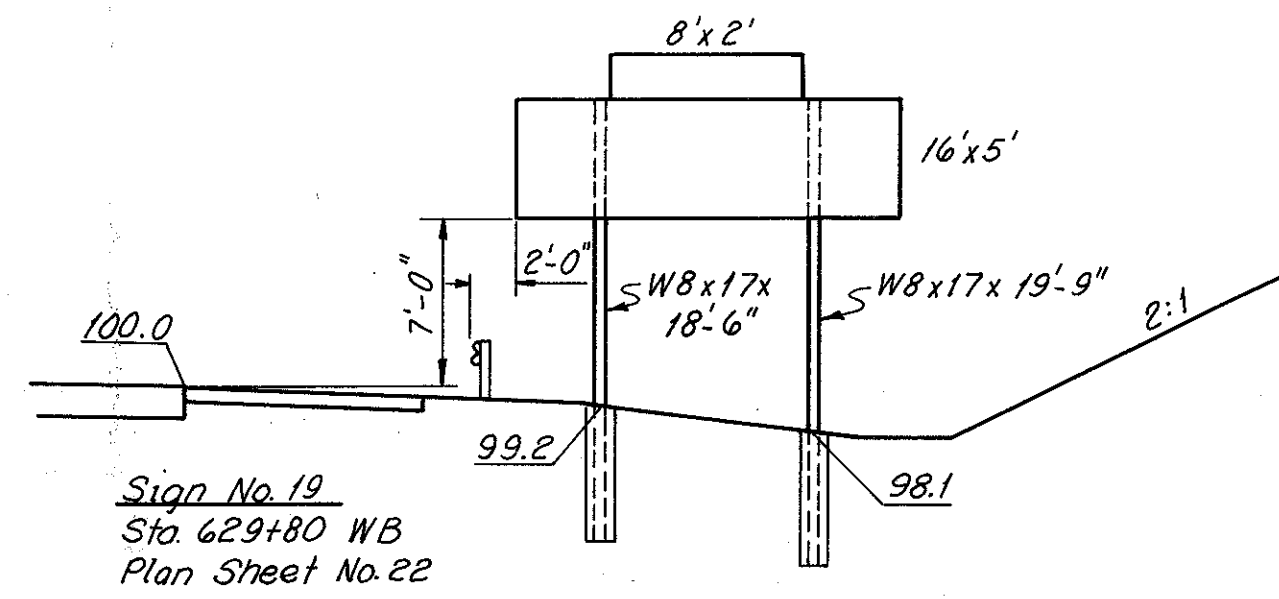


SIGN SUPPORT DETAILS

FED. RD. DIVISION	STATE	PROJECT
5	OHIO	

89A
111

LAKE COUNTY
LAK. 90-3.56



SCALE 1/4" = 1'-0"
HOWARD, NEEDLES, TAMMEN & BERGENDOFF
MADE ERH DATE 11-14-72 CONSULTING ENGINEERS
TRCD. JMC DATE 11-16-72
CKD. GFM DATE 11-20-72 KANSAS CITY CLEVELAND NEW YORK