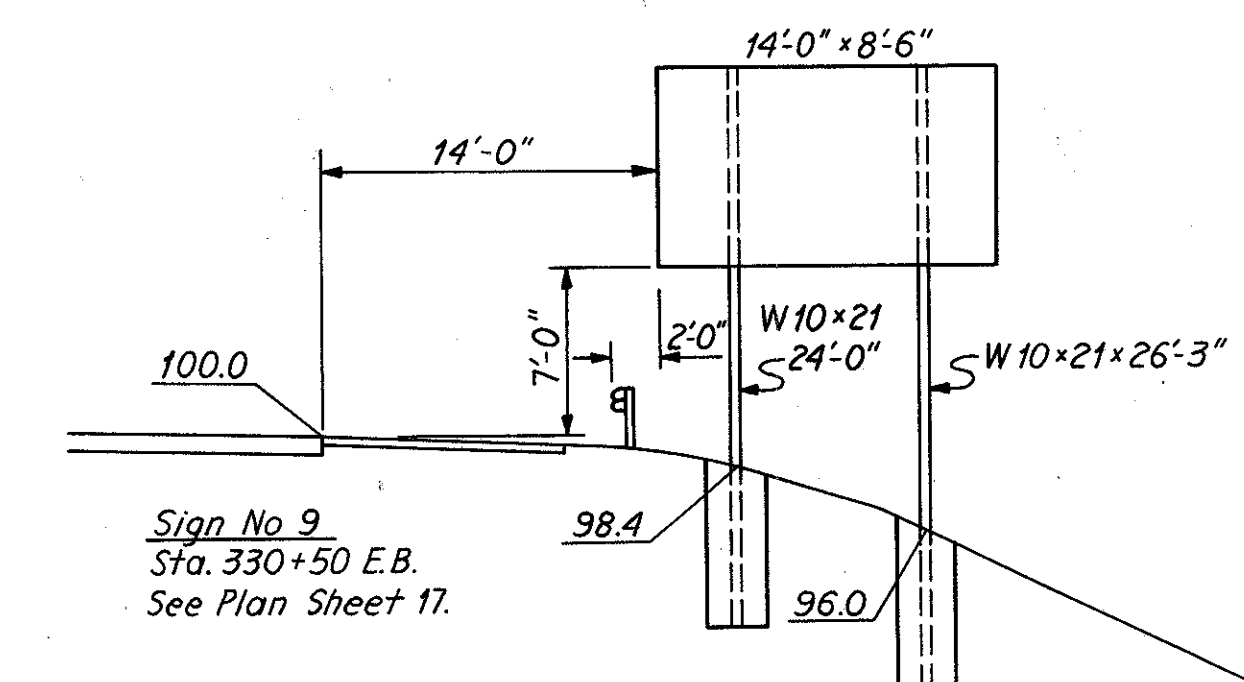
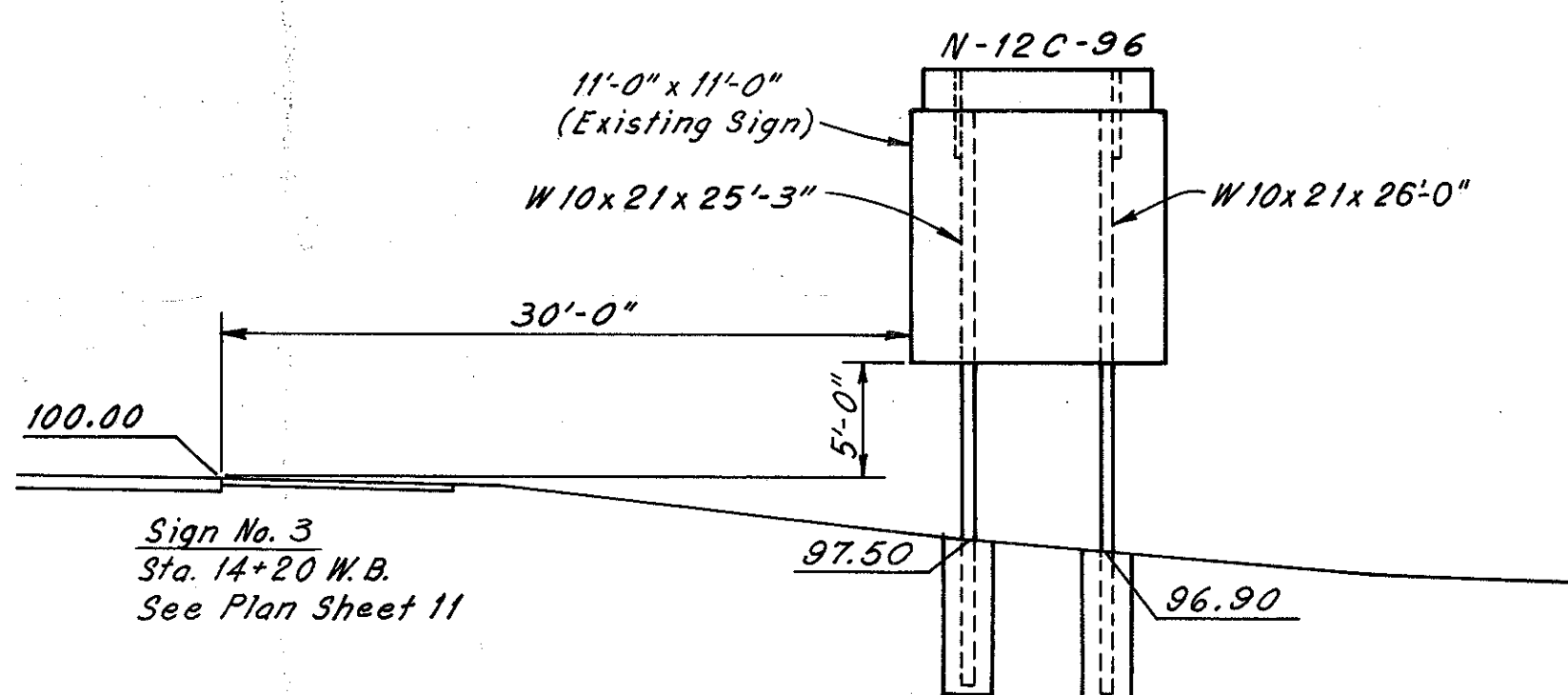
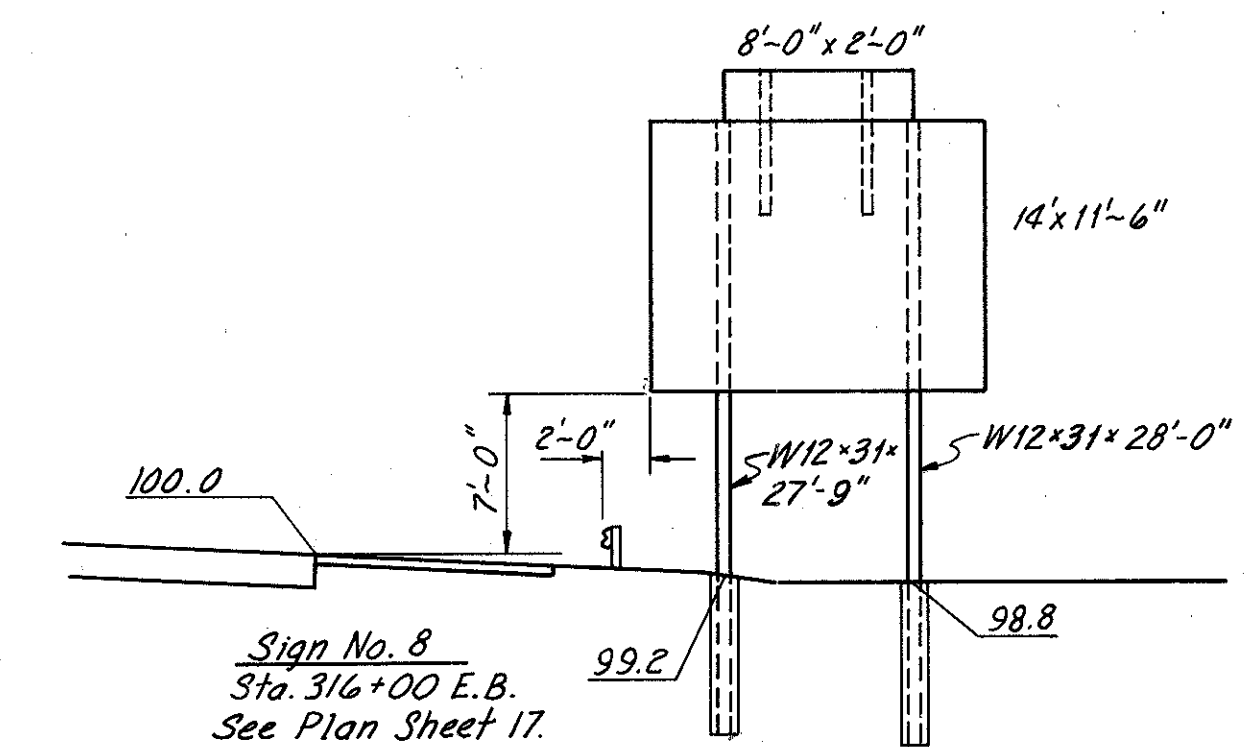
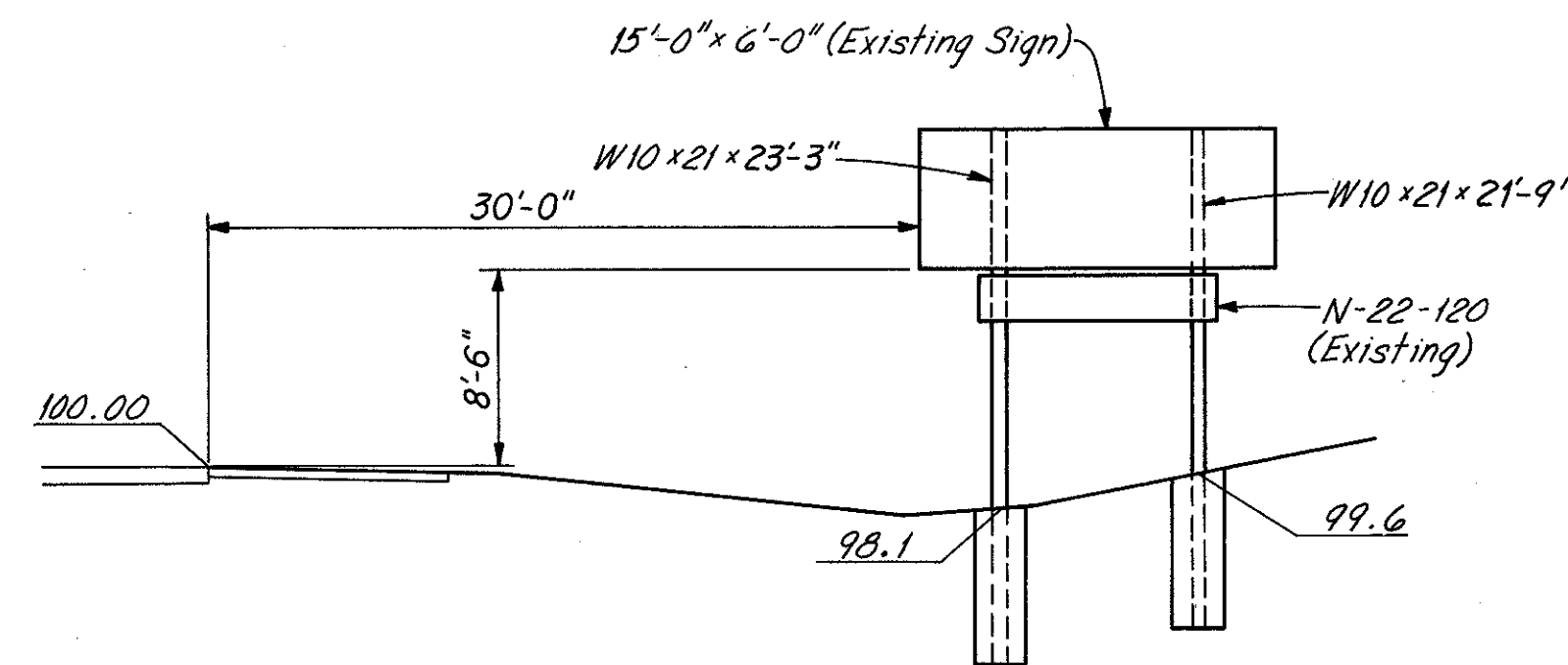
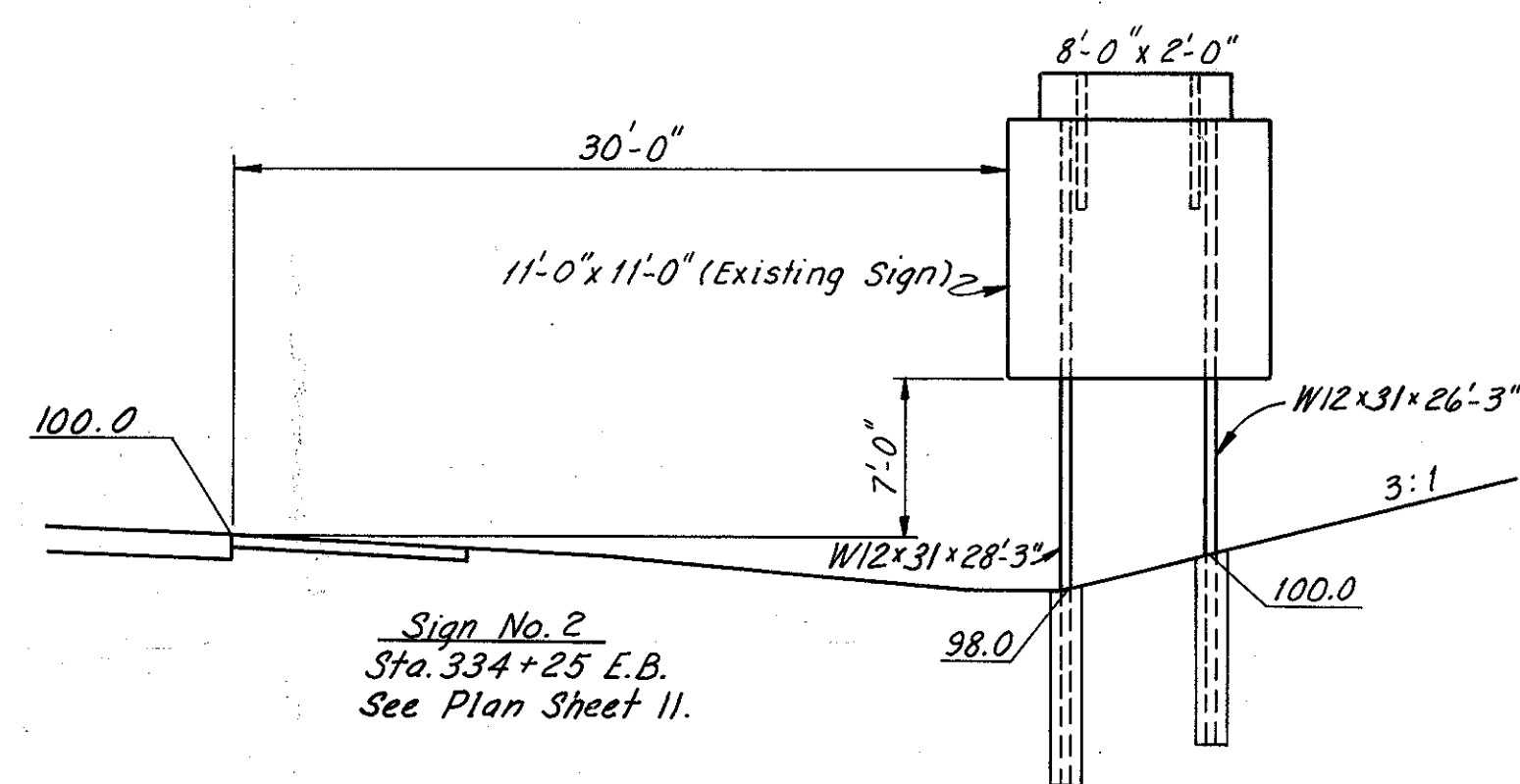
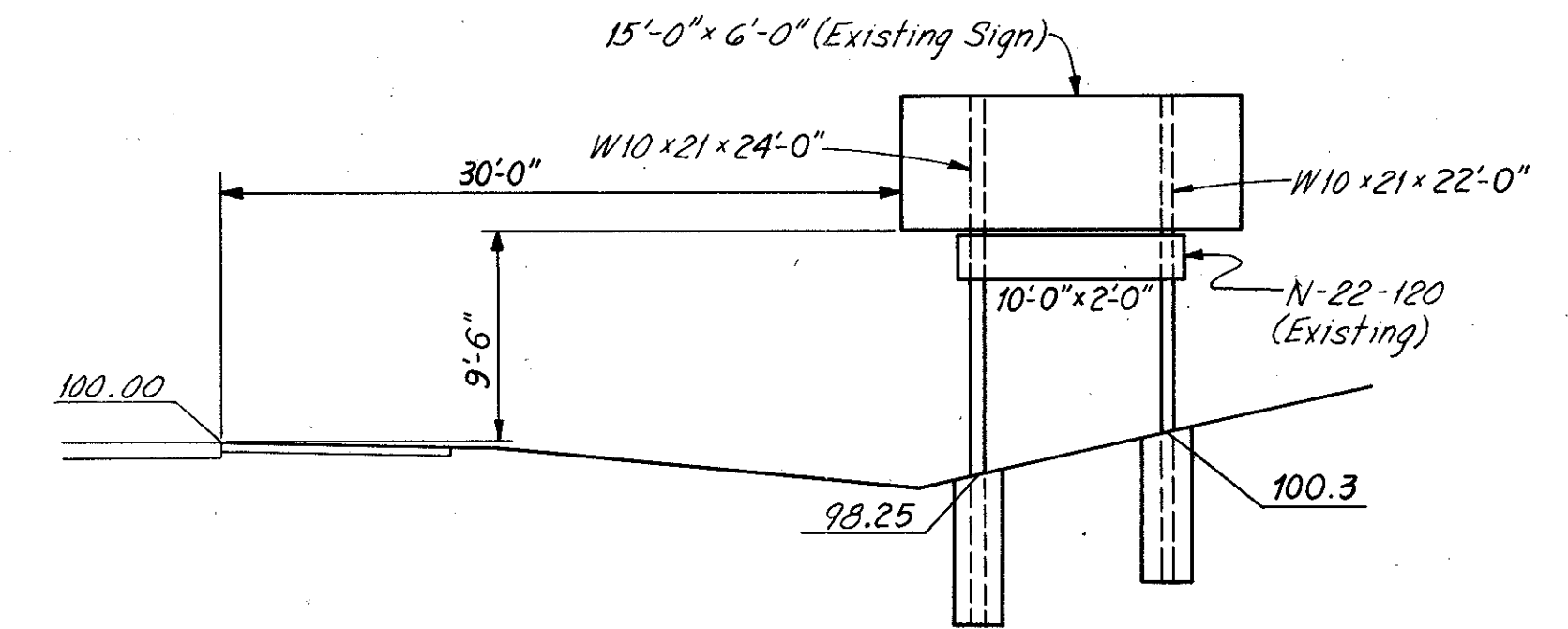
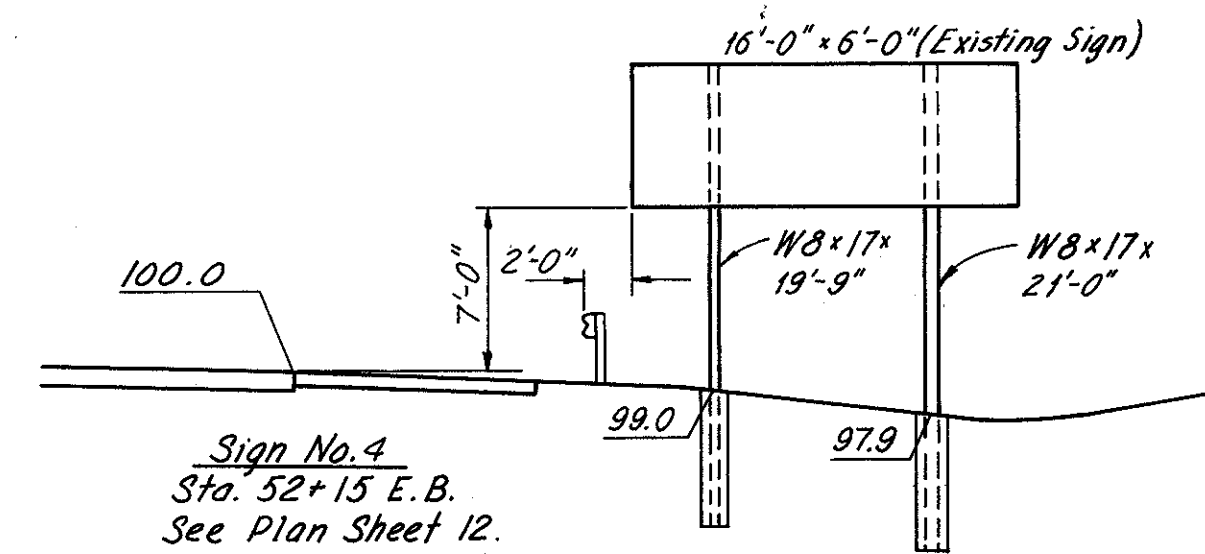
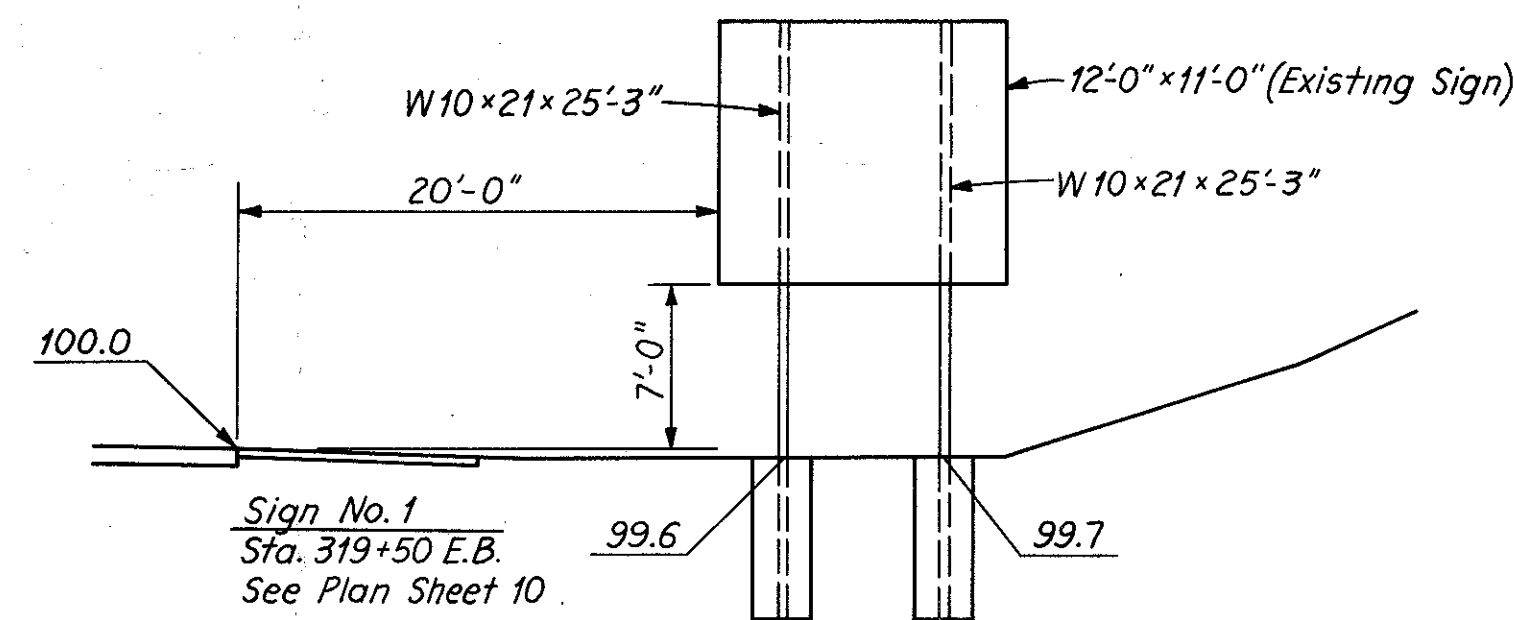


SIGN SUPPORT DETAILS

FED. RD. DIVISION	STATE	PROJECT
5	OHIO	

88
111

LAKE COUNTY
LAK. 90-356



SCALE 1/4" = 1'-0"
 MADE L.J.G. DATE 06/26/72
 TRCD J.S.C. DATE 06/26/72
 CRD D.S.M. DATE 06/27/72
 HOWARD, NEEDLES, TAMMEN & BERGENDOFF
 CONSULTING ENGINEERS
 KANSAS CITY CLEVELAND NEW YORK