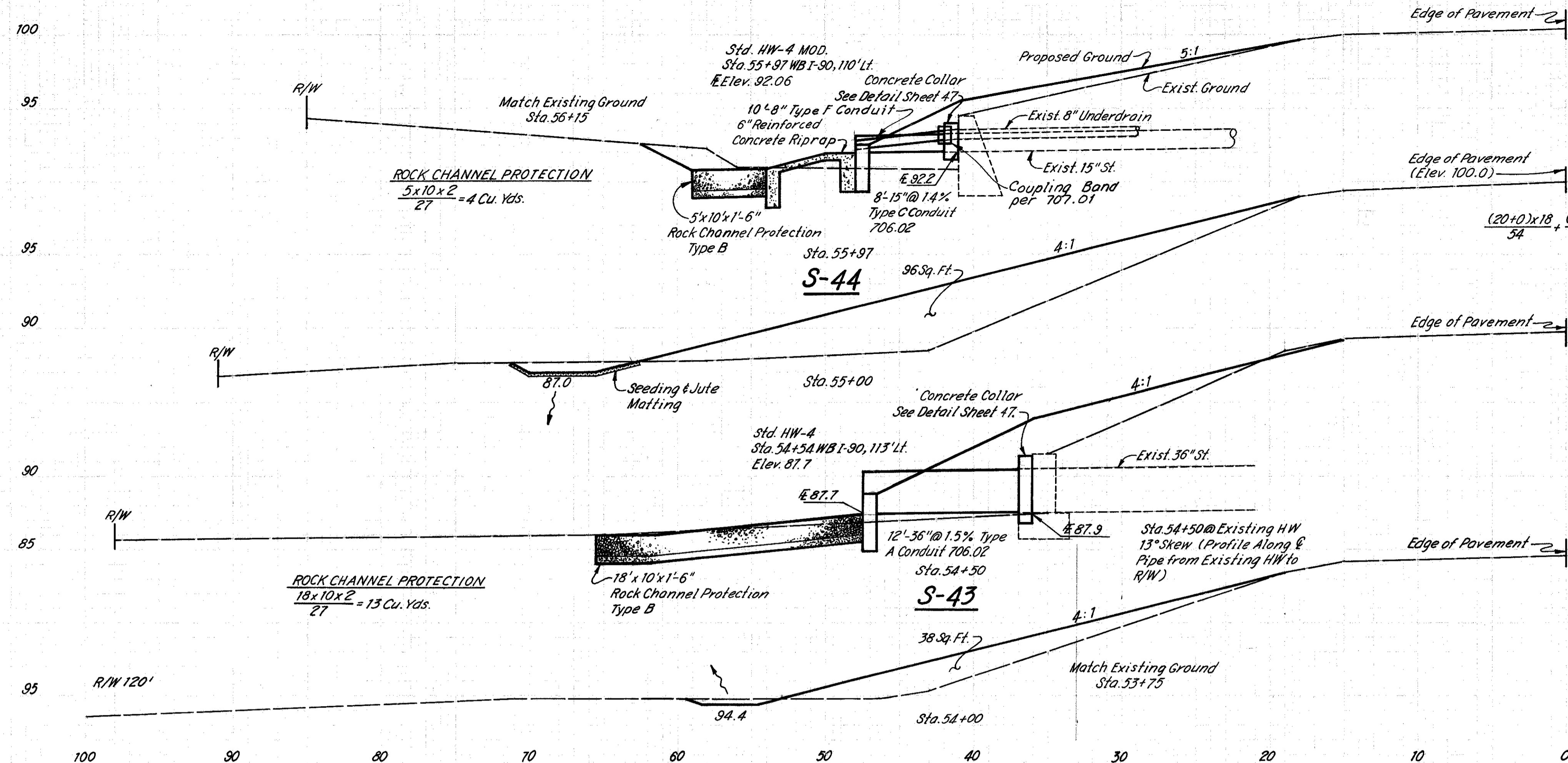


QUANTITIES  
Made: RAE 5-10-72  
Ckd: LJD 5-15-72



SEEDING AND MULCHING  
 $\frac{36 \times 240}{9} = 960 \text{ Sq. Yds.}$

EXCAVATION  
 $\frac{(9+0) \times 161}{54} = 15 \text{ Cu. Yds.}$

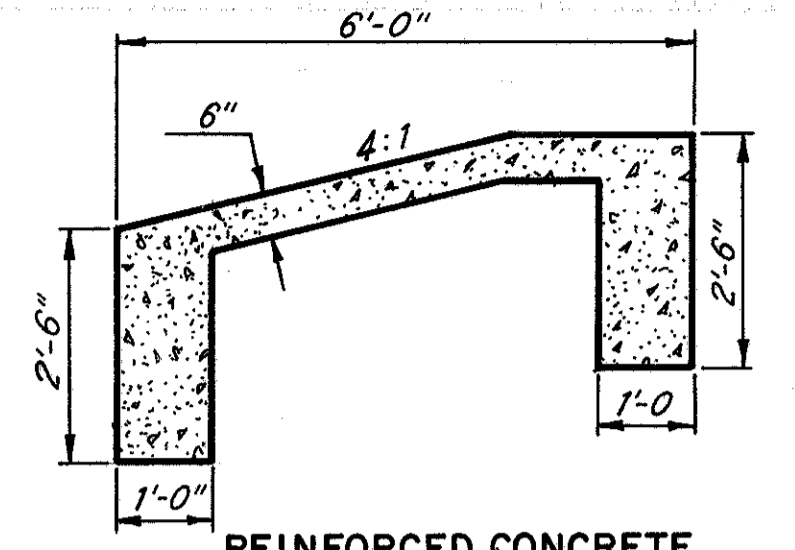
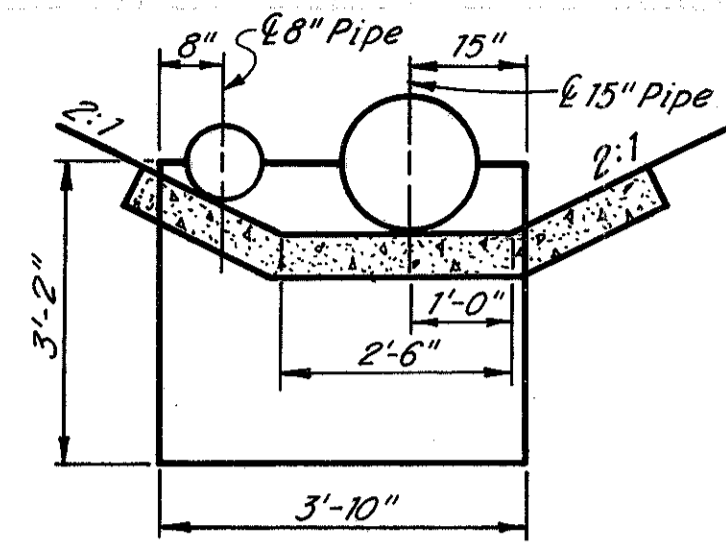
EMBANKMENT  
 $\frac{(20+0) \times 18}{54} + \frac{(96+20) \times 97}{54} + \frac{20 \times 8}{27} = 221 \text{ Cu. Yds.}$

SEEDING & JUTE MATTING  
 $\frac{130 \times 8}{9} = 115 \text{ Sq. Yds.}$

EMBANKMENT  
 $\frac{(96+57) \times 46}{54} + \frac{18 \times 15}{27} = 140 \text{ Cu. Yds.}$

EXCAVATION  
 $\frac{(6+0) \times 79}{54} = 9 \text{ Cu. Yds.}$

EMBANKMENT  
 $\frac{(57+38) \times 54}{54} + \frac{(38+0) \times 25}{54} = 112 \text{ Cu. Yds.}$

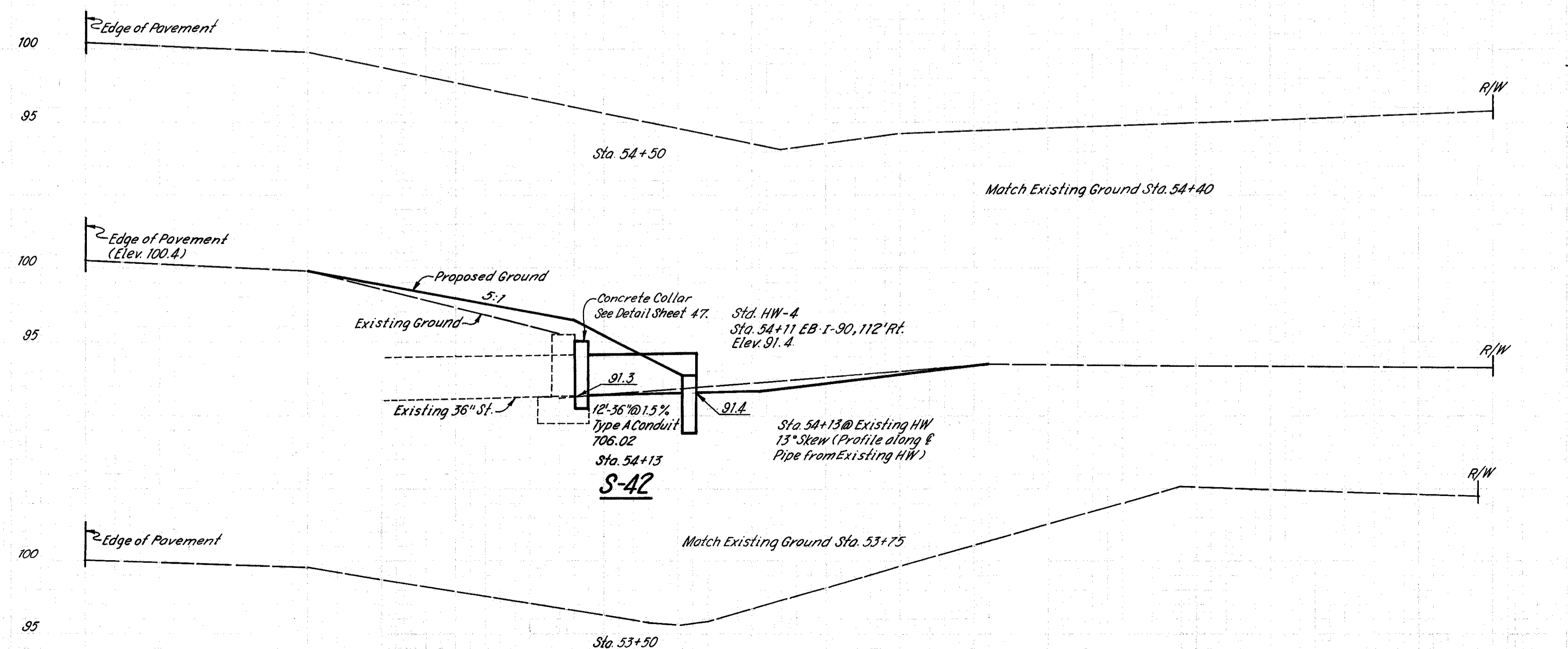


HEADWALL DETAIL  
STD. HW-4 MOD.

Scale: 1/2" = 1'-0"

ESTIMATED QUANTITIES S-43 & S-44			
ITEM	DESCRIPTION	QUANTITY	UNIT
203	Excavation	24	Cu. Yds.
203	Embarkment	473	Cu. Yds.
601	6" Reinf. Conc. Riprap	4	Sq. Yds.
601	Rock Channel Protection Type B	17	Cu. Yds.
602	Concrete Masonry	1.07	Cu. Yds.
603	15" Conduit Type C 706.02 As per plan	8	Lin. Ft.
603	36" Conduit Type A 706.02 As per plan	12	Lin. Ft.
603	8" Conduit Type F	10	Lin. Ft.
659	Seeding & Mulching	960	Sq. Yds.
667	Seeding & Jute Matting	115	Sq. Yds.

(For Plan View See Sheet No. 29)



SEEDING AND MULCHING  
 $\frac{30 \times 65}{9} = 216 \text{ Sq. Yds.}$

EXCAVATION  
 $\frac{7 \times 12}{27} = 3 \text{ Cu. Yds.}$

EMBANKMENT  
 $\frac{(20+0) \times 63}{54} + \frac{20 \times 13}{27} = 34 \text{ Cu. Yds.}$

ESTIMATED QUANTITIES S-42			
ITEM	DESCRIPTION	QUANTITY	UNIT
203	Excavation	3	Cu. Yds.
203	Embarkment	34	Cu. Yds.
602	Concrete Masonry	0.69	Cu. Yds.
603	36" Conduit Type A 706.02 As per plan	12	Lin. Ft.
659	Seeding & Mulching	216	Sq. Yds.

(For Plan View See Sheet No. 29)

4-15-72  
 4-15-72  
 5-10-72  
 5-10-72  
 5-15-72  
  
 S.C. & T.A.F.  
 R.A.E.  
 R.A.E.  
 L.J.D.