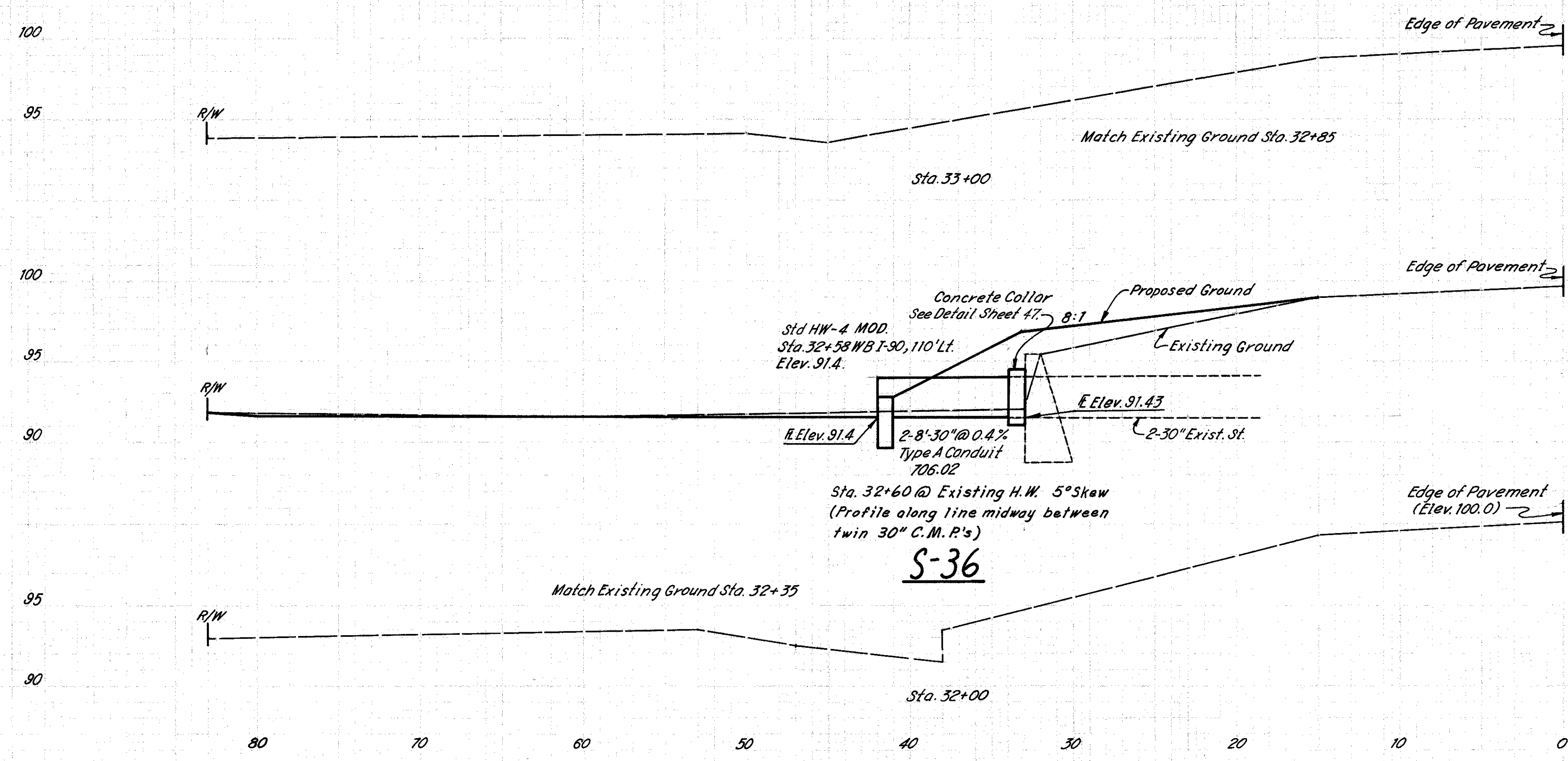


LAKE COUNTY
LAK-90-3.56

QUANTITIES
Made: RAE 4-21-72
Ckd: LJD 5-3-72



EXCAVATION
 $\frac{17 \times 6}{27} = 4 \text{ Cu. Yds.}$

EMBANKMENT
 $\frac{(30+0) \times 50}{34} + \frac{17.5 \times 20}{27} = 41 \text{ Cu. Yds.}$

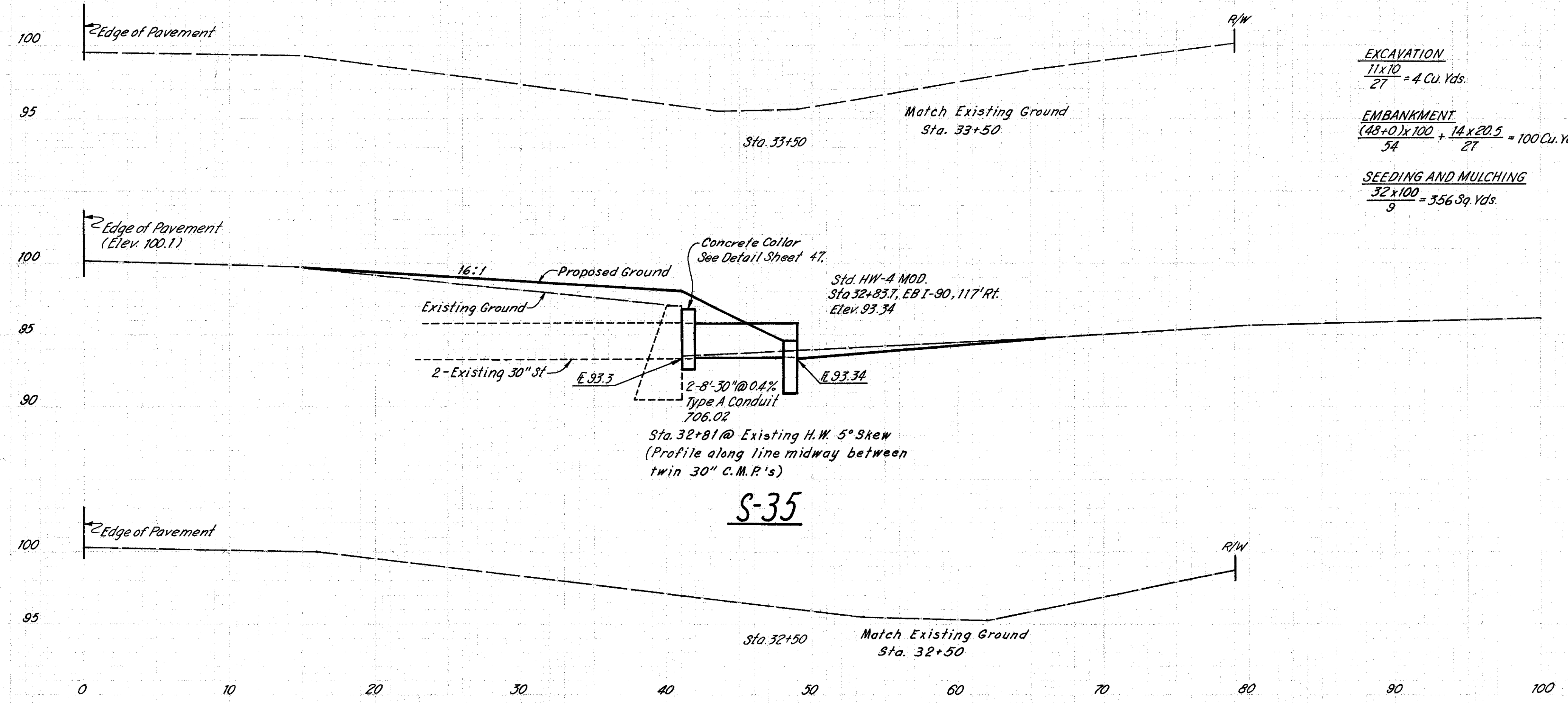
SEEDING AND MULCHING
 $\frac{50 \times 27}{9} = 150 \text{ Sq. Yds.}$

| ITEM | DESCRIPTION | QUANTITY | UNIT |
|------|--|----------|----------|
| 203 | Excavation | 4 | Cu. Yds. |
| 203 | Embankment | 41 | Cu. Yds. |
| 602 | Concrete Masonry | 1.26 | Cu. Yds. |
| 603 | 30" Conduit Type A 706.02' As per plan | 16 | Lin. Ft. |
| 659 | Seeding & Mulching | 150 | Sq. Yds. |

(For Plan View See Sheet No. 29)

3-10-72
 4-5-72
 4-21-72
 4-21-72
 5-3-72

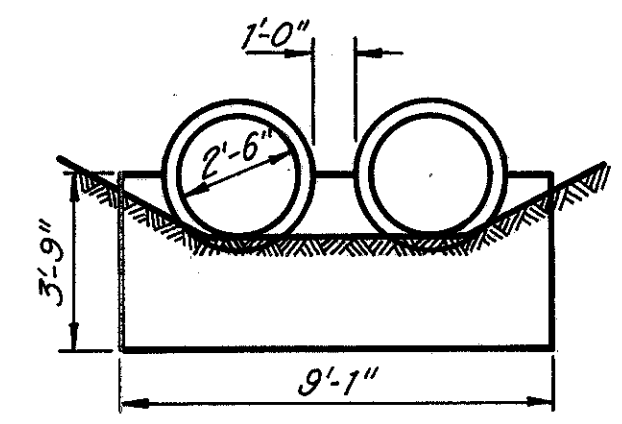
 H.S.H.
 R.A.E.
 R.A.E.
 L.J.D.



EXCAVATION
 $\frac{11 \times 10}{27} = 4 \text{ Cu. Yds.}$

EMBANKMENT
 $\frac{(48+0) \times 100}{54} + \frac{14 \times 202.5}{27} = 100 \text{ Cu. Yds.}$

SEEDING AND MULCHING
 $\frac{32 \times 100}{9} = 356 \text{ Sq. Yds.}$



HEADWALL DETAIL
ELEVATION
(STD. HW-4 MOD)
Scale: 1/4" = 1'-0"

| ITEM | DESCRIPTION | QUANTITY | UNIT |
|------|--|----------|----------|
| 203 | Excavation | 4 | Cu. Yds. |
| 203 | Embankment | 100 | Cu. Yds. |
| 602 | Concrete Masonry | 1.26 | Cu. Yds. |
| 603 | 30" Conduit Type A 706.02' As per plan | 16 | Lin. Ft. |
| 659 | Seeding & Mulching | 356 | Sq. Yds. |

(For Plan View See Sheet No. 29)