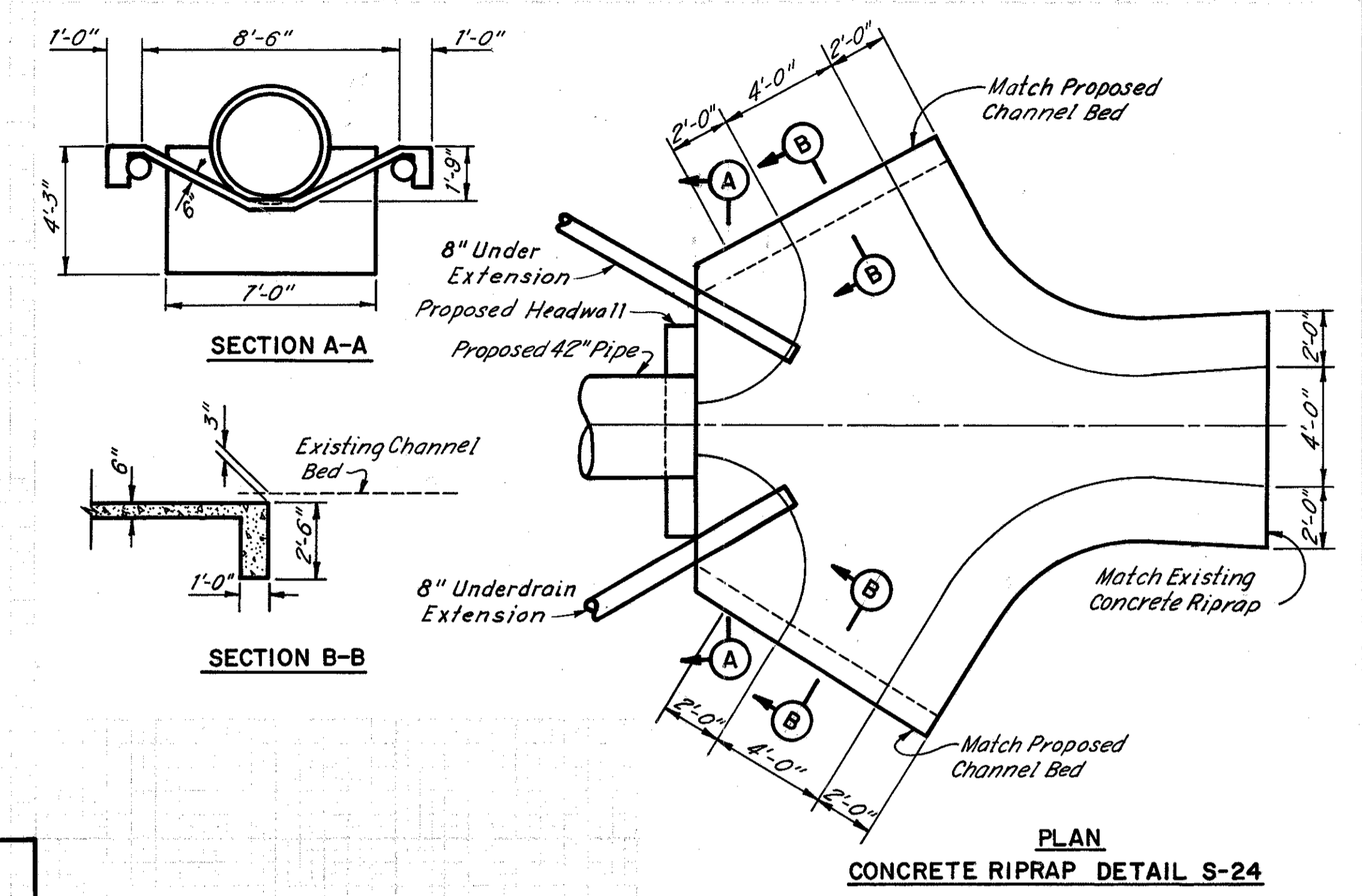
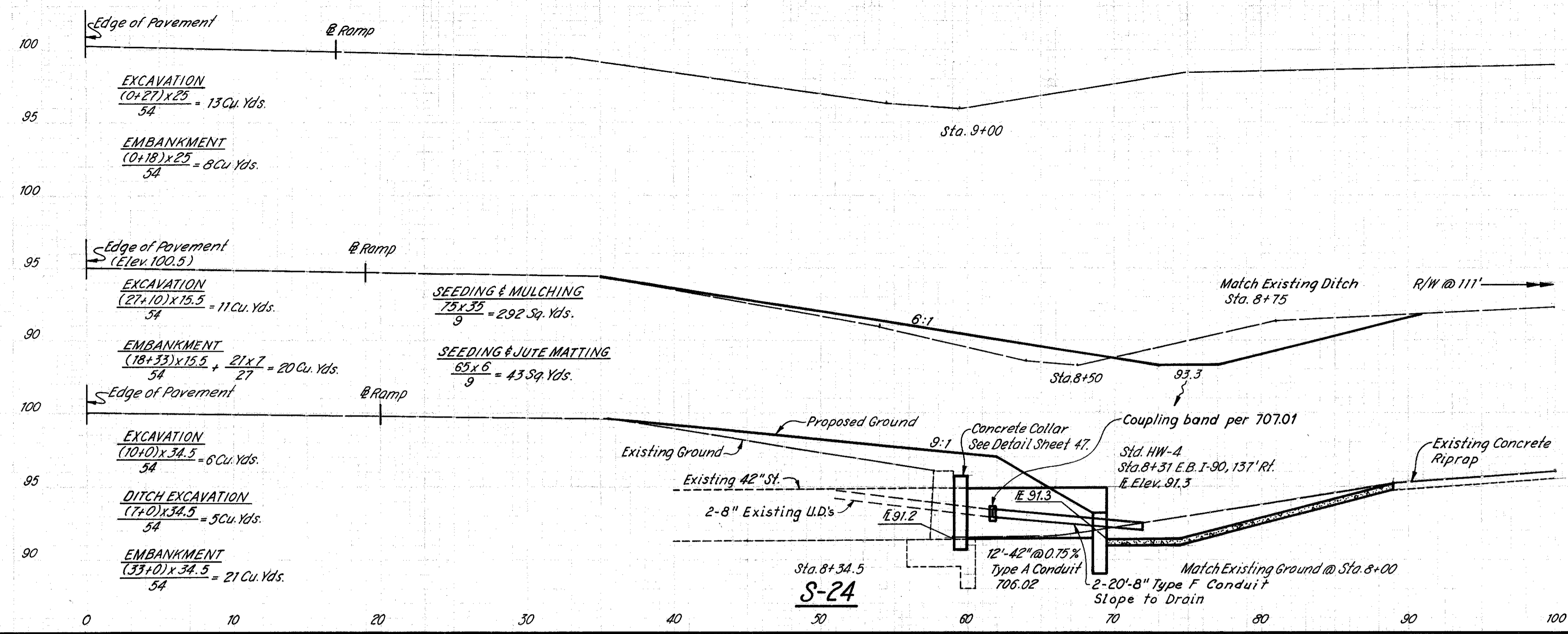


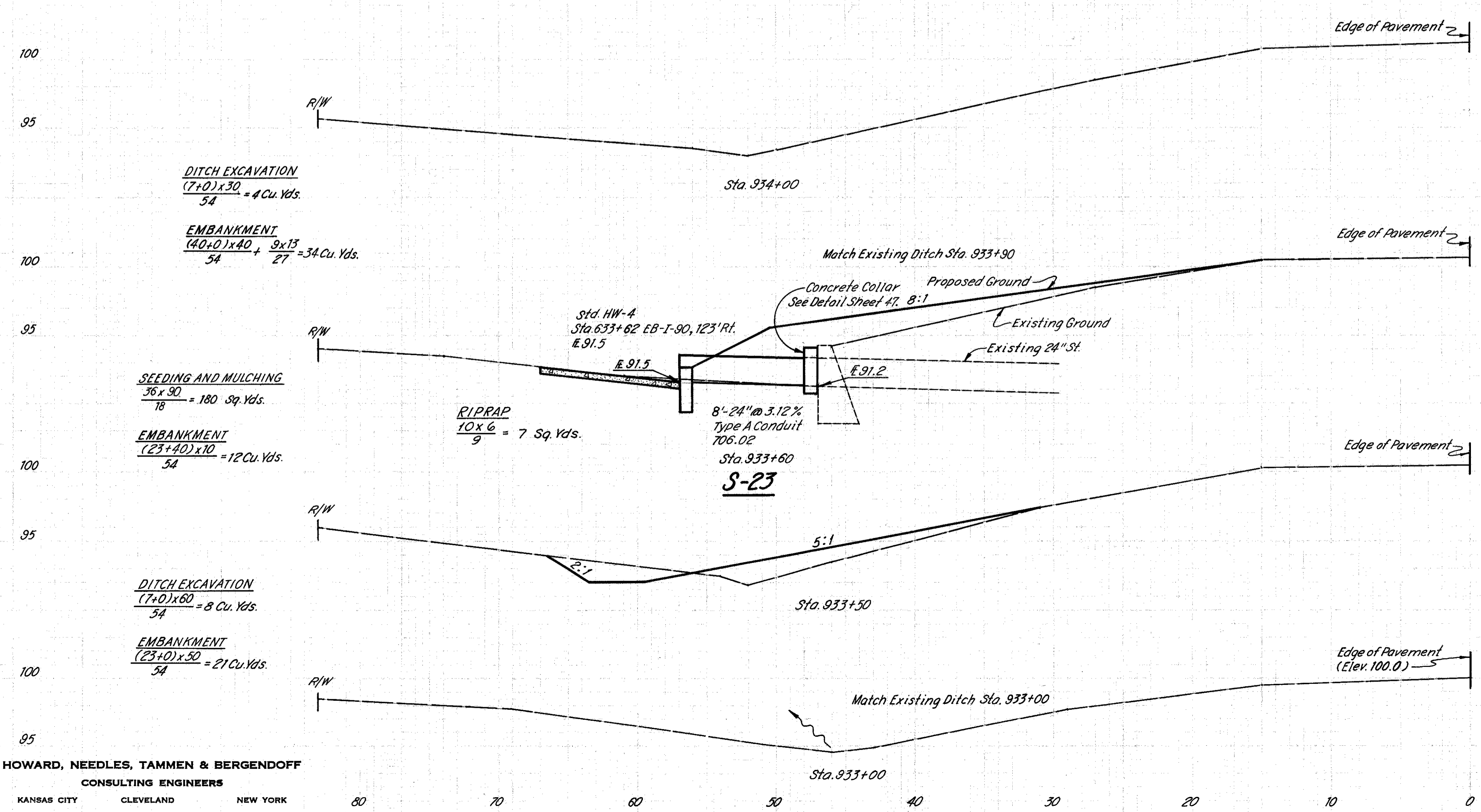
QUANTITIES  
Made: DSM 4-11-72  
Ckd: LJD 5-8-72



ESTIMATED QUANTITIES S-24

ITEM	DESCRIPTION	QUANTITY	UNIT
203	Excavation	35	Cu. Yds.
203	Embankment	49	Cu. Yds.
601	6" Reinf. Conc. Riprap	25	Sq. Yds.
602	Concrete Masonry	0.84	Cu. Yds.
603	42" Conduit Type A	12	Lin. Ft.
	706.02 As per plan		
659	Seeding & Mulching	292	Sq. Yds.
667	Seeding & Jute Matting	43	Sq. Yds.
603	8" Conduit Type F	40	Lin. Ft.

(For Plan View See Sheet No. 28)



ESTIMATED QUANTITIES S-23

ITEM	DESCRIPTION	QUANTITY	UNIT
203	Excavation	12	Cu. Yds.
203	Embankment	67	Cu. Yds.
601	Riprap 6" Reinf. Conc.	7	Sq. Yds.
602	Concrete Masonry	0.43	Cu. Yds.
603	24" Conduit Type A	8	Lin. Ft.
	706.02 As per plan		
659	Seeding & Mulching	180	Sq. Yds.

(For Plan View See Sheet No. 26)

3-10-72  
 4-11-72  
 4-11-72  
 4-11-72  
 5-8-72  
 H.C. & H.C.  
 G.S.M.  
 G.S.M.  
 L.J.D. & R.A.E.