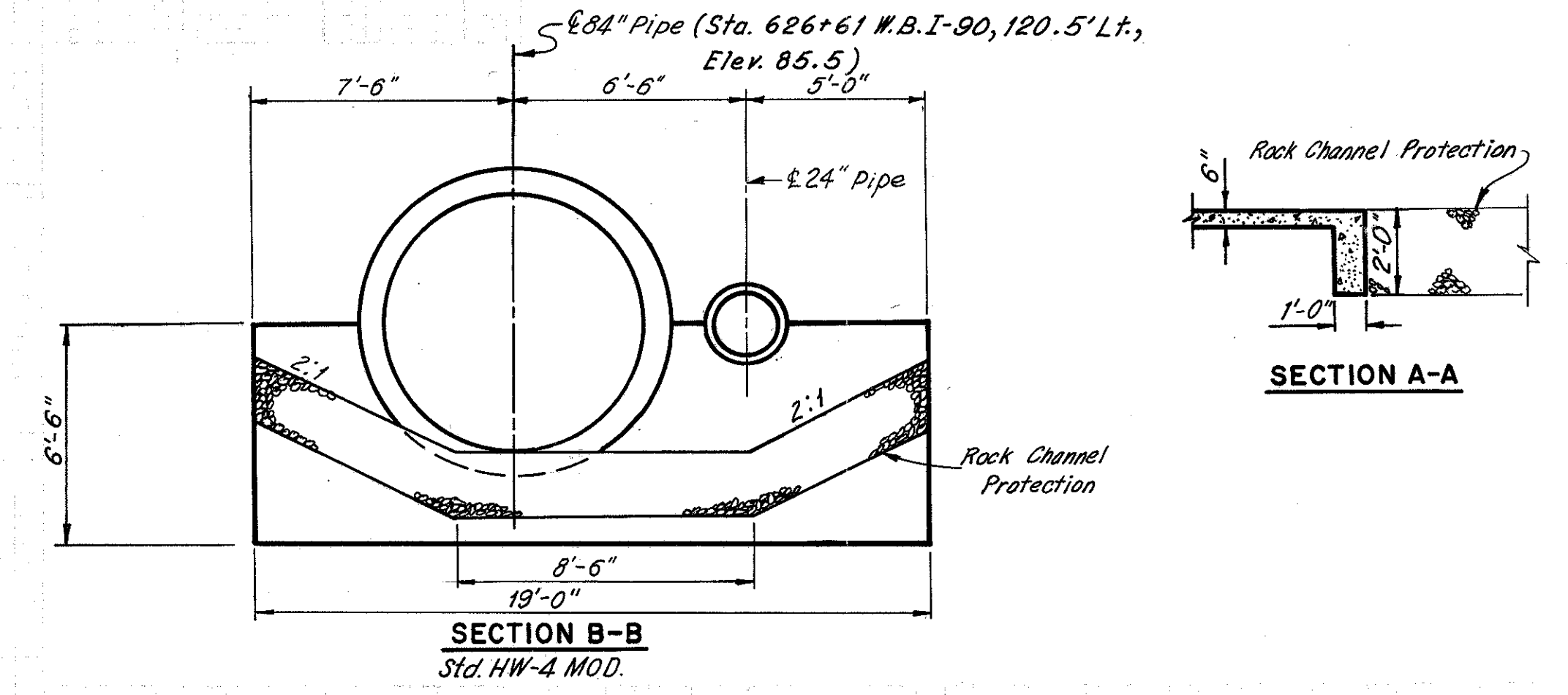
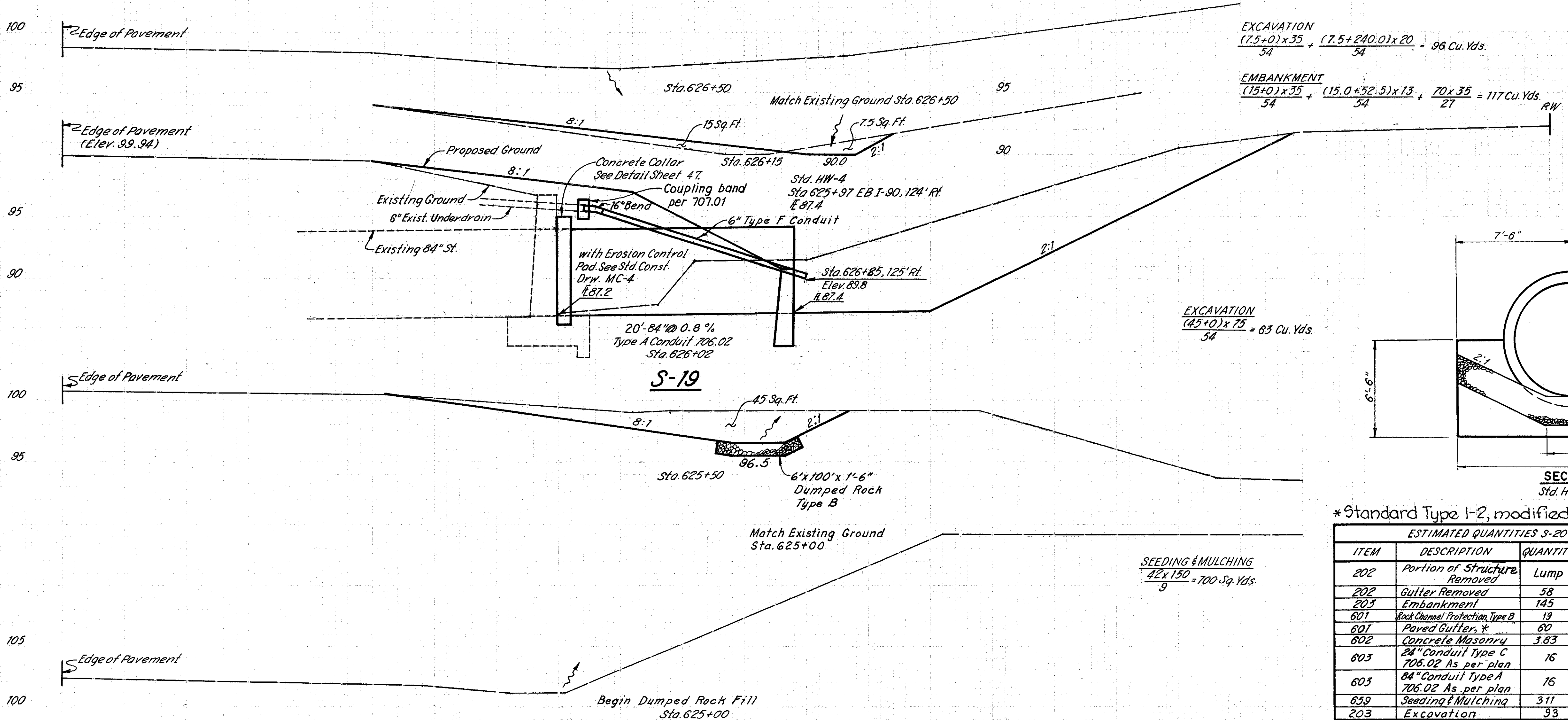
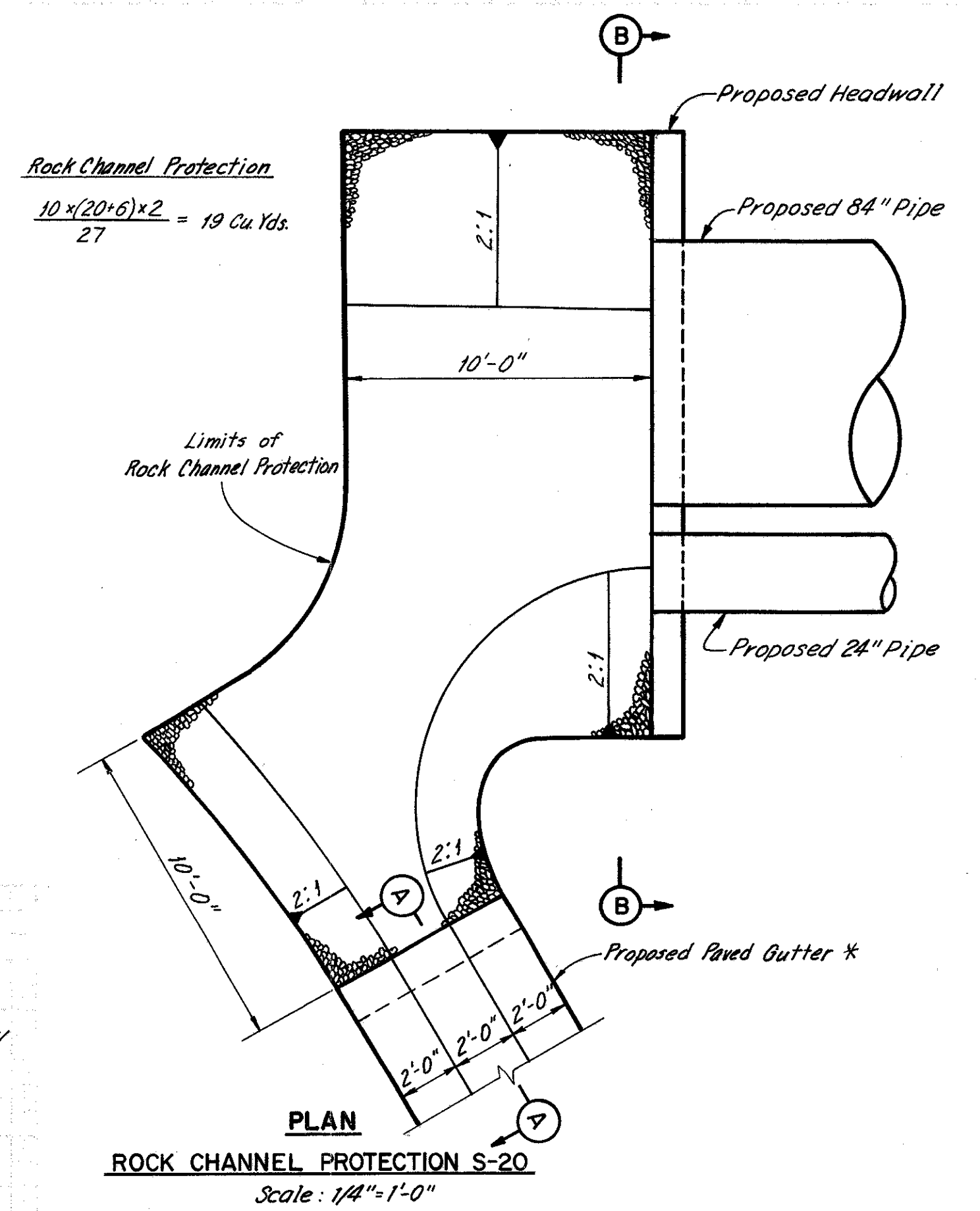
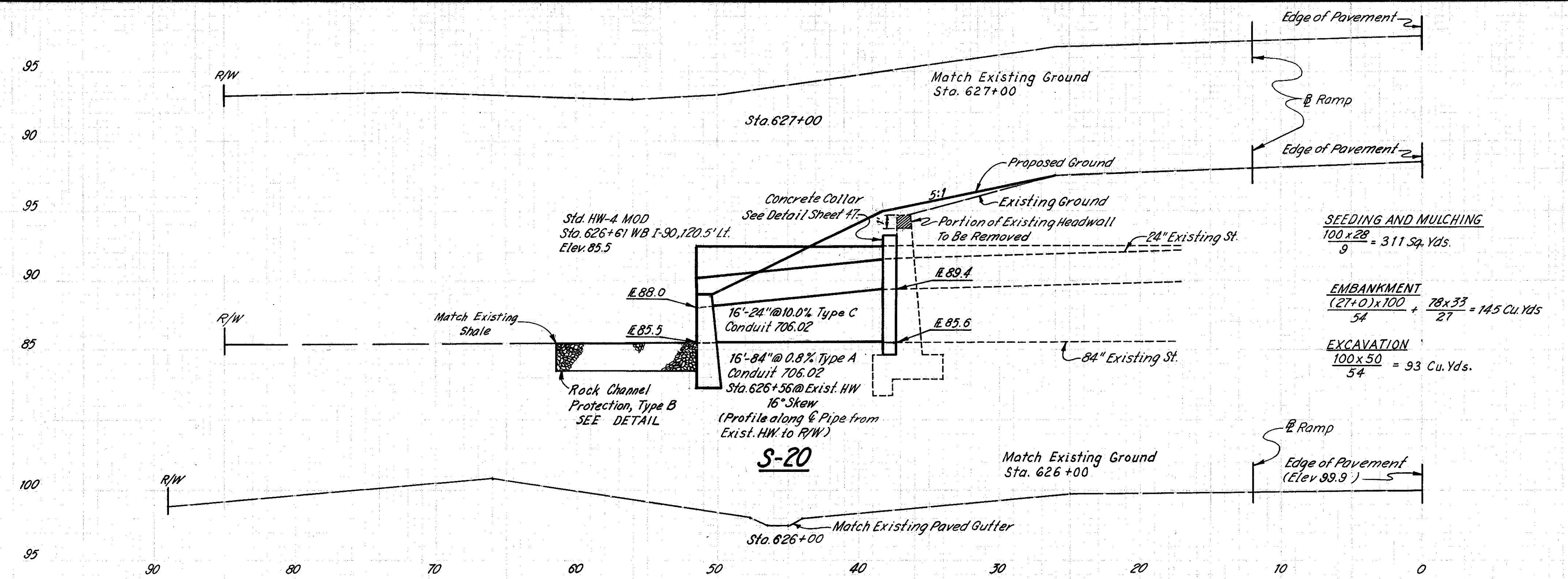


QUANTITIES
Made: DSM 5-3-72
Ckd: LJD 5-10-72



*Standard Type 1-2, modified as per plan

ESTIMATED QUANTITIES S-20			
ITEM	DESCRIPTION	QUANTITY	UNIT
202	Portion of Structure Removed	Lump	Lump Sum
202	Gutter Removed	58	Lin. Ft.
203	Embankment	145	Cu. Yds.
601	Rock Channel Protection Type B	19	Cu. Yds.
601	Paved Gutter *	60	Lin. Ft.
602	Concrete Masonry	3.83	Cu. Yds.
603	24" Conduit Type C 706.02 As per plan	16	Lin. Ft.
603	84" Conduit Type A 706.02 As per plan	16	Lin. Ft.
659	Seeding & Mulching	311	Sq. Yds.
203	Excavation	93	Cu. Yds.

ESTIMATED QUANTITIES S-19			
ITEM	DESCRIPTION	QUANTITY	UNIT
203	Excavation	159	Cu. Yds.
203	Embankment	117	Cu. Yds.
601	Dumped Rock Type B	33	Cu. Yds.
602	Concrete Masonry	4.05	Cu. Yds.
603	84" Conduit Type A 706.02 As per plan	20	Lin. Ft.
603	6" Conduit Type F	20	Lin. Ft.
659	Seeding & Mulching	700	Sq. Yds.

(For Plan View See Sheet No. 22.)

(For Plan View See Sheet No. 22.)