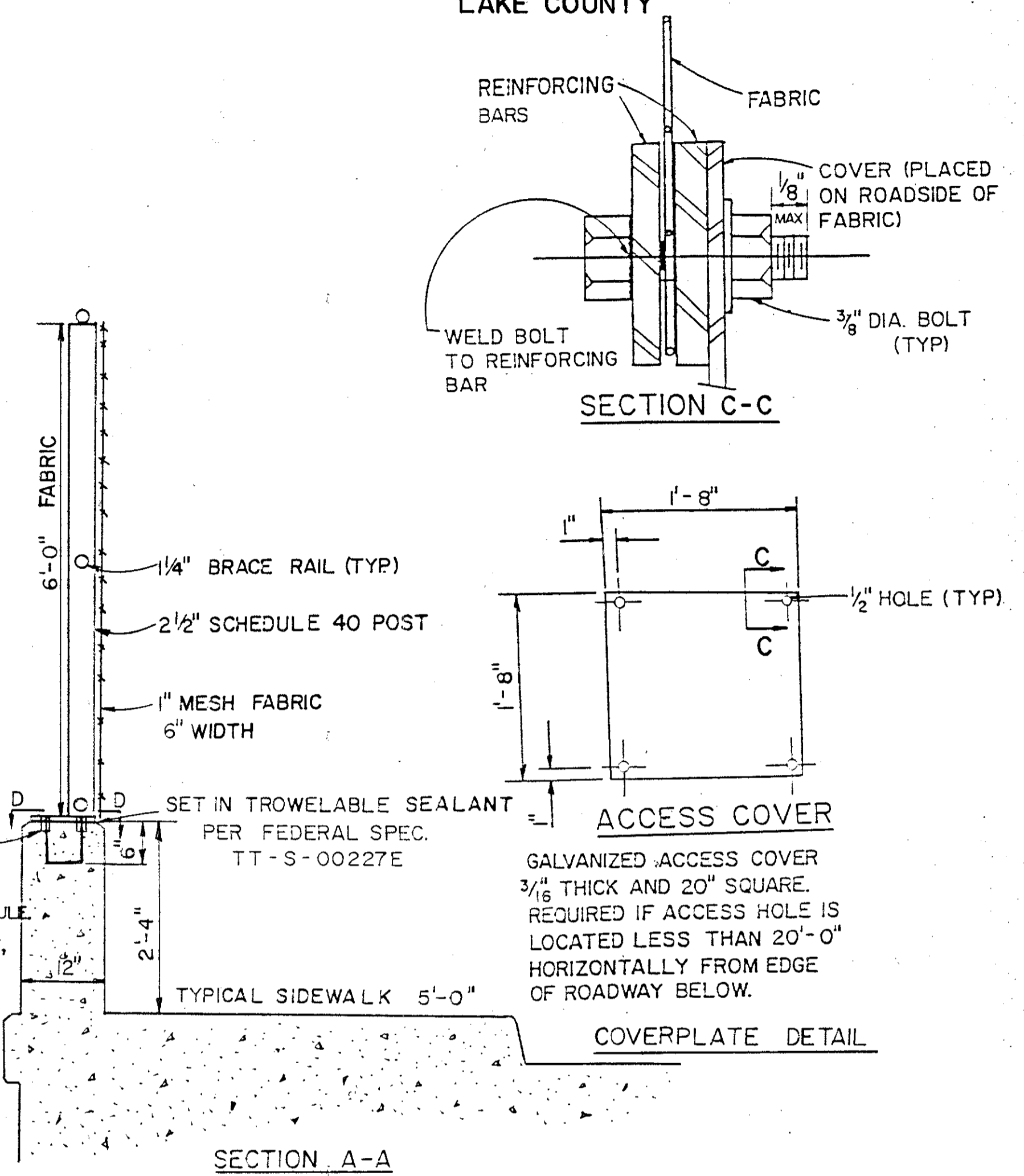
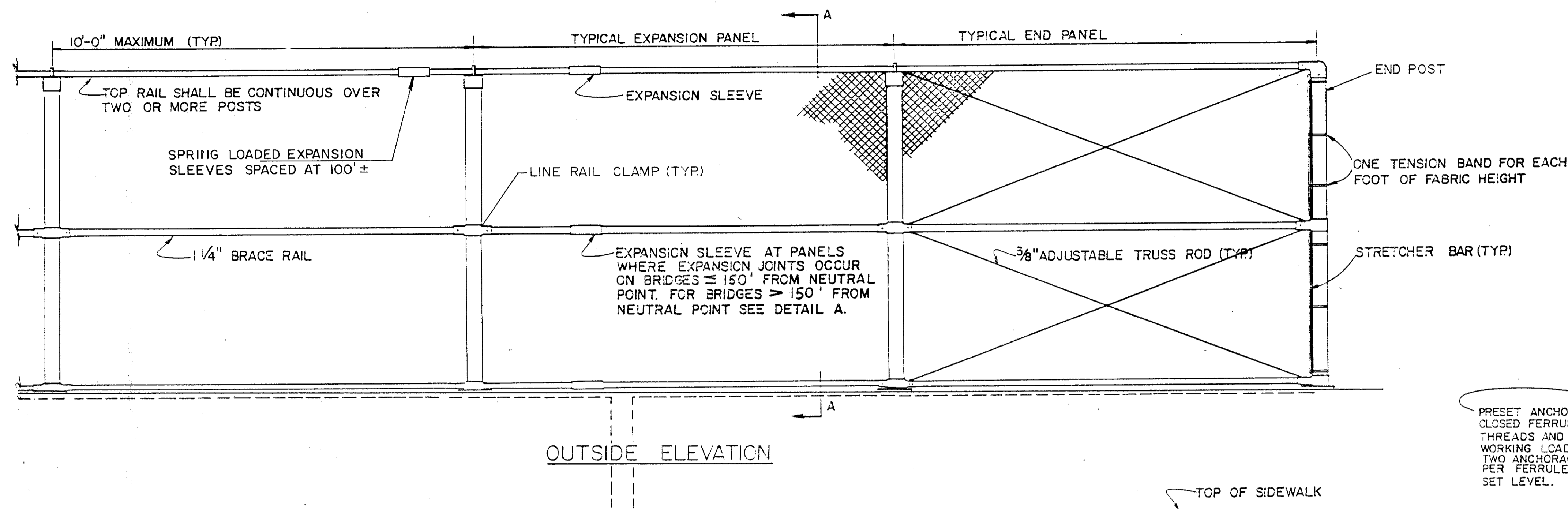
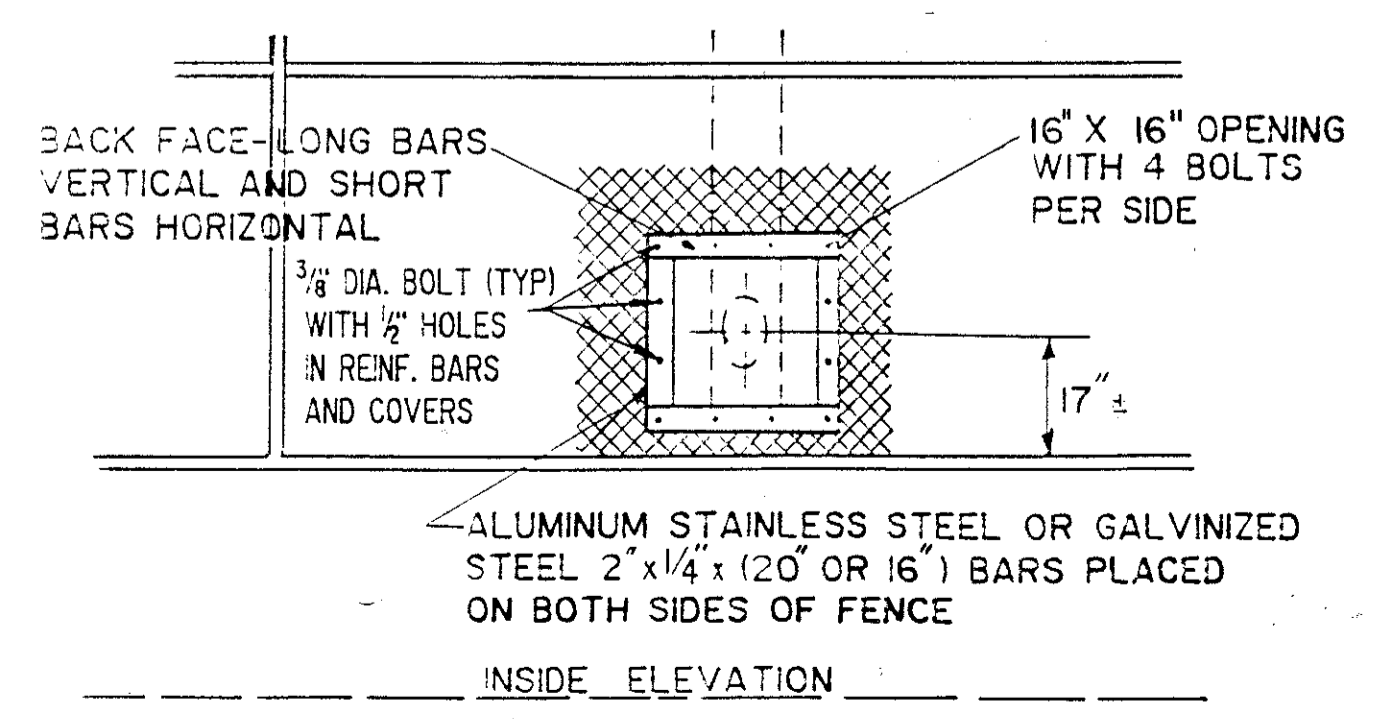
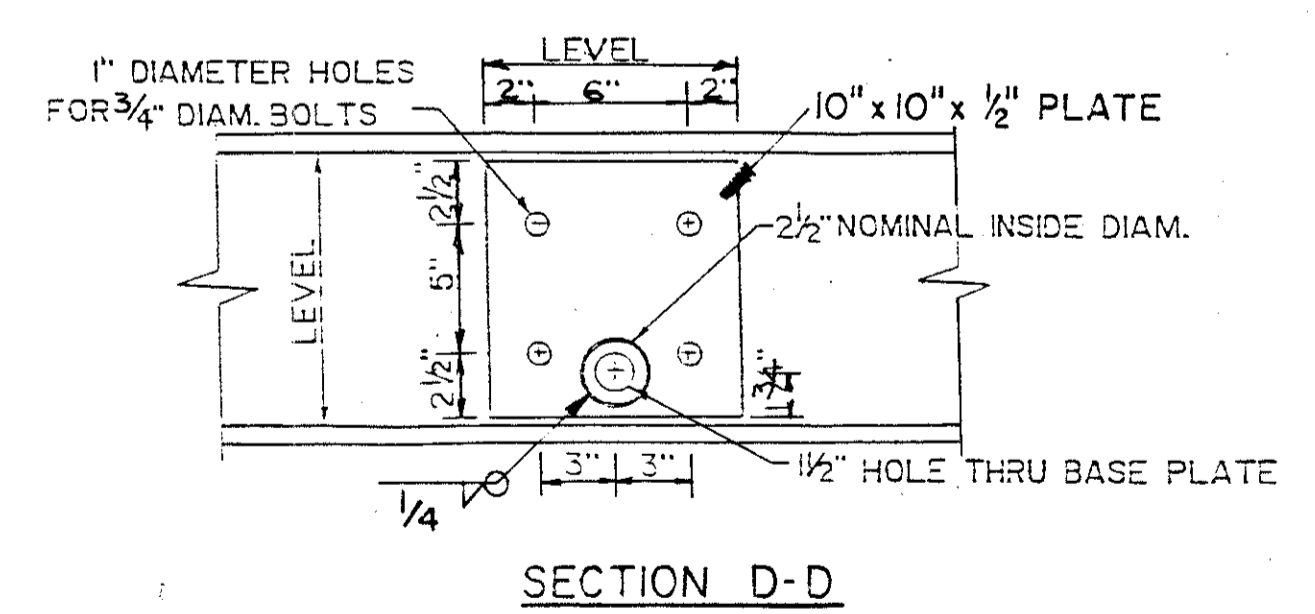
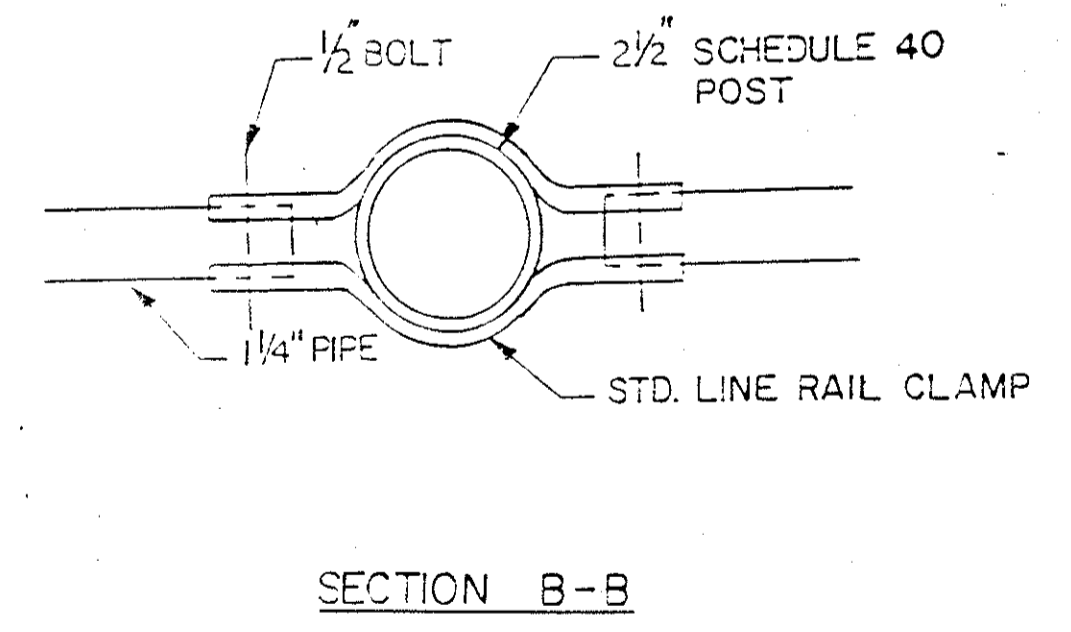
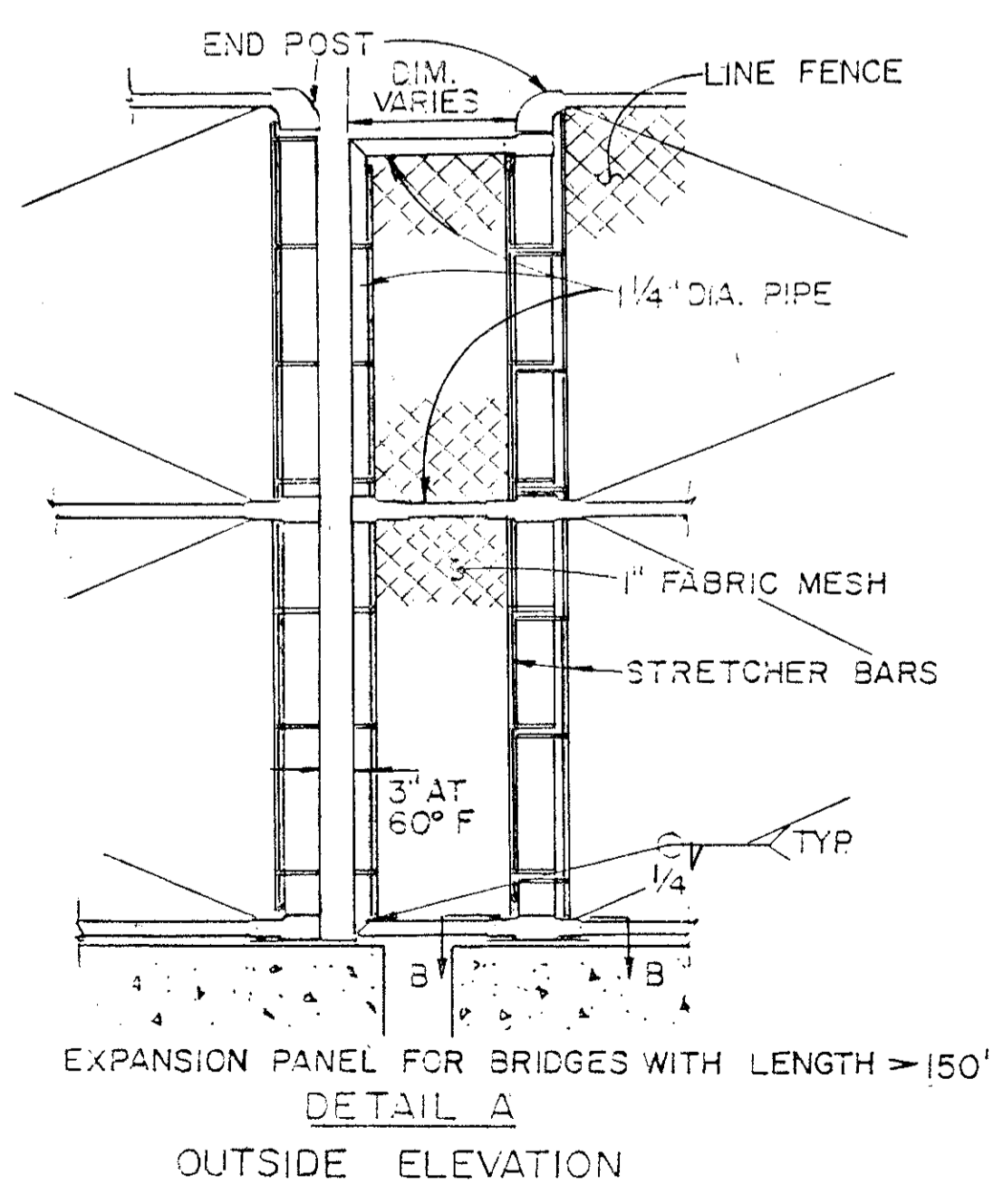


LAK-90-3.28
LAKE COUNTY



FENCE TYPE CL WITH 6' FABRIC WIDTH

MATERIALS AND WORKMANSHIP SHALL MEET THE REQUIREMENTS OF ITEM 607 EXCEPT THAT ALUMINUM ALLOY POSTS SHALL NOT BE USED. CHAIN LINK FENCE SHALL CONFORM TO THE CONSTRUCTION AND MATERIALS SPECIFICATION 710.03. ALUMINUM COATED STEEL FABRIC AASHTO M-181, TYPE II, SHALL BE USED. POSTS SHALL BE VERTICAL. BRACE RAIL SHALL BE PARALLEL TO THE GRADE LINE. FENCE POSTS AND RAILS SHALL BE OF NOMINAL INSIDE DIAMETER, STANDARD WEIGHT AND WALL THICKNESS PIPE, SCHEDULE 40 UNLESS OTHERWISE NOTED. SPRING LOADED EXPANSION SLEEVES SHALL BE PROVIDED AT APPROXIMATELY 100' INTERVALS IN ALL HORIZONTAL RAILS. STRETCHER BARS AND MISCELLANEOUS HARDWARE SHALL BE THAT OF THE CHAIN-LINK FENCE INDUSTRY STANDARD. THE BASE PLATES MAY BE OF ANY COMMERCIAL WELDABLE STEEL HAVING A YIELD STRENGTH OF NOT LESS THAN 33 KSI. POSTS SHALL HAVE A YIELD STRENGTH OF 30 KSI. TENSION BANDS SHALL BE A MINIMUM OF 12 GAUGE STEEL BY 7/8" WIDE ASSEMBLED WITH 5/16" DIAMETER BY 1 1/4" BOLTS. ALL PARTS SHALL BE STEEL GALVANIZED, CONFORMING TO CMS 711.02, AND ALL GALVANIZING SHALL BE DONE AFTER FABRICATION. FIELD WELDING SHALL NOT BE PERMITTED.



STATE OF OHIO						14/16
DEPARTMENT OF TRANSPORTATION						
DISTRICT 12 BRIDGE DEPARTMENT						
TOP PARAPET VERTICAL (TPV)						
FENCE DETAIL						
BRIDGE N° LAK-90-0328						
S.R.91 OVER I-90						
LAKE COUNTY			WILLOUGHBY HILLS			
STA 26+74.51 TO STA 33+04.07						
DESIGNED	DRAWN	TRACED	CHECKED	REVIEWED	DATE	REVISED
B.G.W.	J.P.H.	J.P.H.	D.W.L.		11/90	