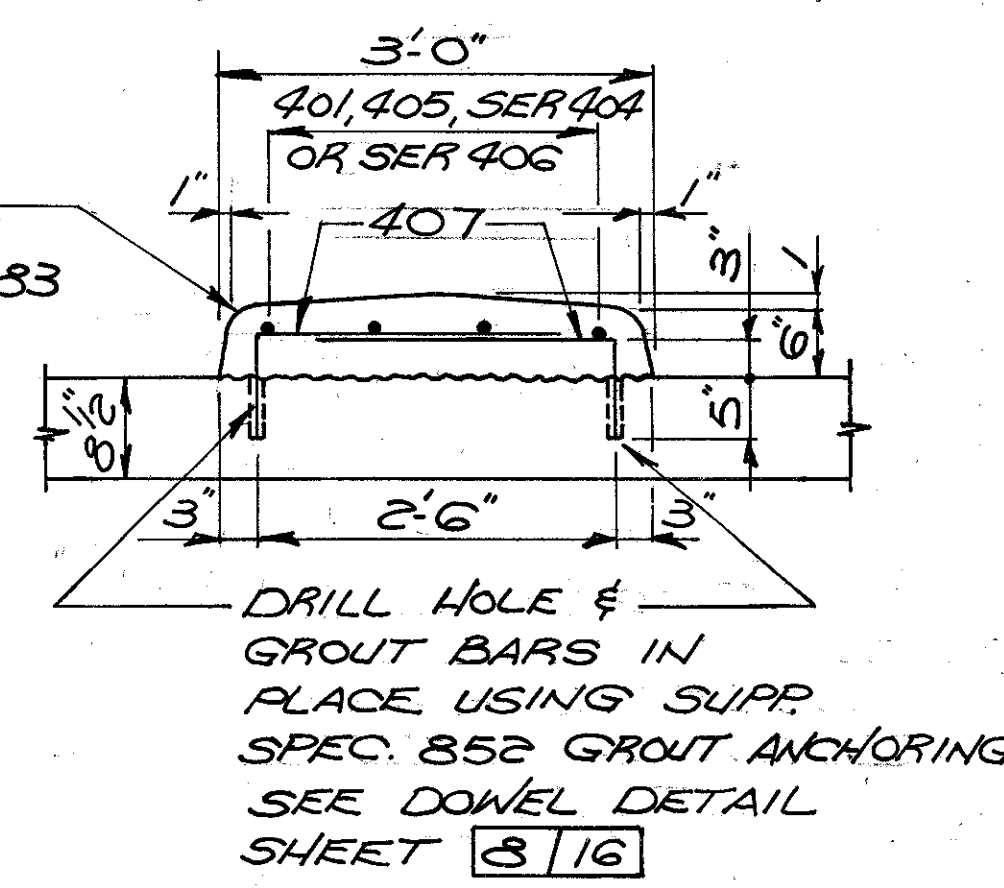
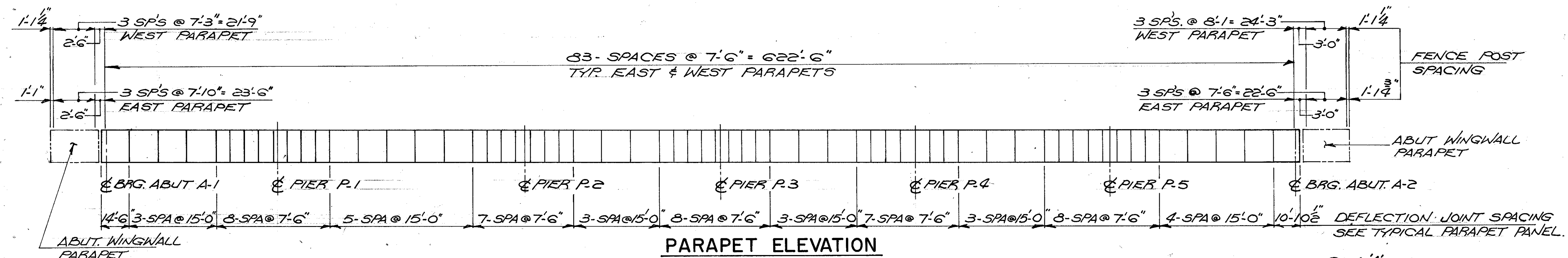


PLAN OF MEDIAN

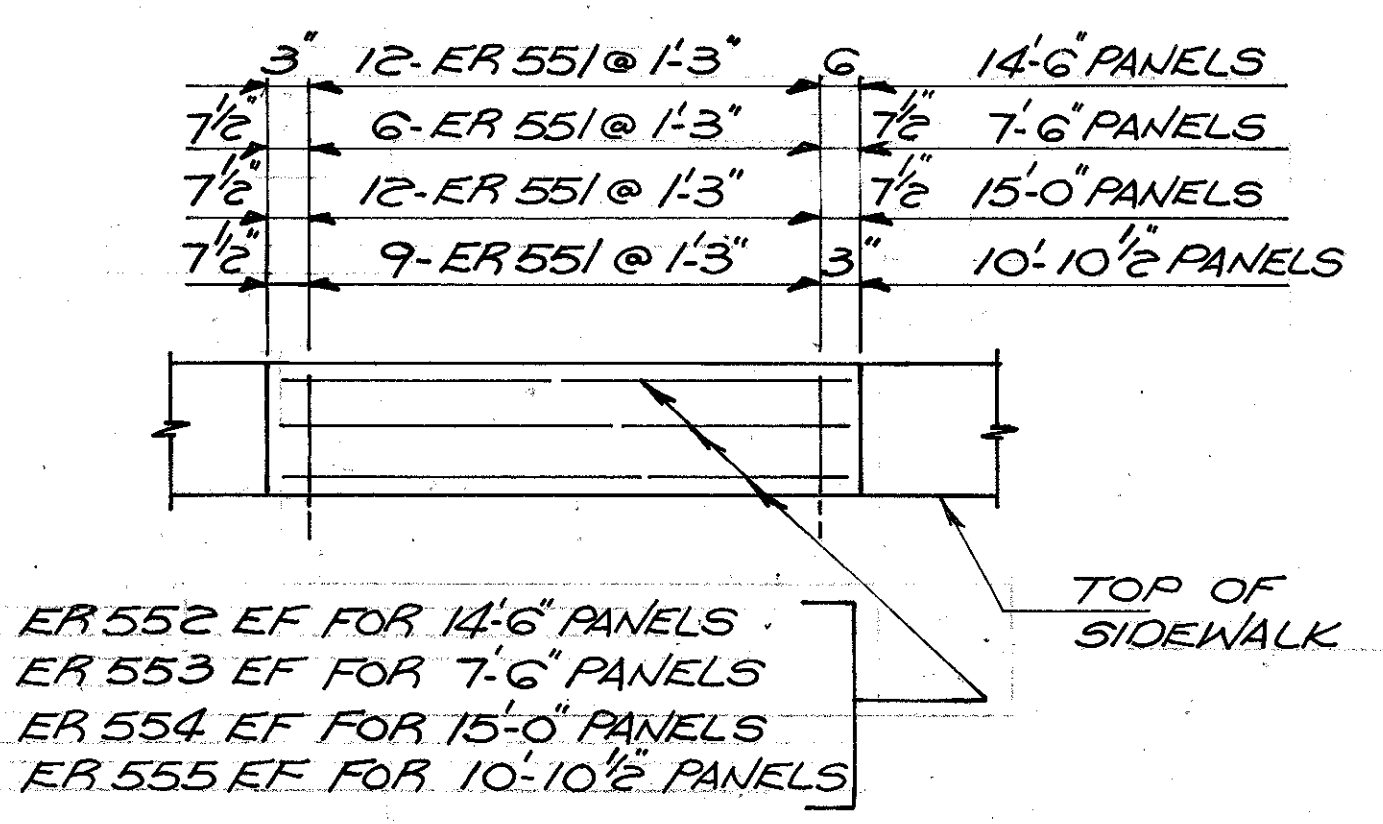


SECTION A-A

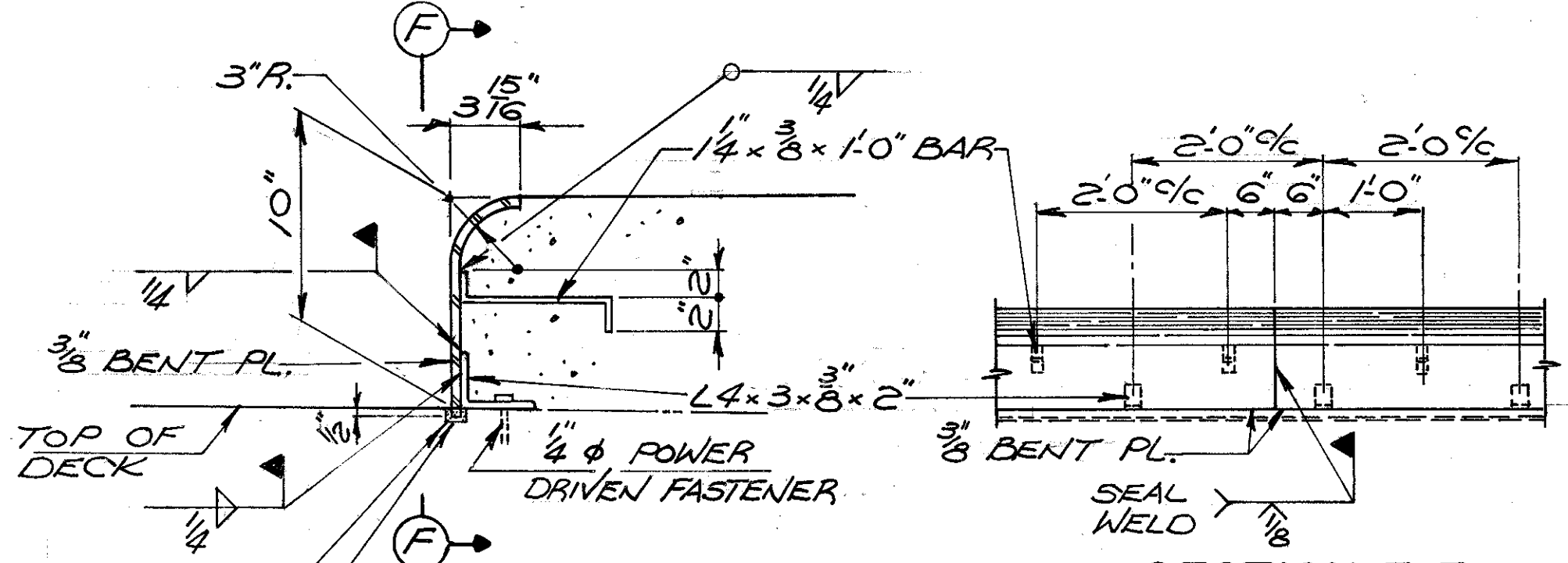
- NOTES**
- THE PREFIX "ES" SHALL BE ADDED TO ALL REINFORCING BAR MARKS UNLESS OTHERWISE NOTED. ALL BARS TO BE EPOXY COATED.
  - SEE NOTE (3) SHEET 4/16 FOR ADDITIONAL INFORMATION.
  - THE JOINT SEAL SHALL BE INSTALLED AFTER THE COMPLETION OF THE PHASE II DECK PLACEMENT. UNDER NO CIRCUMSTANCES MAY THE SEAL BE CUT AND SPLICED.



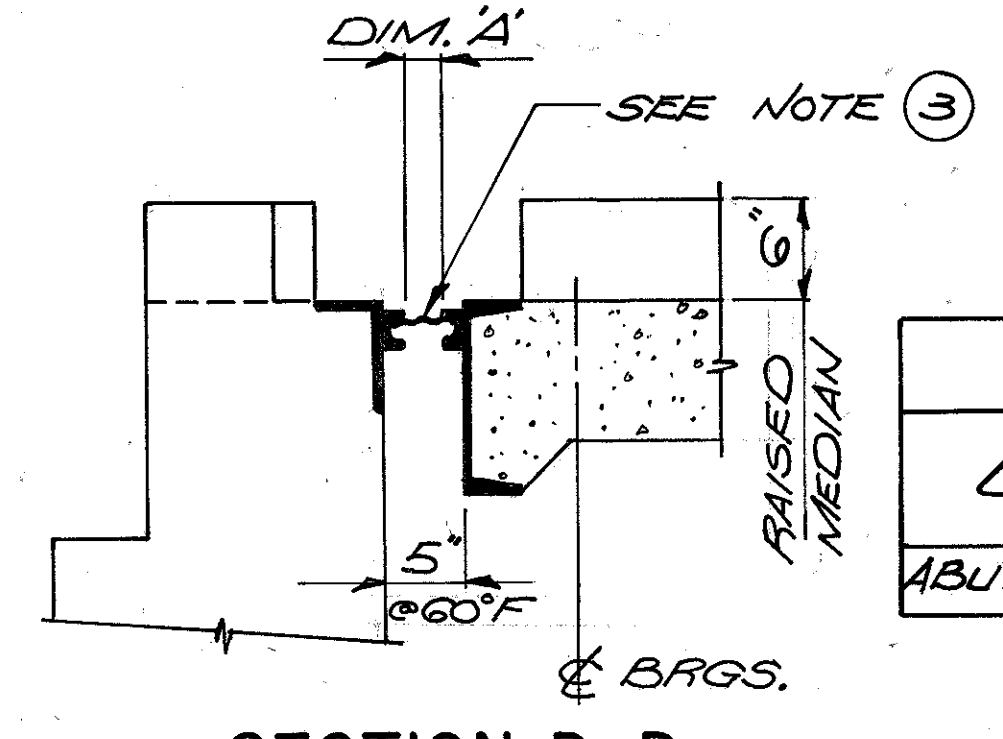
PARAPET ELEVATION



TYPICAL PARAPET PANEL

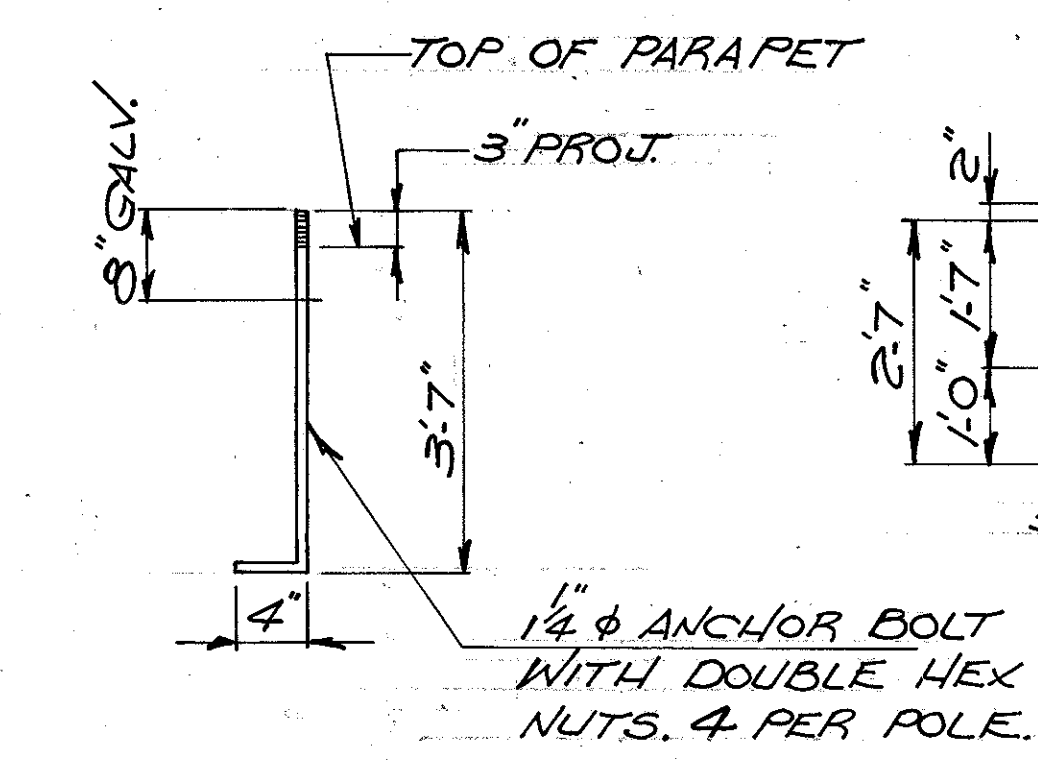


DETAIL B CURB PLATE DETAIL

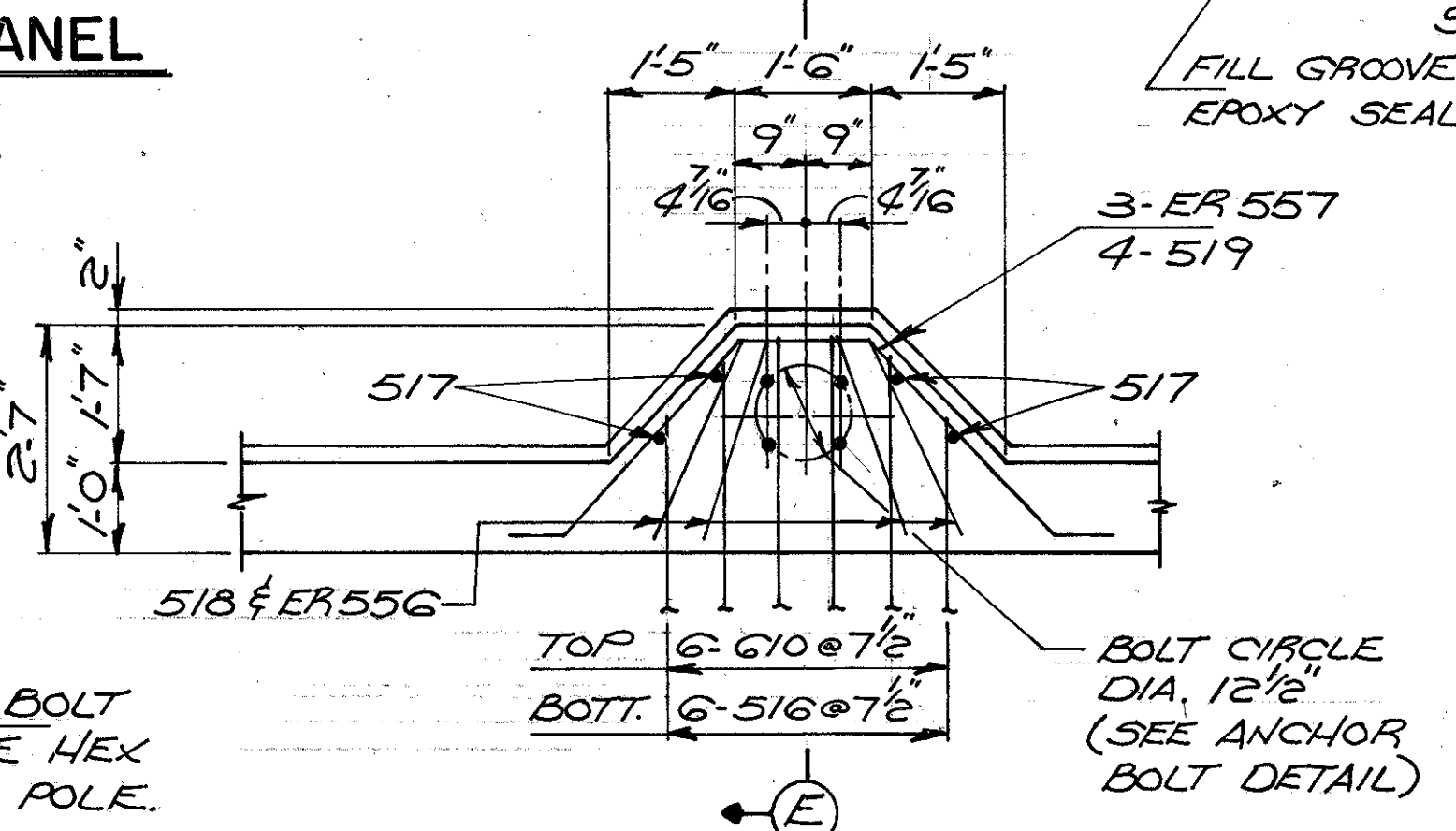


SECTION D-D

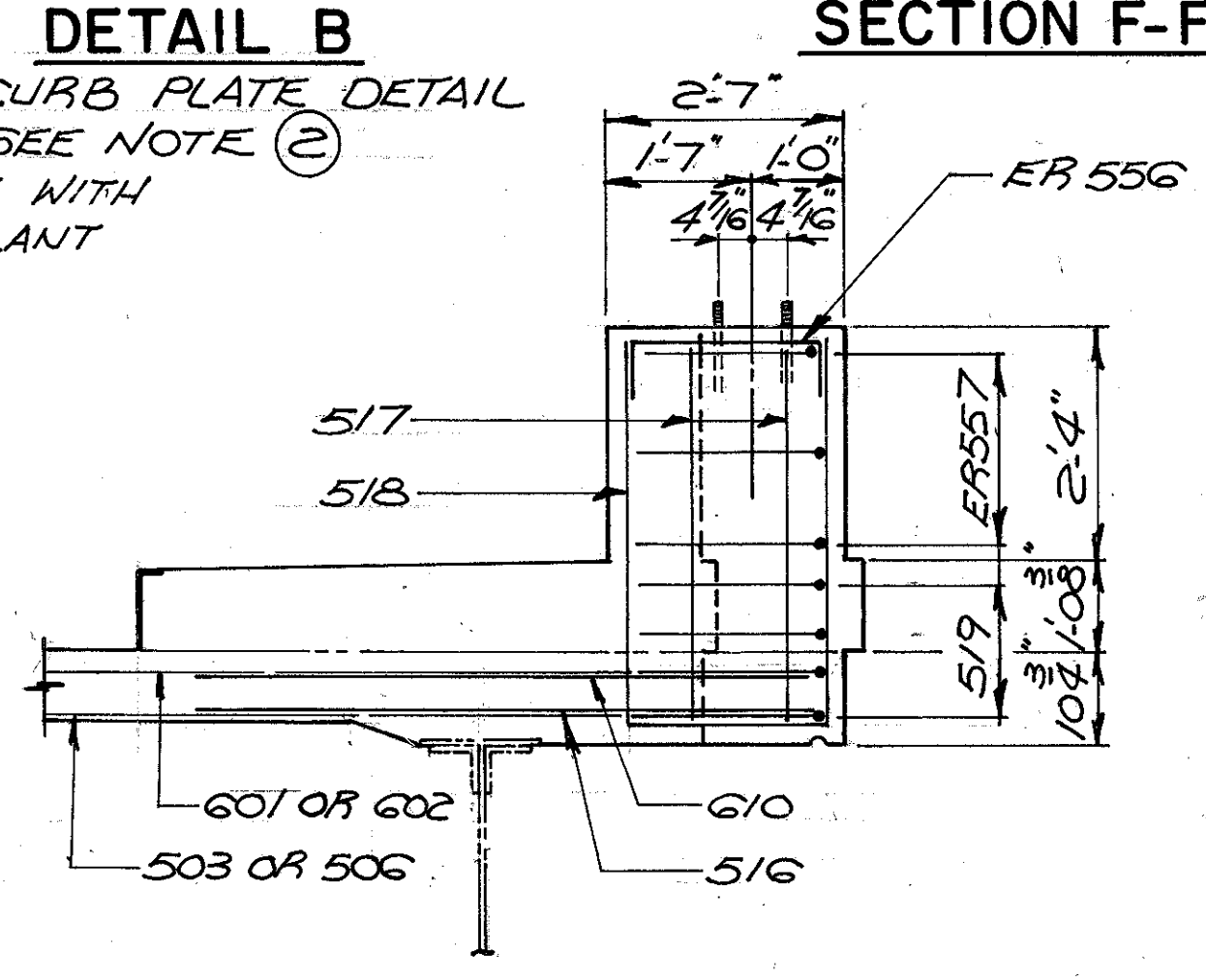
LOCATION	TEMPERATURE (°F)						
	30°	40°	50°	60°	70°	80°	90°
ABUTMENTS A-1 & A-2	3"	2 7/8"	2 1/2"	2 1/2"	2 3/4"	2 1/8"	2"



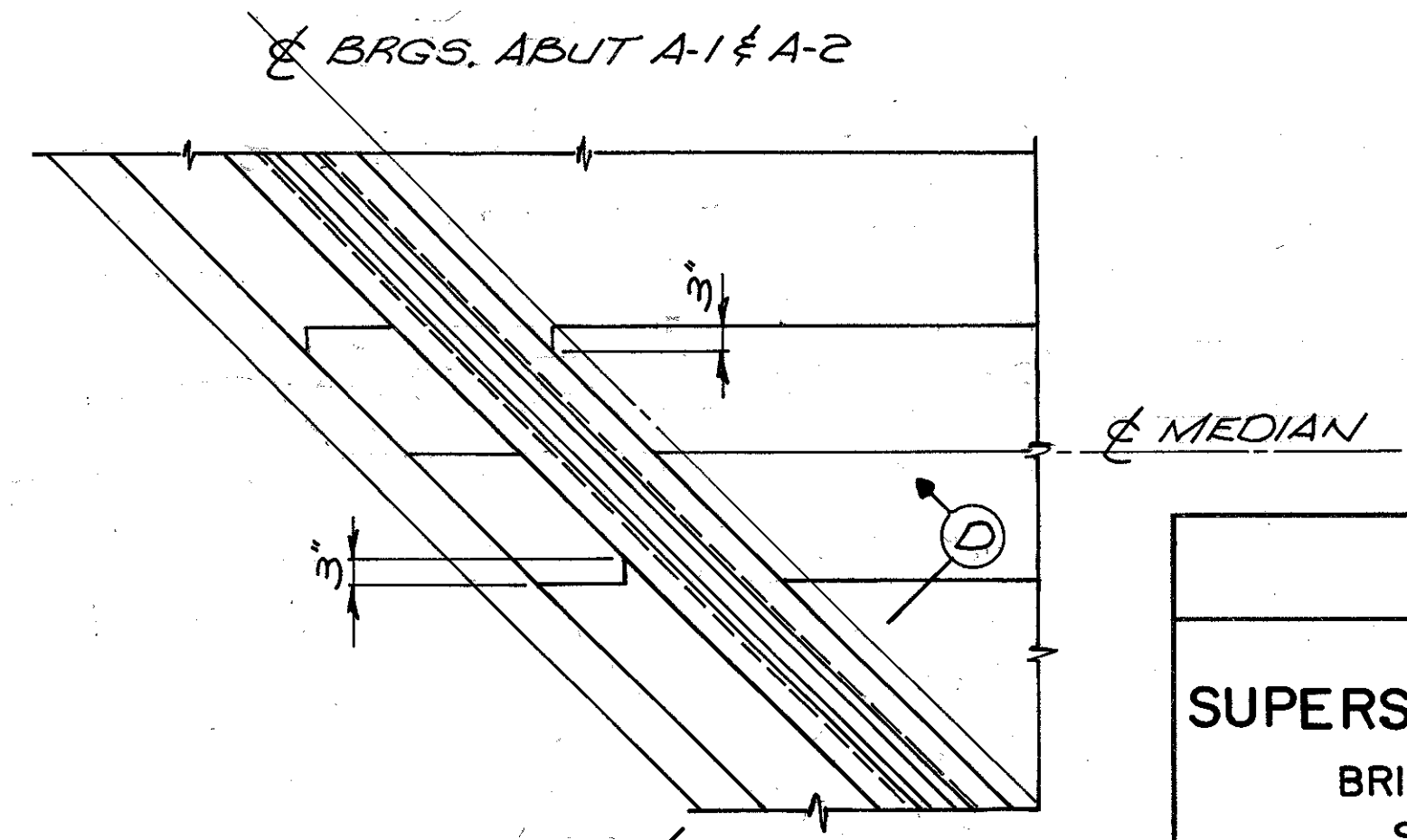
ANCHOR BOLT DETAIL



PLAN LIGHT POLE SUPPORT DETAILS



SECTION E-E



DETAIL C

URS

12/16

**SUPERSTRUCTURE DETAILS**

BRIDGE N° LAK-90 0328  
S.R. 91 OVER I-90  
LAKE COUNTY WILLOUGHBY HILLS

STA 26+74.51 TO STA 33+04.07

DESIGNED	DRAWN	TRACED	CHECKED	REVIEWED	DATE	REVISED
gfk	JWW		gfk	gfk	10-17-90	