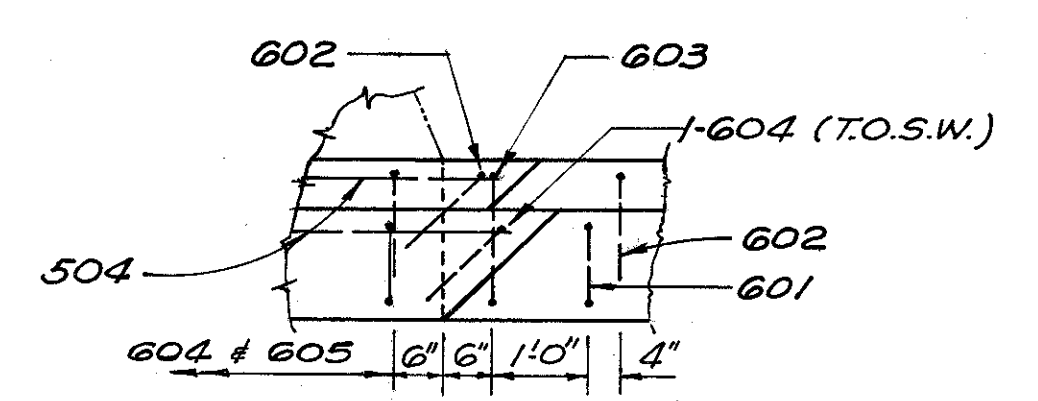
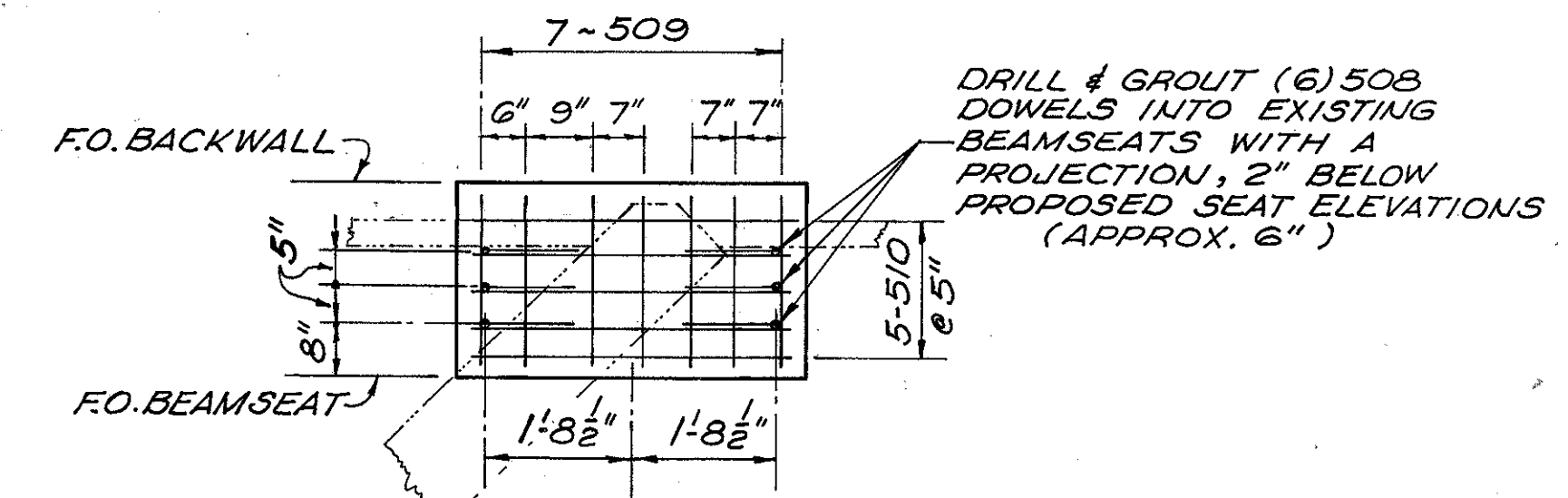


**PLAN**



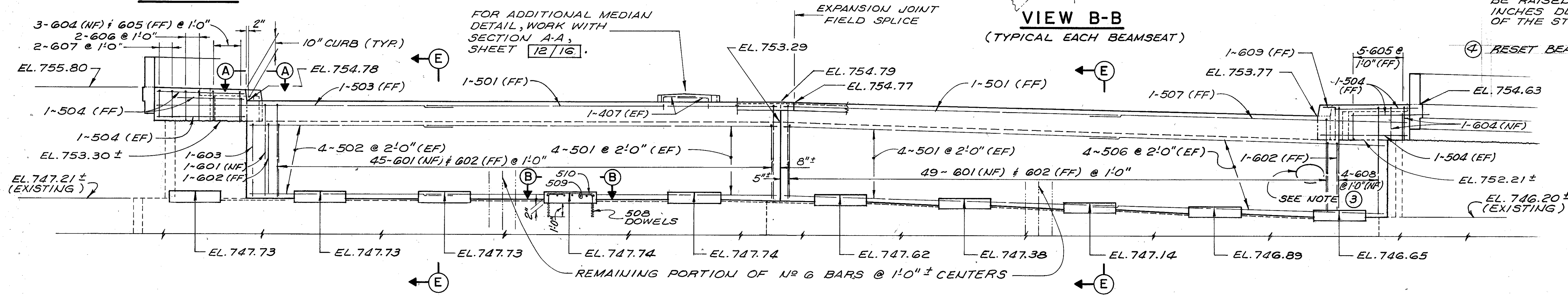
**VIEW A-A**



**VIEW B-B**  
(TYPICAL EACH BEAMSEAT)

**NOTE**

- FOR VIEWS C-C & D-D, SECTIONS E-E, F-F, G-G & H-H AND DWEL DETAIL SEE SHEET 8/16.
- FOR ADDITIONAL NOTES, CROSS REFERENCES AND DETAILS SEE SHEET 7/16.
- EXISTING 12" φ GAS LINE SHALL BE RAISED APPROXIMATELY 6 INCHES DURING THE JACKING OF THE STRUCTURAL STEEL.
- RESET BEARINGS ON NEW SEATS.



**ELEVATION**

<b>URS</b>			
6/16			
<b>ABUTMENT A-1 DETAIL</b>			
BRIDGE N° LAK-90-0328			
S.R. 91 OVER I-90			
LAKE COUNTY		WILLOUGHBY HILLS	
STA 26+74.51 TO STA 33+04.07			
DESIGNED	DRAWN	CHECKED	REVIEWED
J.H.	A.L.H.	J.H.	J.H.
		10-17-90	