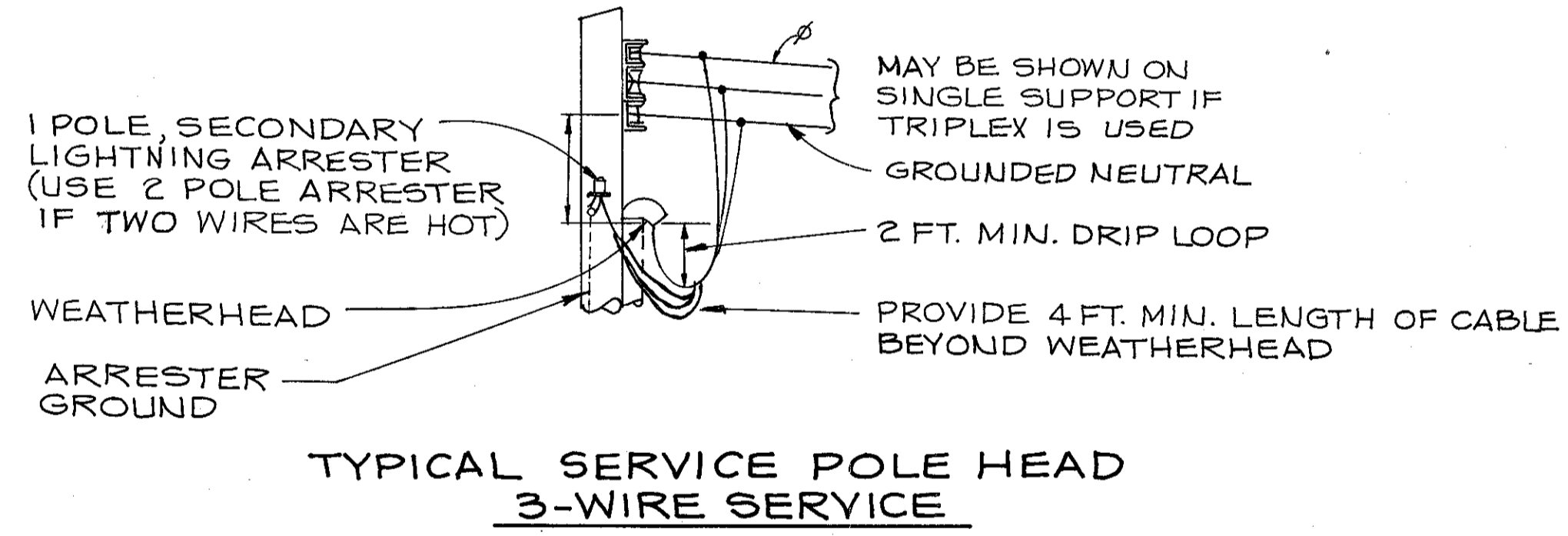


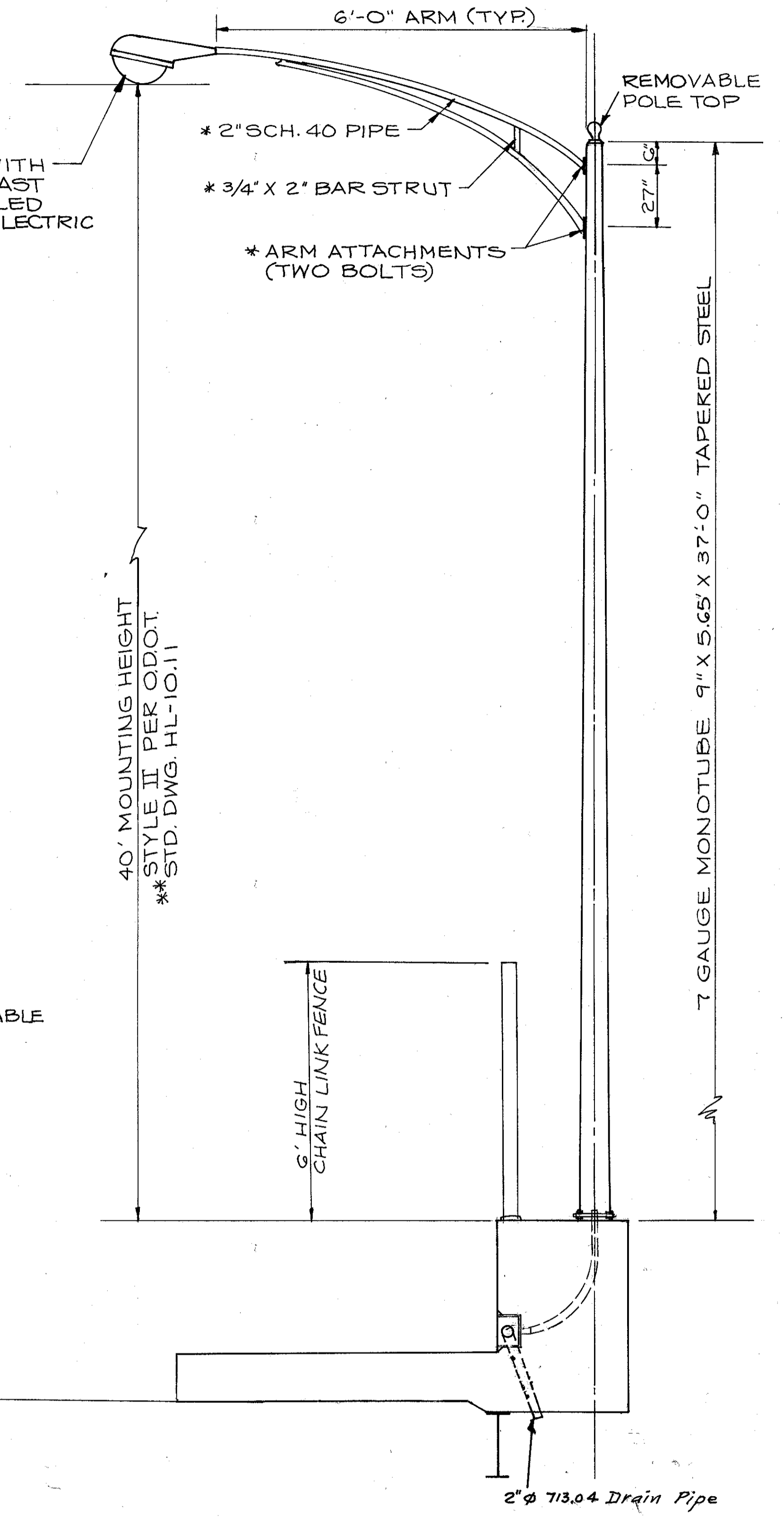
TYPICAL ROADWAY MOUNTED LIGHT POLE
NOT TO SCALE

POWER SERVICE DATA						
STATION	POWER SERVICE LOCATION	CONNECTED LOAD KVA	CIRCUIT NUMBER	CIRCUIT LOAD AMPS	MAINTAINING AGENCY	SERVICE ENTRANCE CONDUCTOR
23+22/S.R.91	NO. 1	1.62	A	13.5	CITY OF WILLOUGHBY HILLS	NO. 4 AWG
36+25/S.R.91	NO. 2	1.62	B	13.5		



TYPICAL SERVICE POLE HEAD
3-WIRE SERVICE

* SLIP-FIT LUMINAIRE WITH 120 V. PRIMARY BALLAST FURNISHED & INSTALLED BY THE CLEVELAND ELECTRIC ILLUMINATING CO.



TYPICAL BRIDGE MOUNTED LIGHT POLE
NOT TO SCALE

See Standard Drawings for further details.