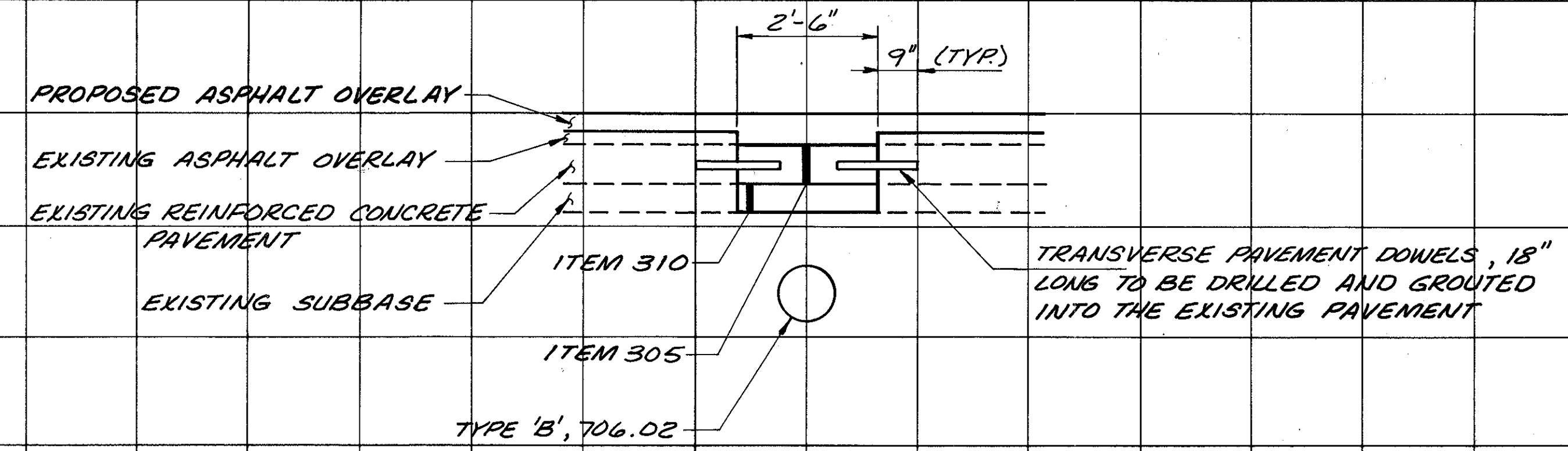
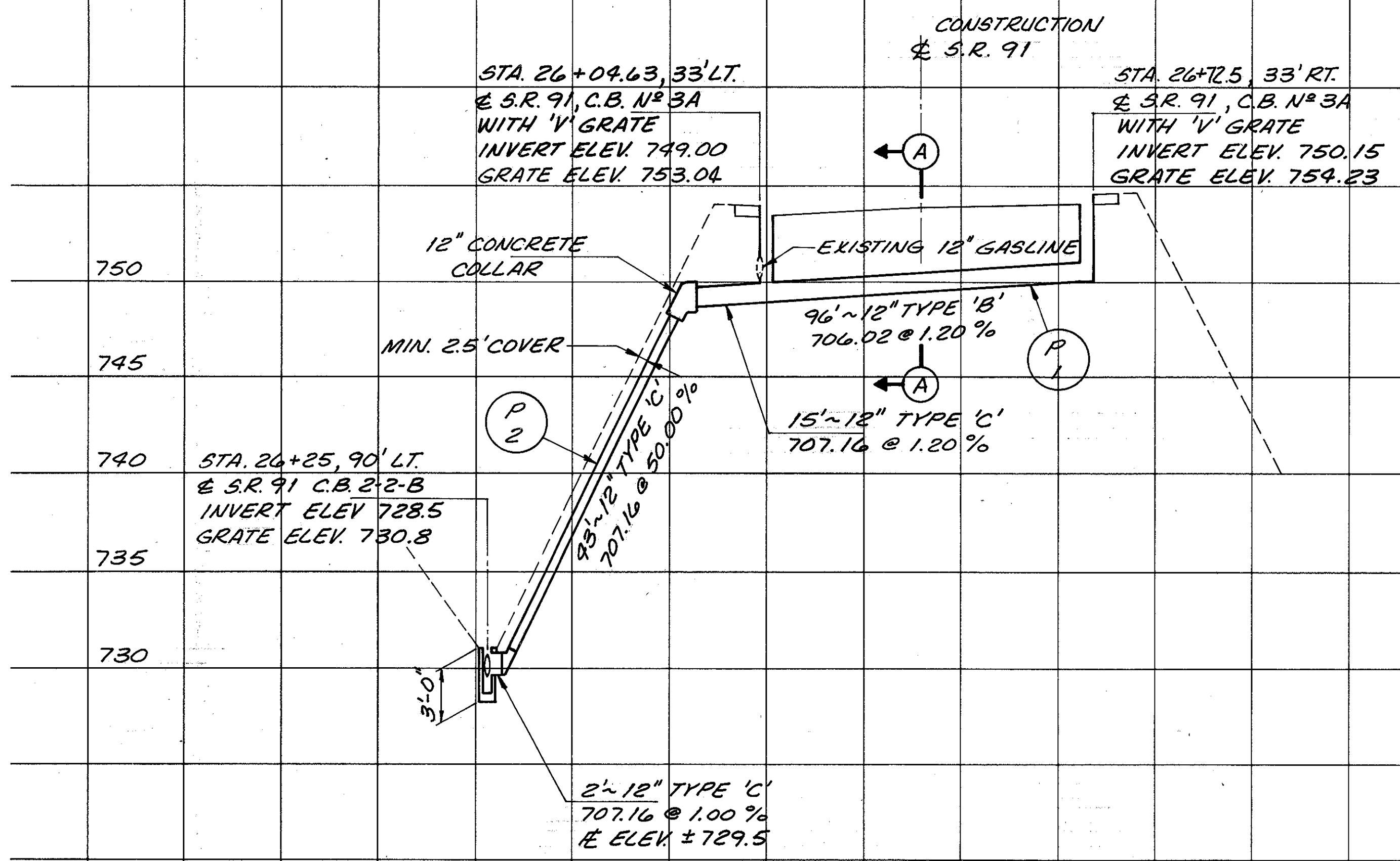
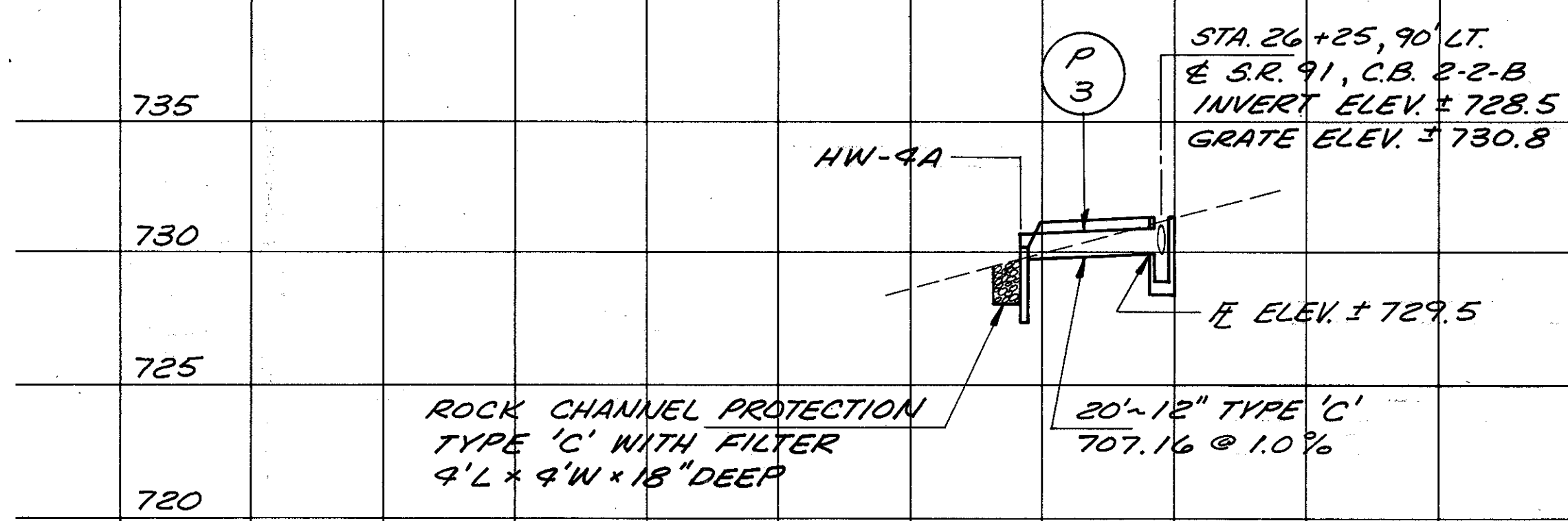


LAKE COUNTY



SECTION A-A

NOTE: THE LENGTH OF PIPE, LOCATION AND ELEVATIONS AT THE C.B. 2-2-B ARE SUBJECT TO ADJUSTMENT AS DIRECTED BY THE ENGINEER.

THE COST OF THE CONCRETE COLLAR SHALL BE INCLUDED IN THE UNIT COST FOR THE PERTINENT 603 ITEM.

