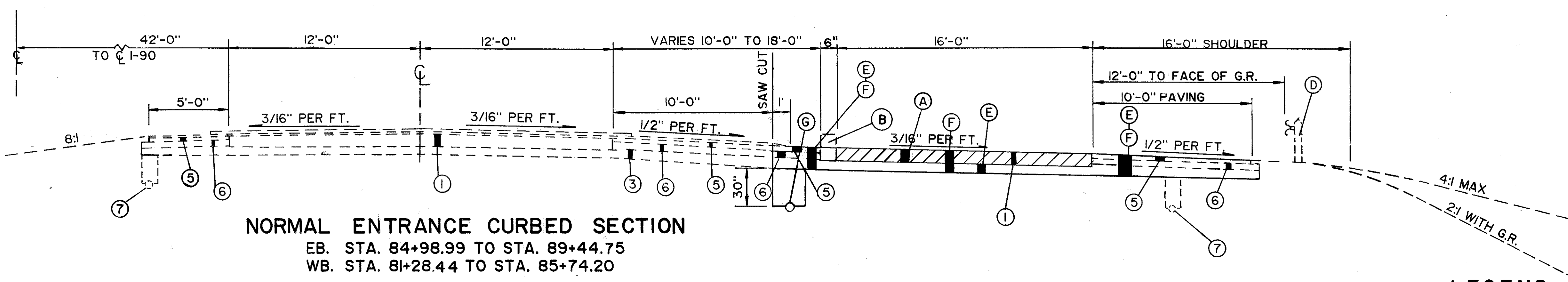
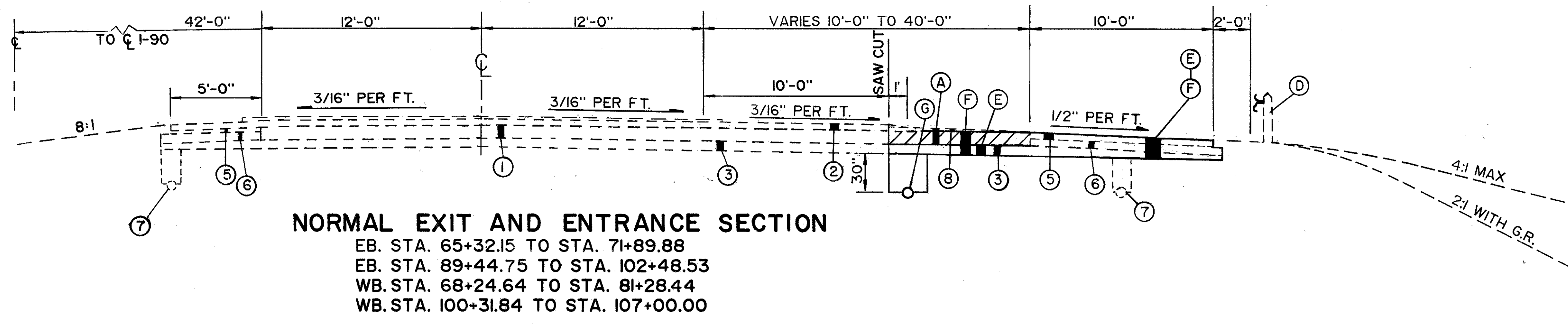
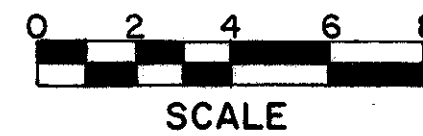
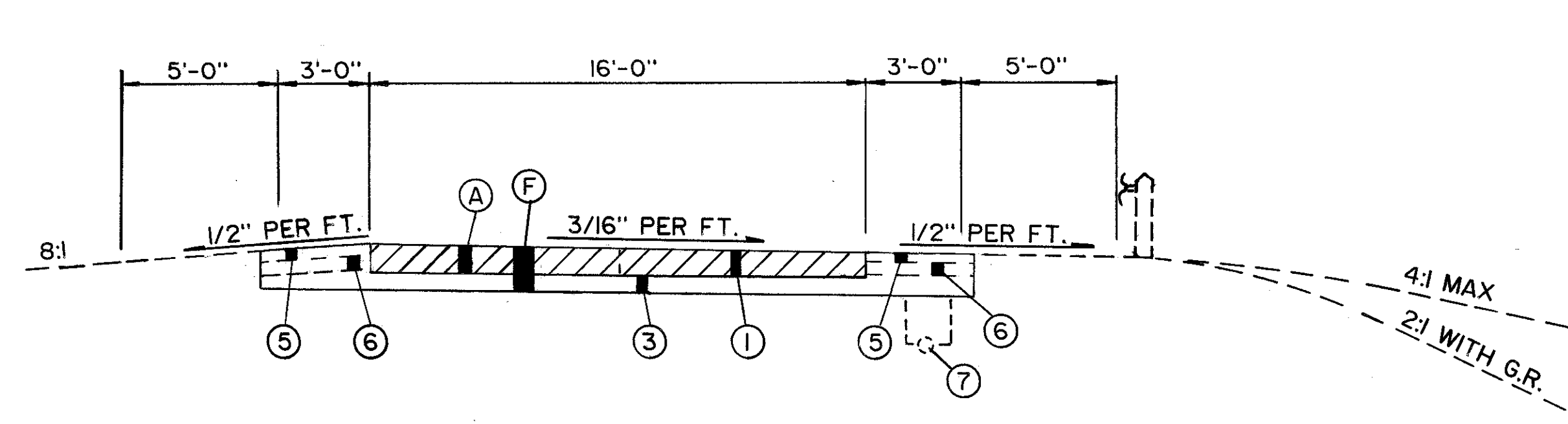


TYPICAL SECTIONS

REST AREA REMOVAL



LEGEND



- EXISTING**
- ① 10" REINFORCED PORTLAND CEMENT CONCRETE PAVEMENT
 - ② 5" ASPHALT CONCRETE (AC-20)
 - ③ 6" SUBBASE
 - ④ SUBBASE (VARIABLE DEPTH)
 - ⑤ 3" BITUMINOUS MACADAM BASE COURSE
 - ⑥ 5" STABILIZED CRUSHED AGGREGATE SHOULDER MATERIAL
 - ⑦ 6" UNDERDRAIN
 - ⑧ 1" - 2" ASPHALT CONCRETE WEARING COURSE

- PROPOSED**
- (A) 202 PAVEMENT REMOVED (REMOVAL)
 - (B) 202 CURB REMOVED
 - (C) 202 WALK REMOVED
 - (D) 202 GUARDRAIL REMOVED
 - (E) 203 EXCAVATION NOT INCLUDING EMBANKMENT CONSTRUCTION
 - (F) 203 EMBANKMENT
 - (G) 605 6" SHALLOW PIPE UNDERDRAINS

NOTE: THE COST OF SAW CUT SHALL BE INCLUDED UNDER ITEM 202-PAVEMENT REMOVED.

