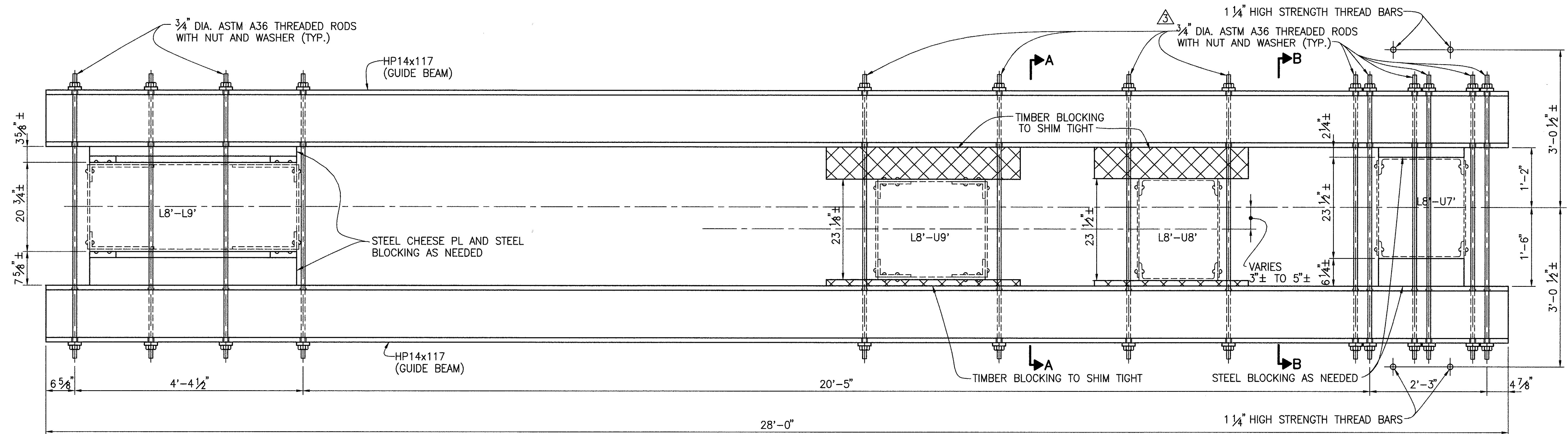
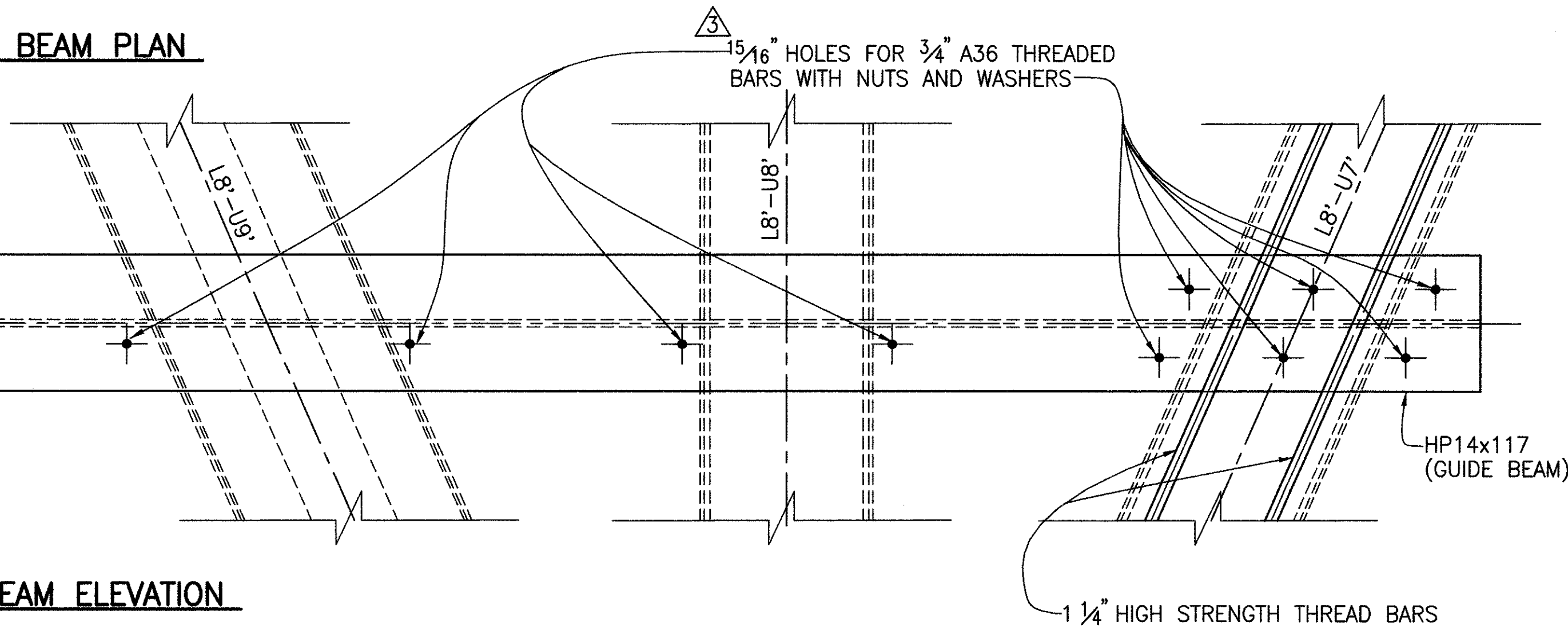


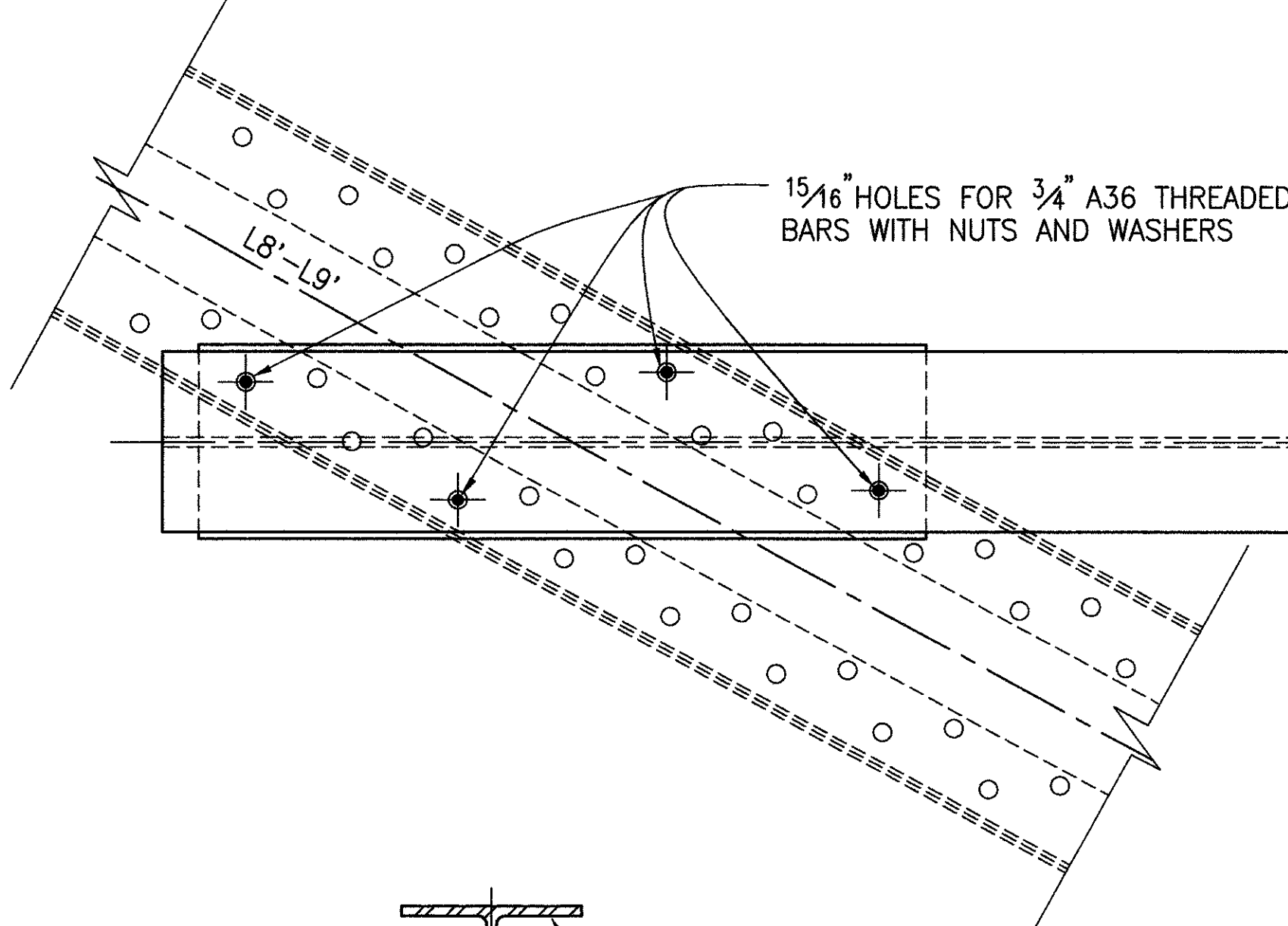
Job No. 9607368 Date 3/12/97 Drawn By RB,JPS



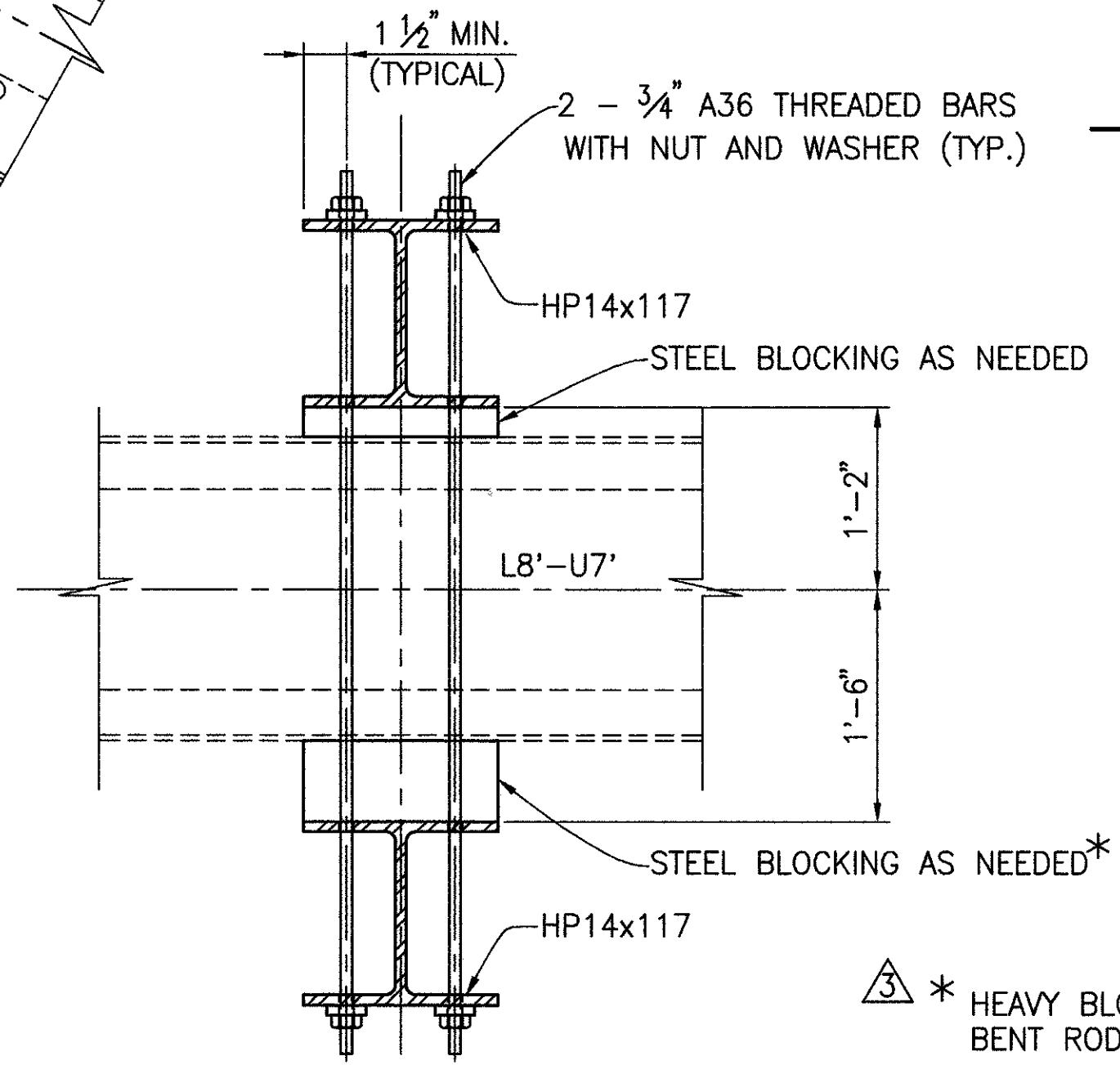
GUIDE BEAM PLAN



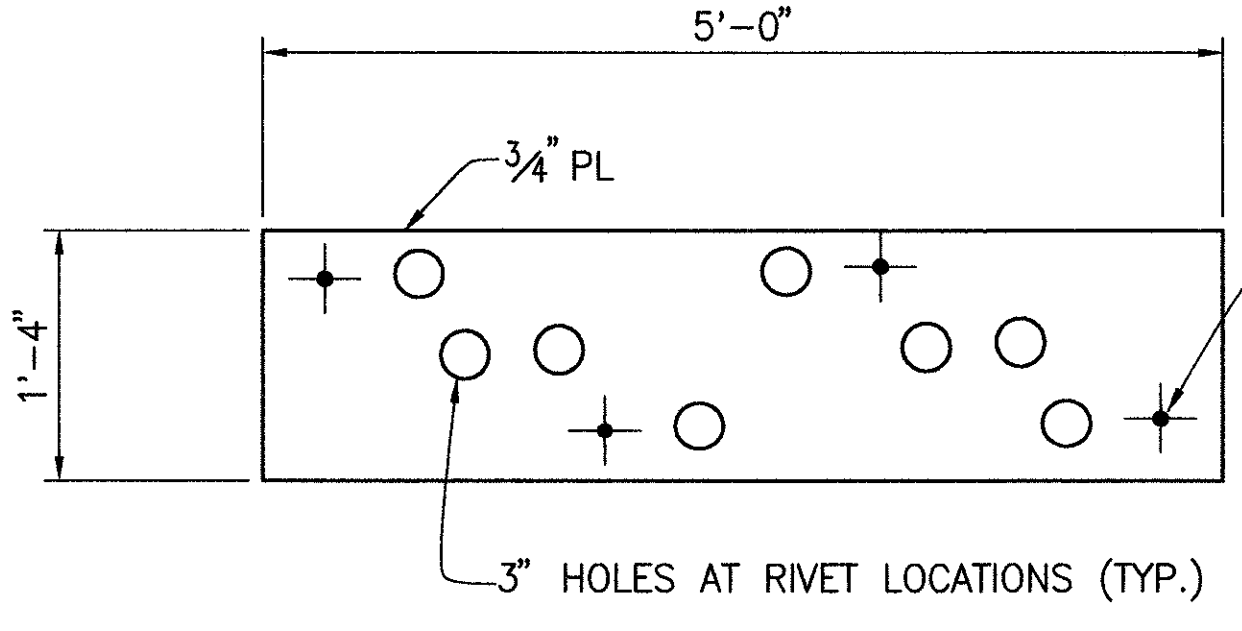
GUIDE BEAM ELEVATION



SECTION A-A



SECTION B-B



CHEESE PLATE DETAIL

NOTES
 LOCATIONS FOR INSTALLATION: SEE SHEETS 3 & 4
 MINIMUM EDGE DISTANCE: FOR 7/8" BOLTS IS 1 1/2"

*** HEAVY BLOCKING BENT RODS**

RICHLAND ENGINEERING LIMITED 29 NORTH PARK STREET MANSFIELD, OHIO 44902	
DATE	7/10/96
REVIEWED	DAP
STRUCTURE FILE NO.	4304985
DRAWN	RB
CHECKED	DLR
DESIGNED	MSL
REVISION	2/20/97

GUIDE BEAM DETAILS
 BRIDGE NO. LAK-90-2342 R
 OVER THE GRAND RIVER

LAK-90-23.42 L&R

12
19

RELEASED FOR FABRICATION 7/10/96