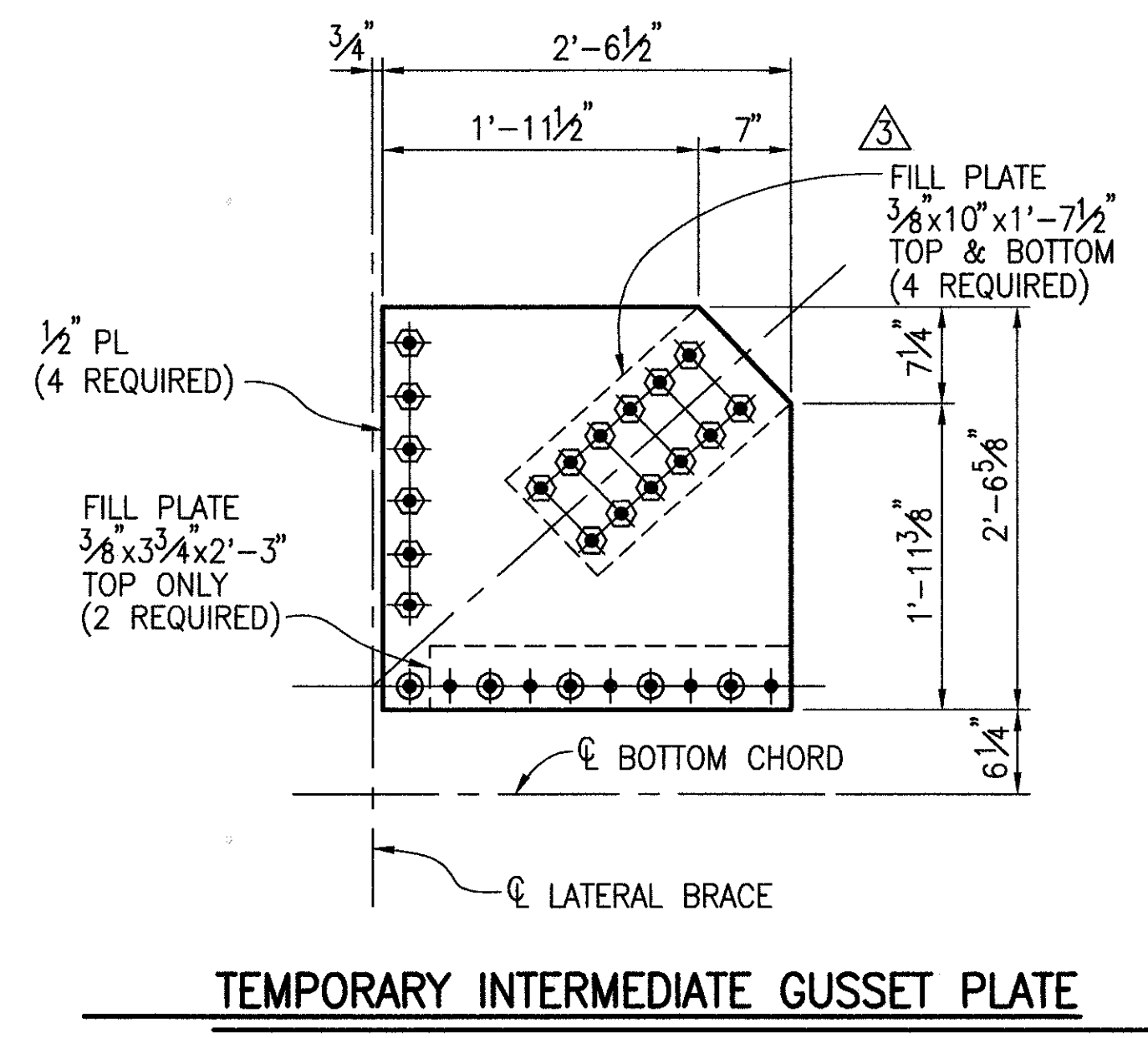
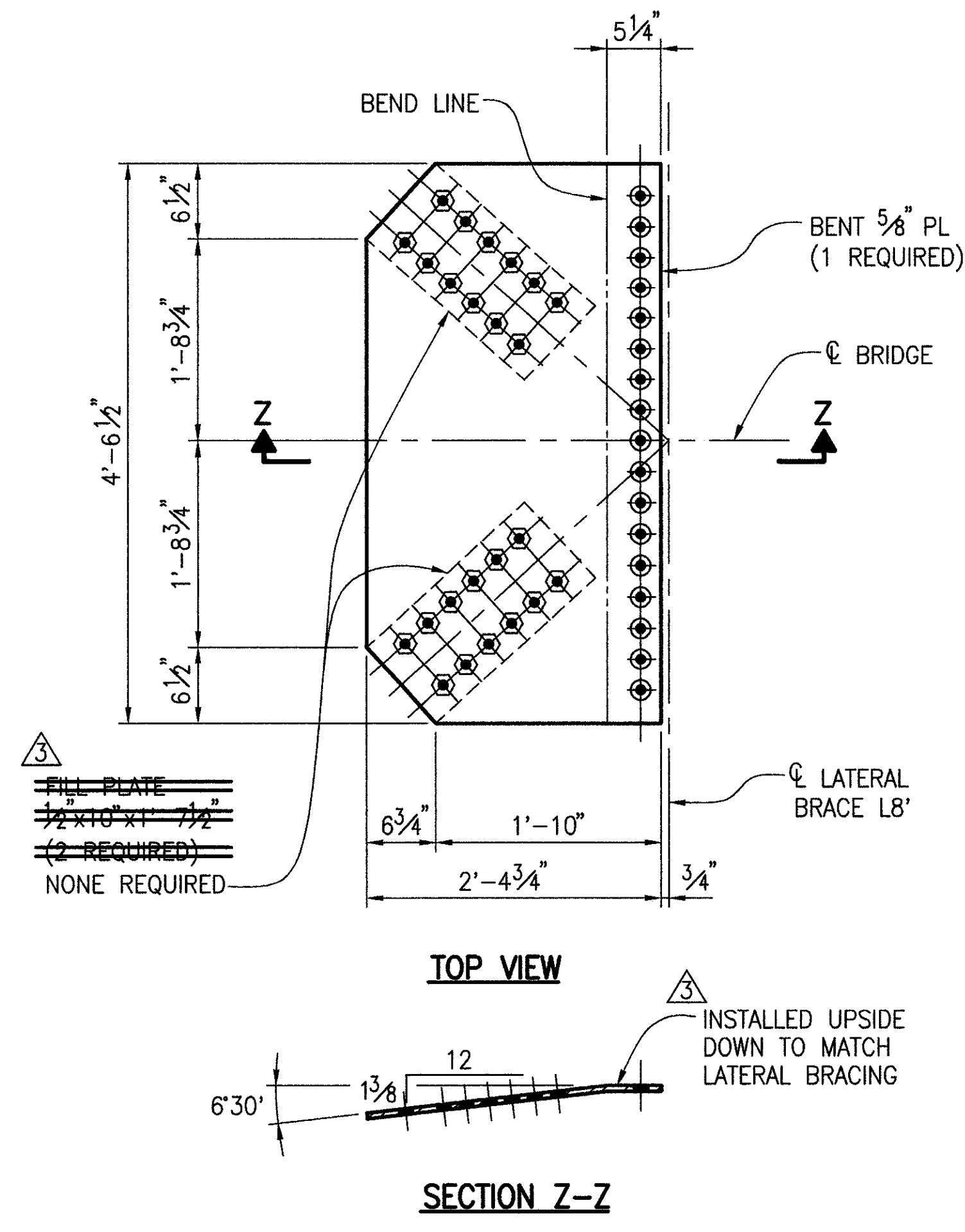
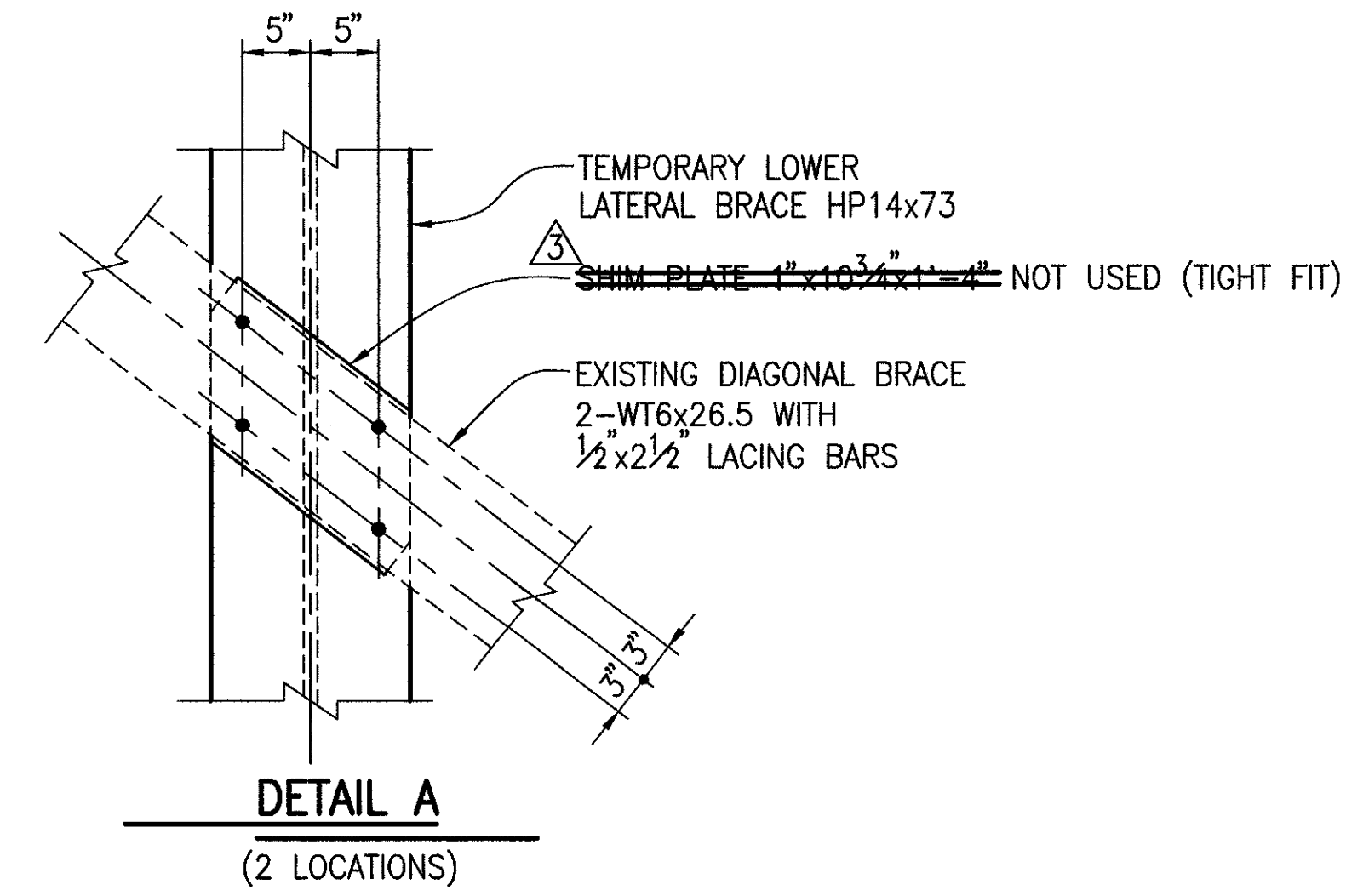
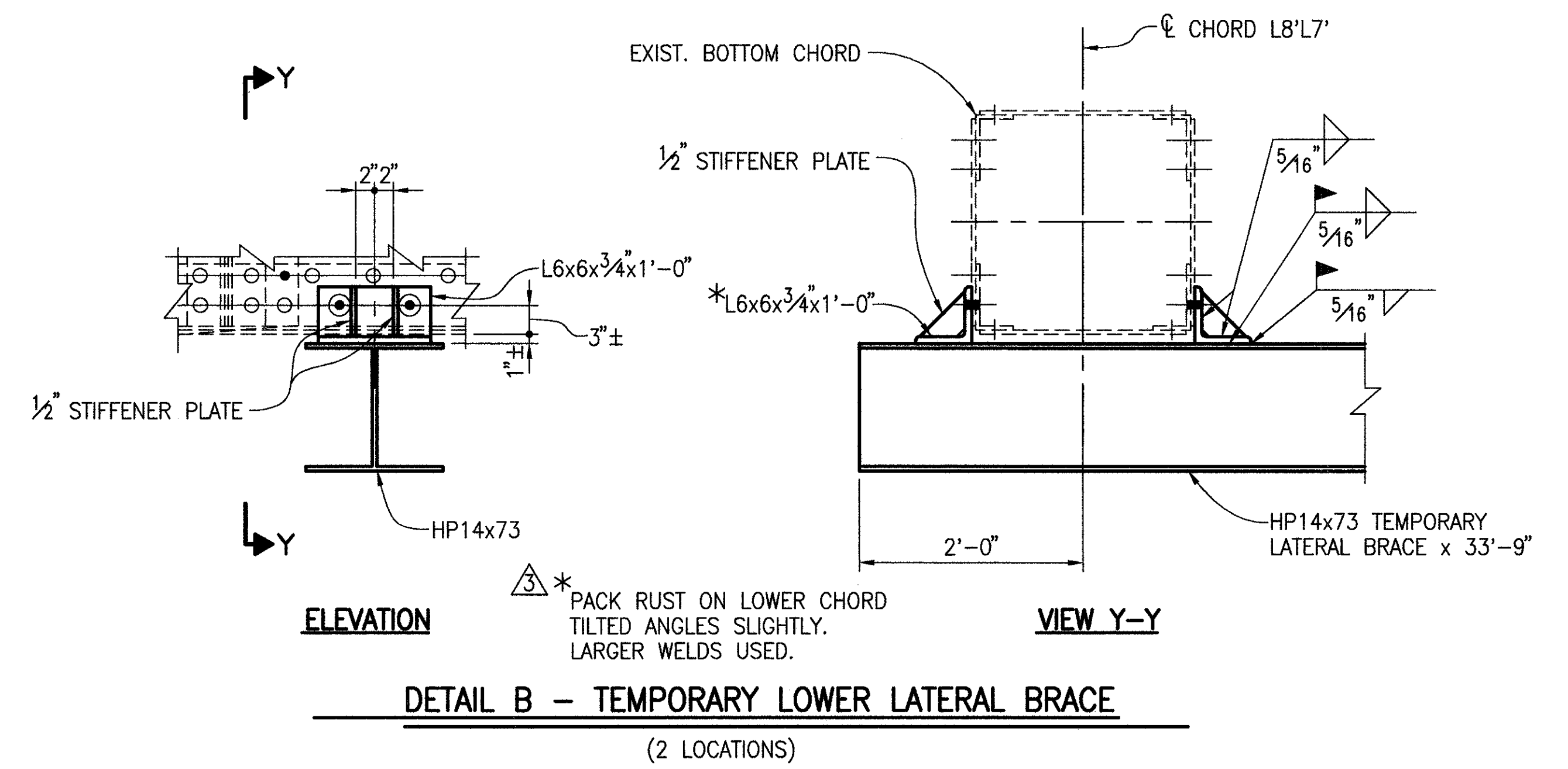
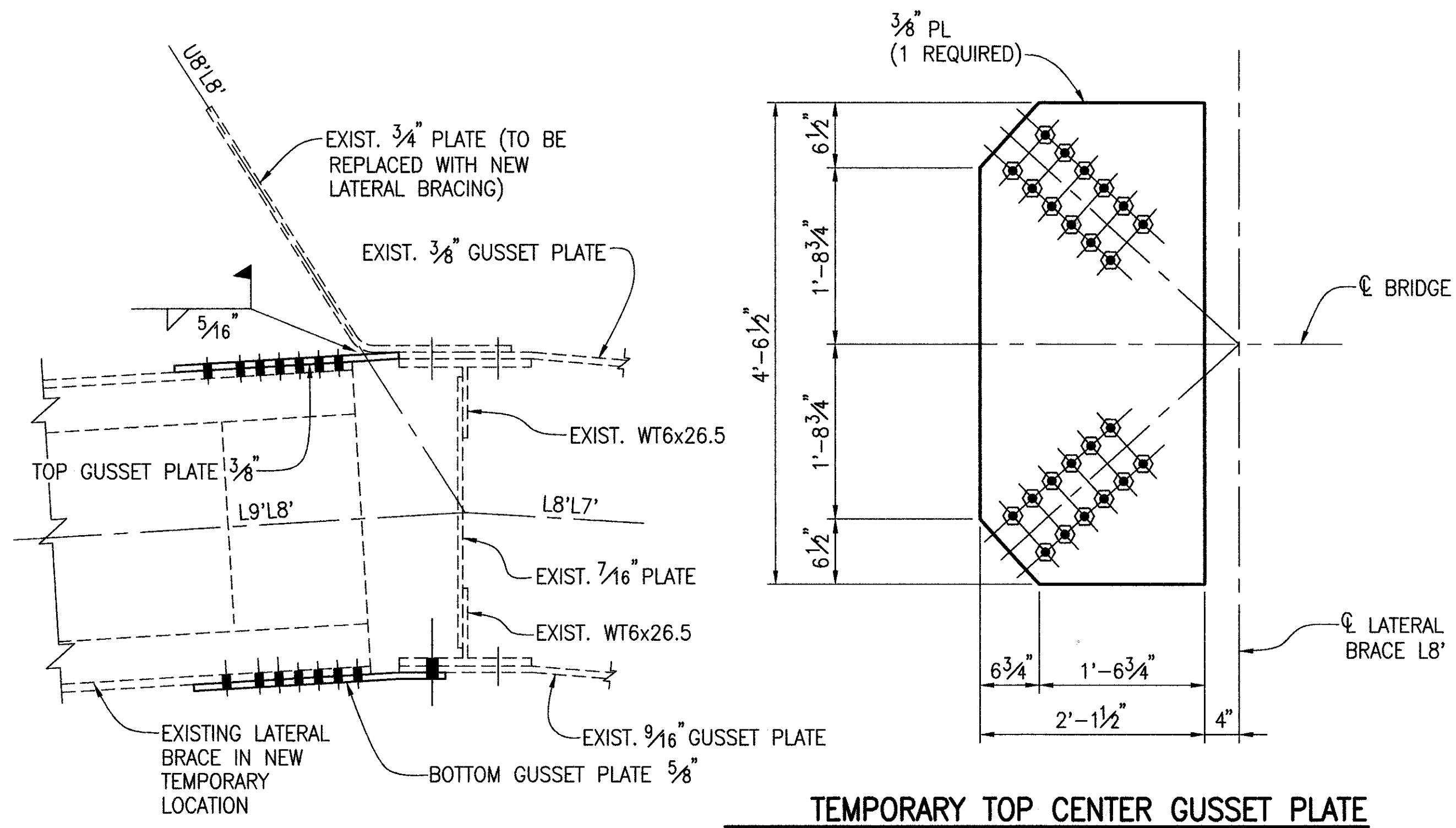


Job No. 96073TBD Date 3/12/97 Drawn By JLS/JPS



NOTES

- MATERIALS SHOWN ARE NEW UNLESS OTHERWISE NOTED.
- GUSSET PLATE MATERIAL IS TO BE FURNISHED PLAIN WITHOUT SHOP HOLES TO BE DRILLED IN FIELD TO MATCH EXISTING RIVET AND BOLT LOCATIONS.
- LOCATION OF SECTION X-X AND DETAILS A & B SEE SHEET 6.

BOLT LEGEND

- NEW BOLT IN NEW HOLE
- NEW BOLT IN EXISTING BOLT HOLE
- NEW BOLT IN EXISTING RIVET HOLE

RICHLAND ENGINEERING LIMITED
 29 NORTH PARK STREET
 MANSFIELD, OHIO 44902
 DATE 7/10/96
 REVIEWED DAP
 STRUCTURE FILE NO. 4304985
 DRAWN JLS
 CHECKED DJM
 DESIGNED BLN
 REVISIONS 2/20/97
TEMPORARY LATERAL BRACING DETAILS
 BRIDGE NO. LAK-90-2342 R
 OVER THE GRAND RIVER
 LAK-90-23.42 L&R
 11
 19