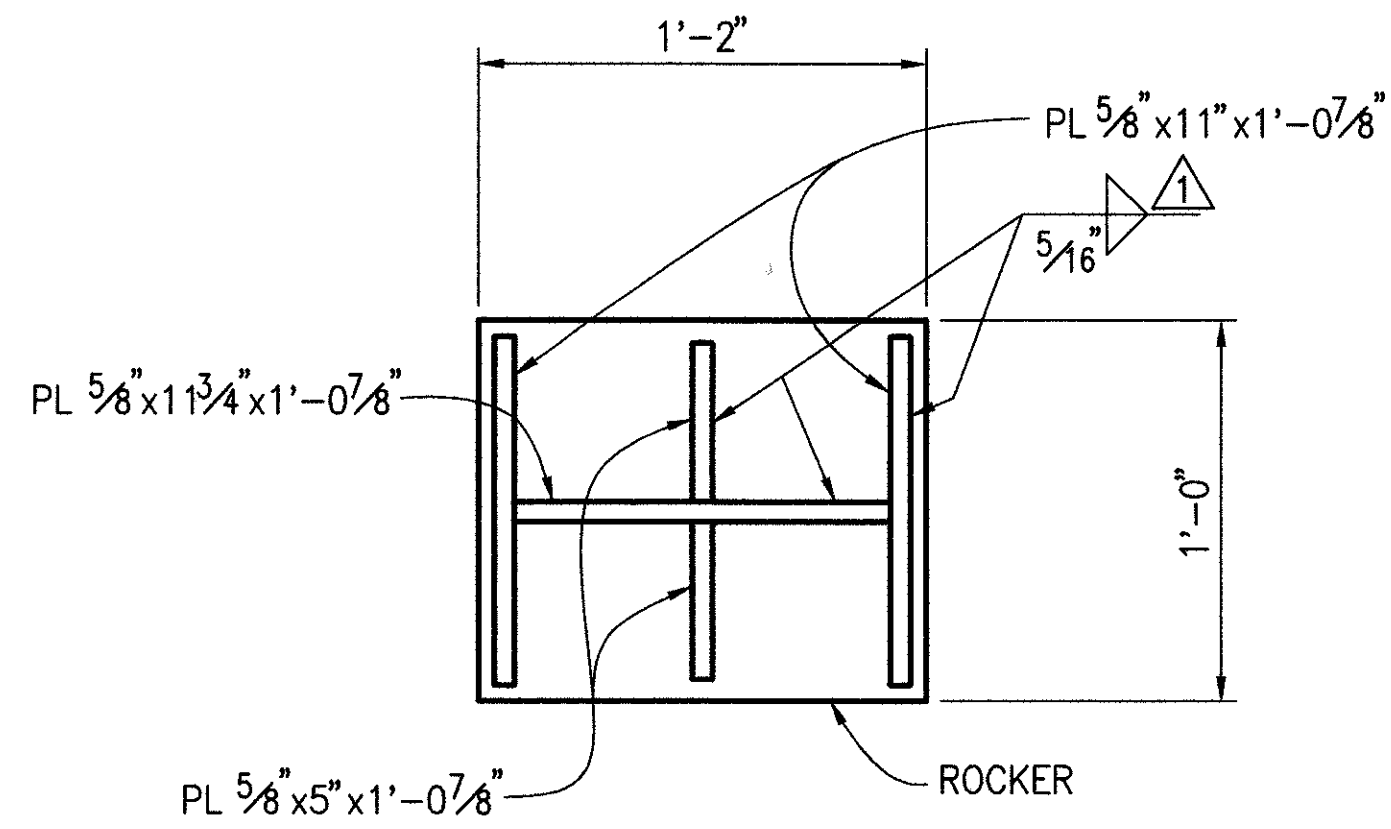
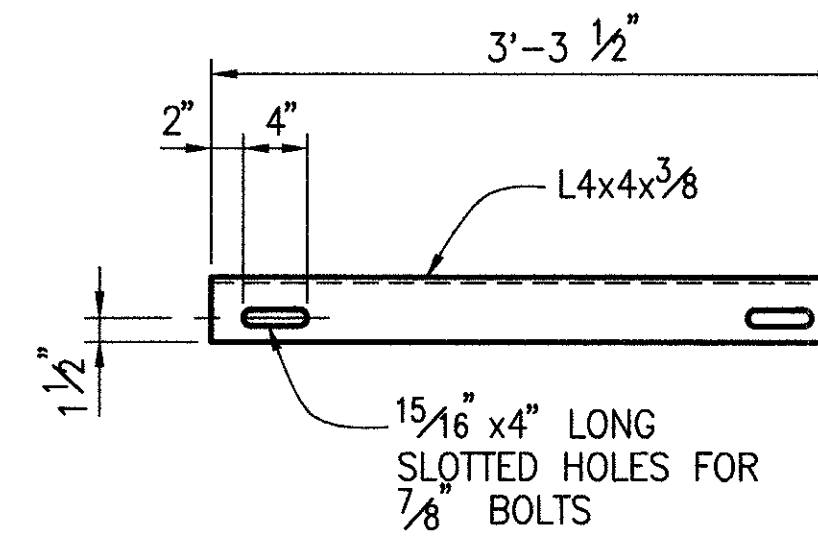


JACK ASSEMBLY

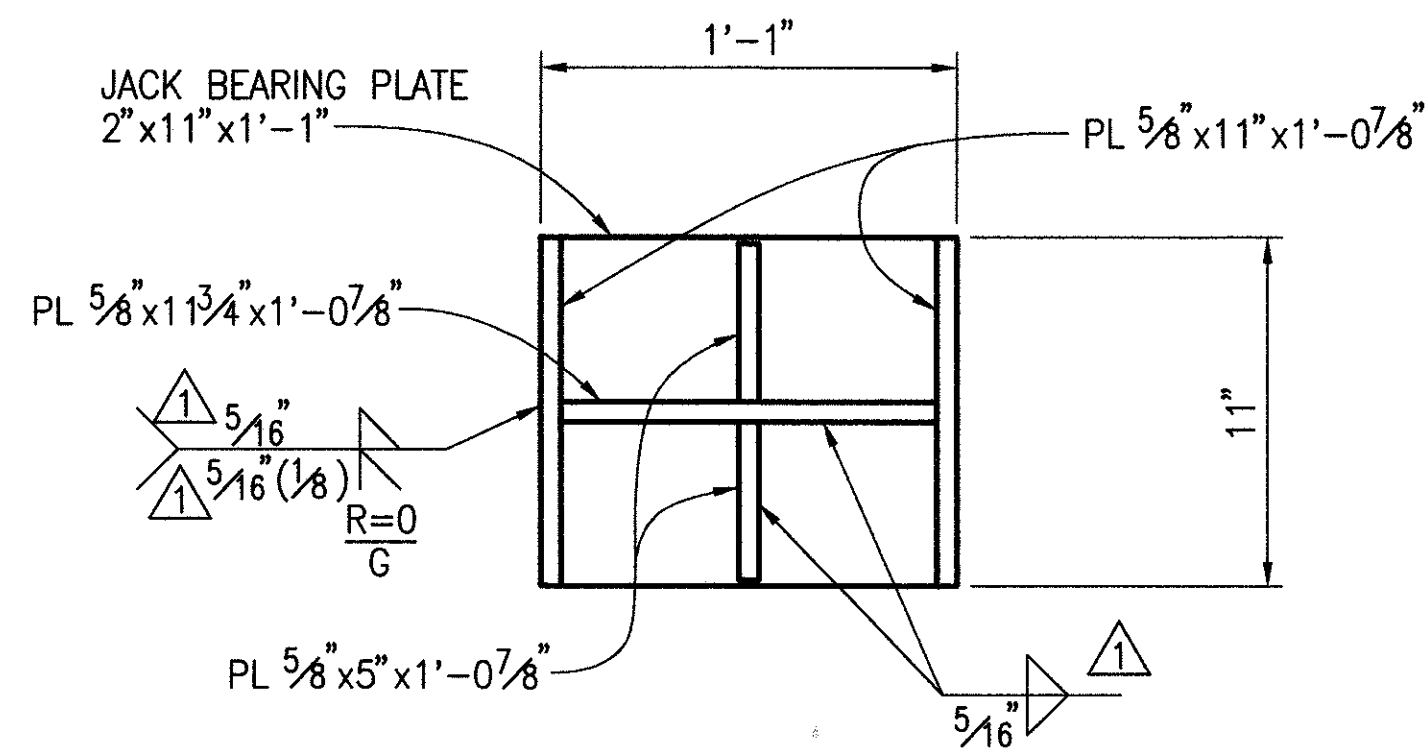
* CONTACT SURFACES WITH JACK SHALL HAVE AN ANSI 500 SURFACE FINISH (4 REQUIRED)



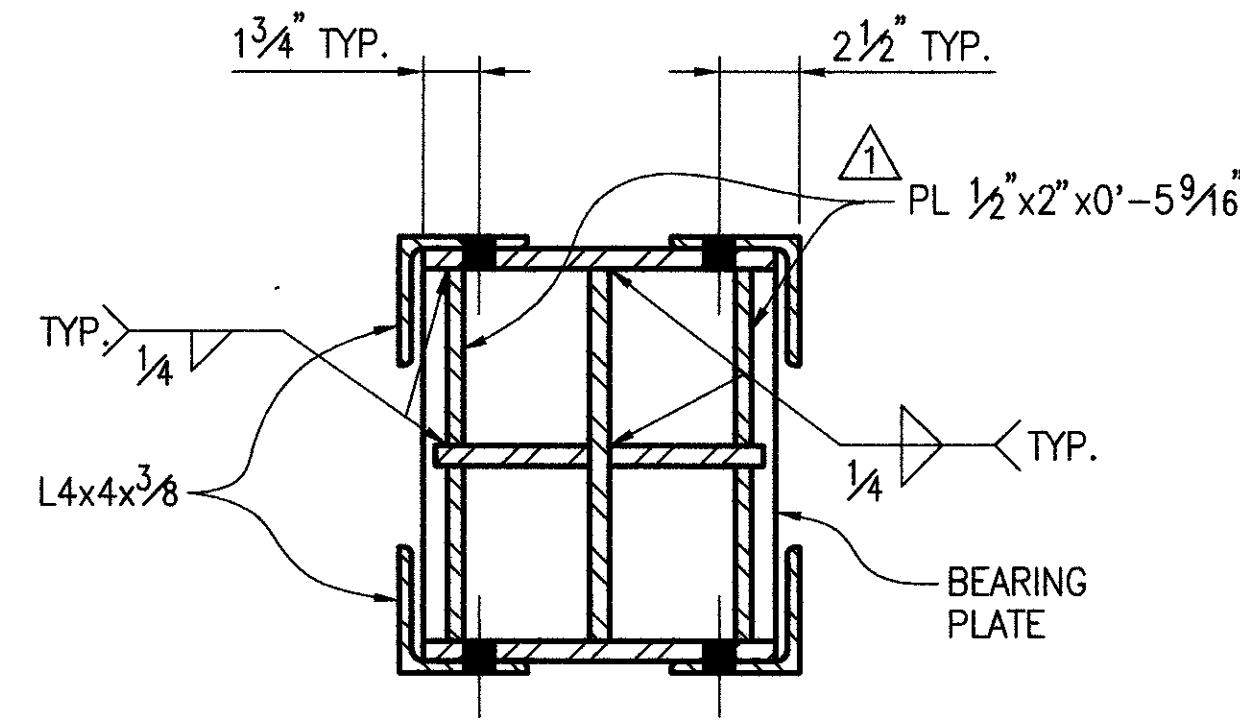
FRAME TO ROCKER DETAIL



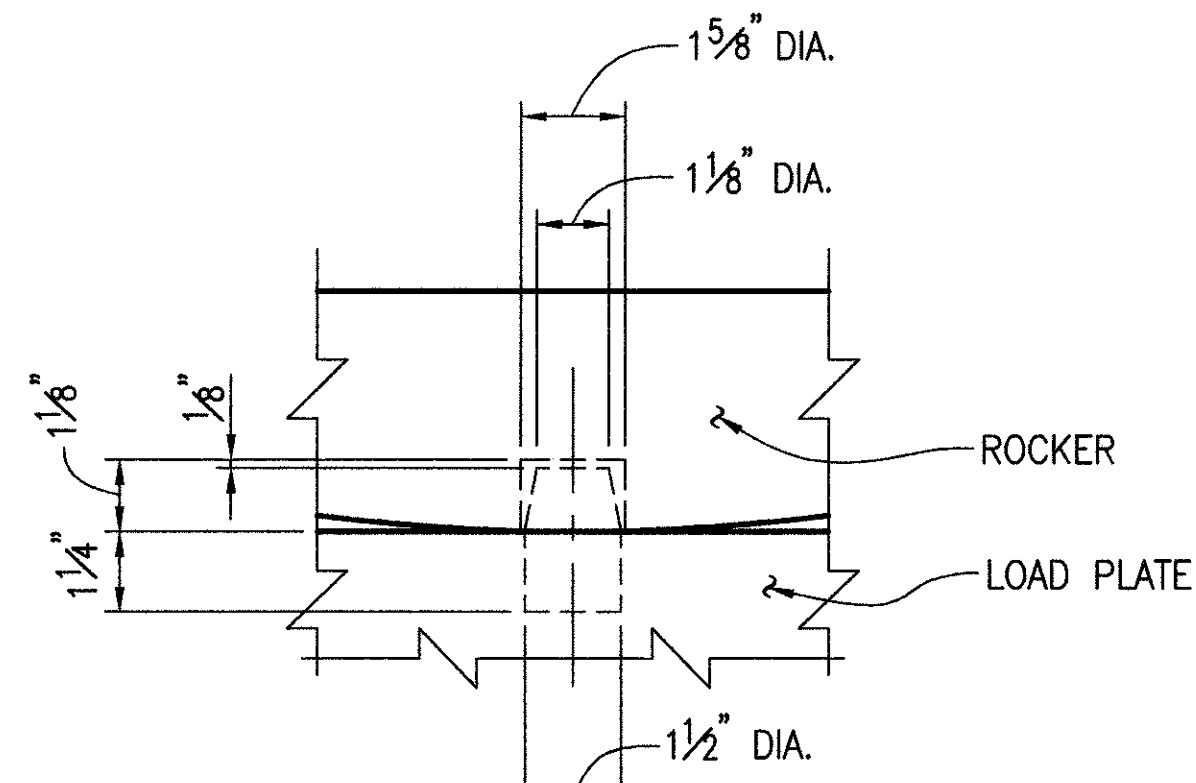
ANGLE DETAIL



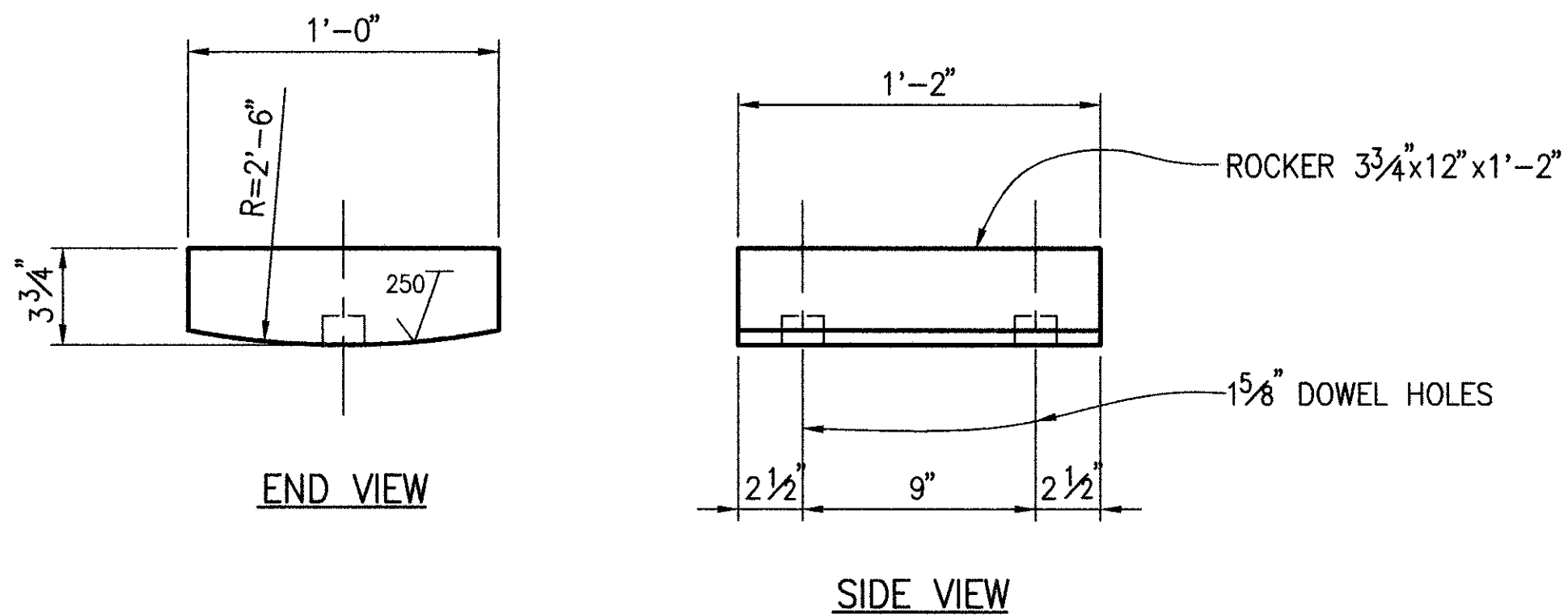
FRAME TO BEARING PLATE DETAIL



SECTION A-A



DOWEL DETAIL



ROCKER DETAIL

NOTES

LOCATIONS FOR INSTALLATION: SEE SHEETS 3 & 4.

Job No. 960733A Date: 3/12/97 Drawn By: JLS/JPS

DESIGNED	KAK
CHECKED	DLR
DRAWN	JLS
REVISOR	DLR
DATE	7/10/96

REVIEWED	DAP
DATE	6/25/96
STRUCTURE FILE NO.	4304985

RICHLAND ENGINEERING LIMITED
 29 NORTH PARK STREET
 MANSFIELD, OHIO 44902

JACKING DETAILS - 2
 BRIDGE NO. LAK-90-2342 R
 OVER THE GRAND RIVER

LAK-90-23.42 L&R

10
19

RELEASED FOR FABRICATION 6/25/96