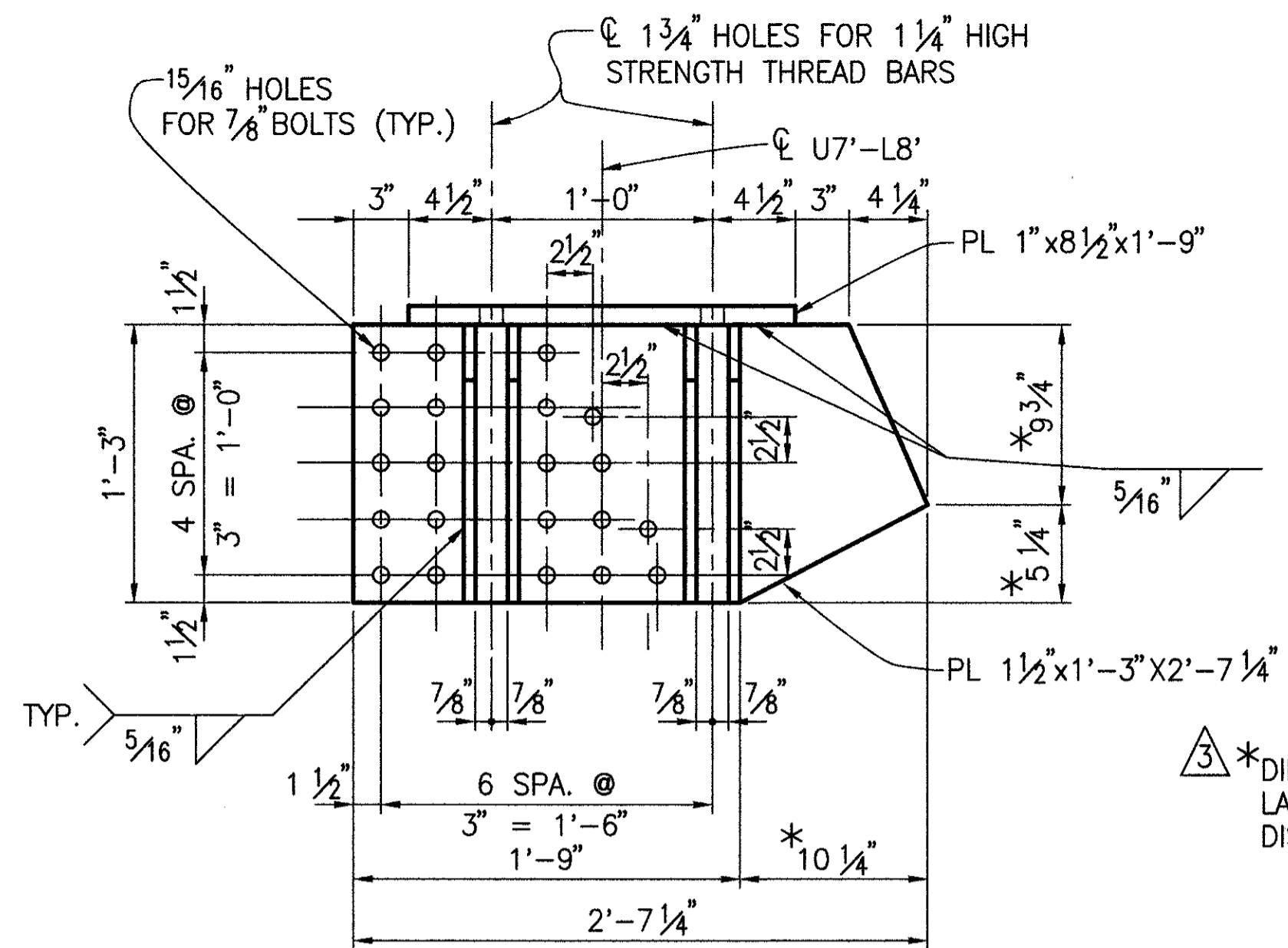
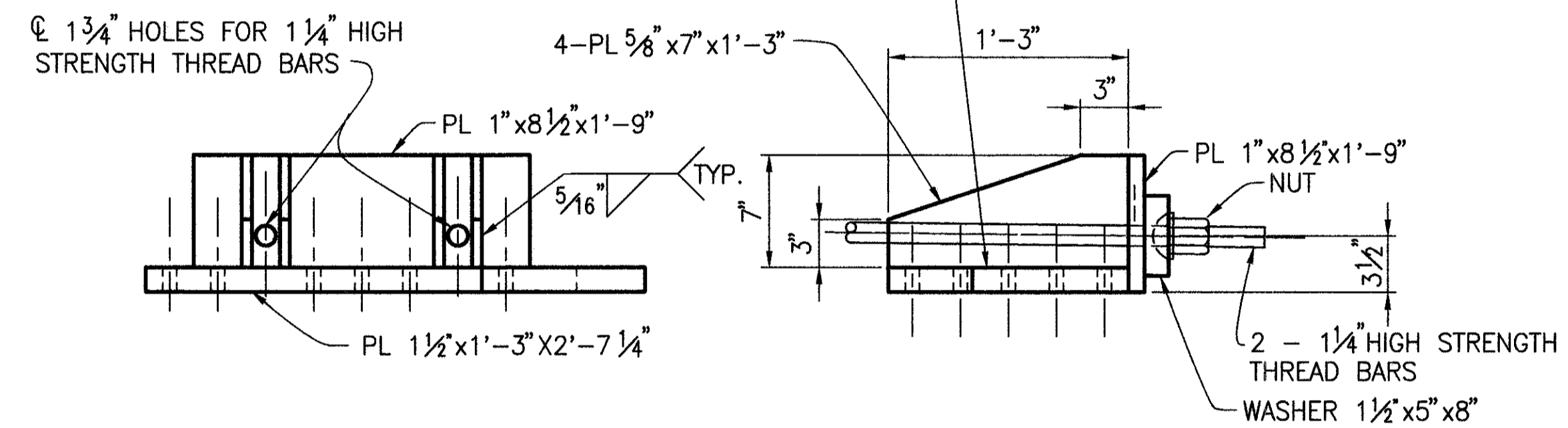


SECTION A-A

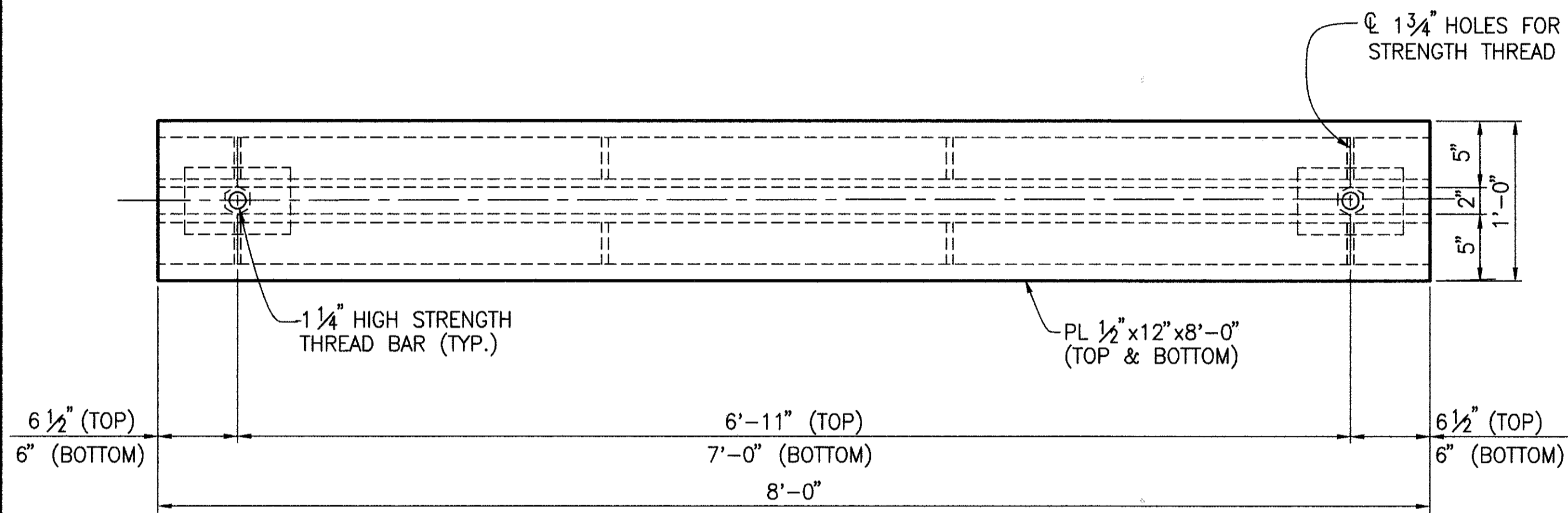


\*DIMENSION SHOULD HAVE BEEN LARGER TO PROVIDE MORE EDGE DISTANCE.

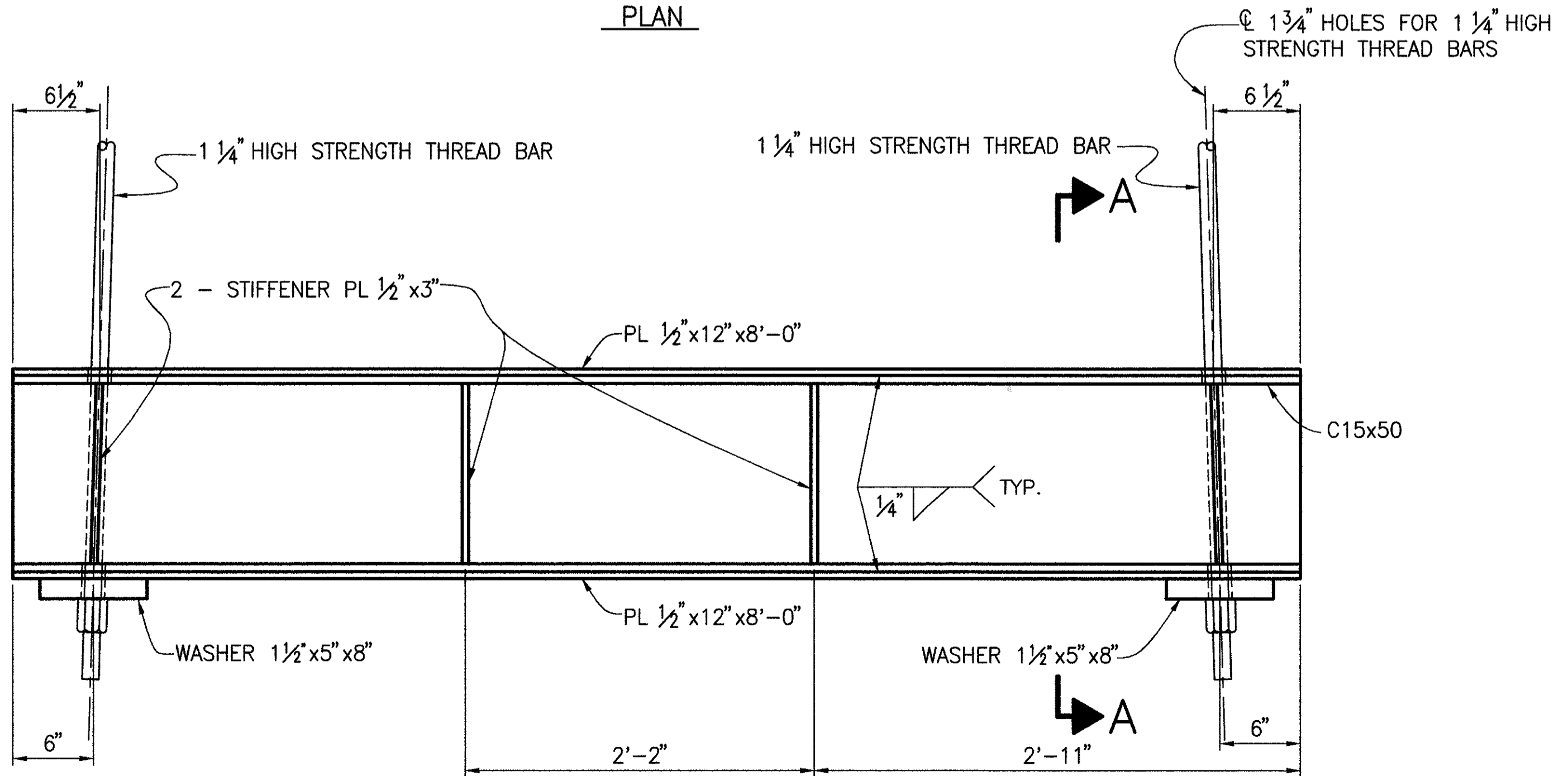


SUSPENSER BRACKET U7'

(TWO REQUIRED AS SHOWN, TWO REQUIRED OPPOSITE HAND)



PLAN



ELEVATION  
SUSPENSER SEAT L8'  
(FOUR REQUIRED)

NOTES  
LOCATIONS FOR INSTALLATION: SEE SHEETS 3 TO 7.

Job No. 9607303 Date 3/12/97 Drawn By RB

REVISION	DATE	DESIGNED	DRAWN	REVIEWED	DATE
3	2/20/97	DLR	RRB	DAP	6/25/96
		CHECKED	REVISION	STRUCTURE FILE NO.	4304985
		RWR			

RICHLAND ENGINEERING LIMITED  
29 NORTH PARK STREET  
MANSFIELD, OHIO 44902

STRENGTHENING DETAILS - 2  
BRIDGE NO. LAK-90-2342 R  
OVER THE GRAND RIVER

LAK-90-23.42 L&R

8  
19

RELEASED FOR FABRICATION 6/25/96