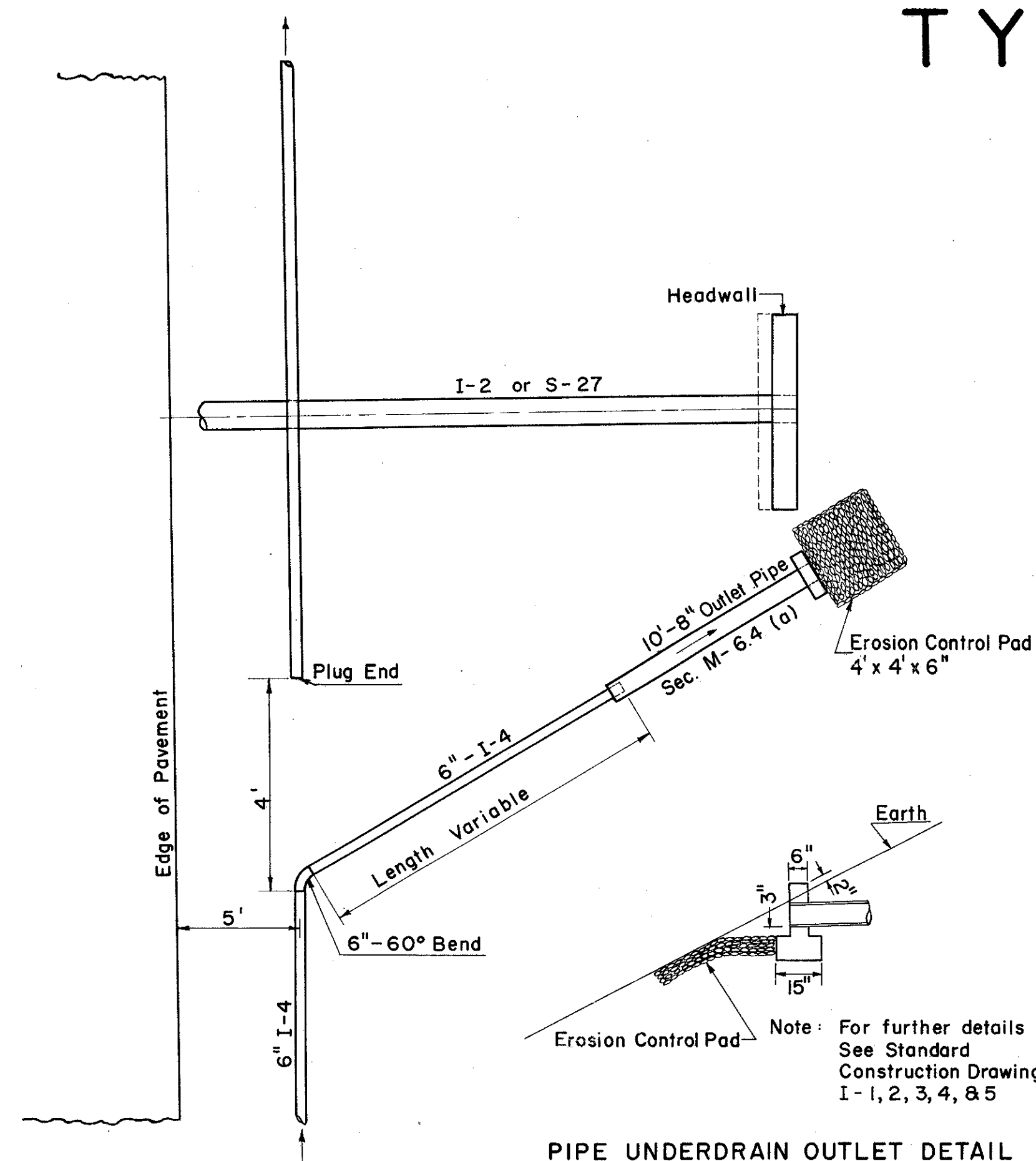


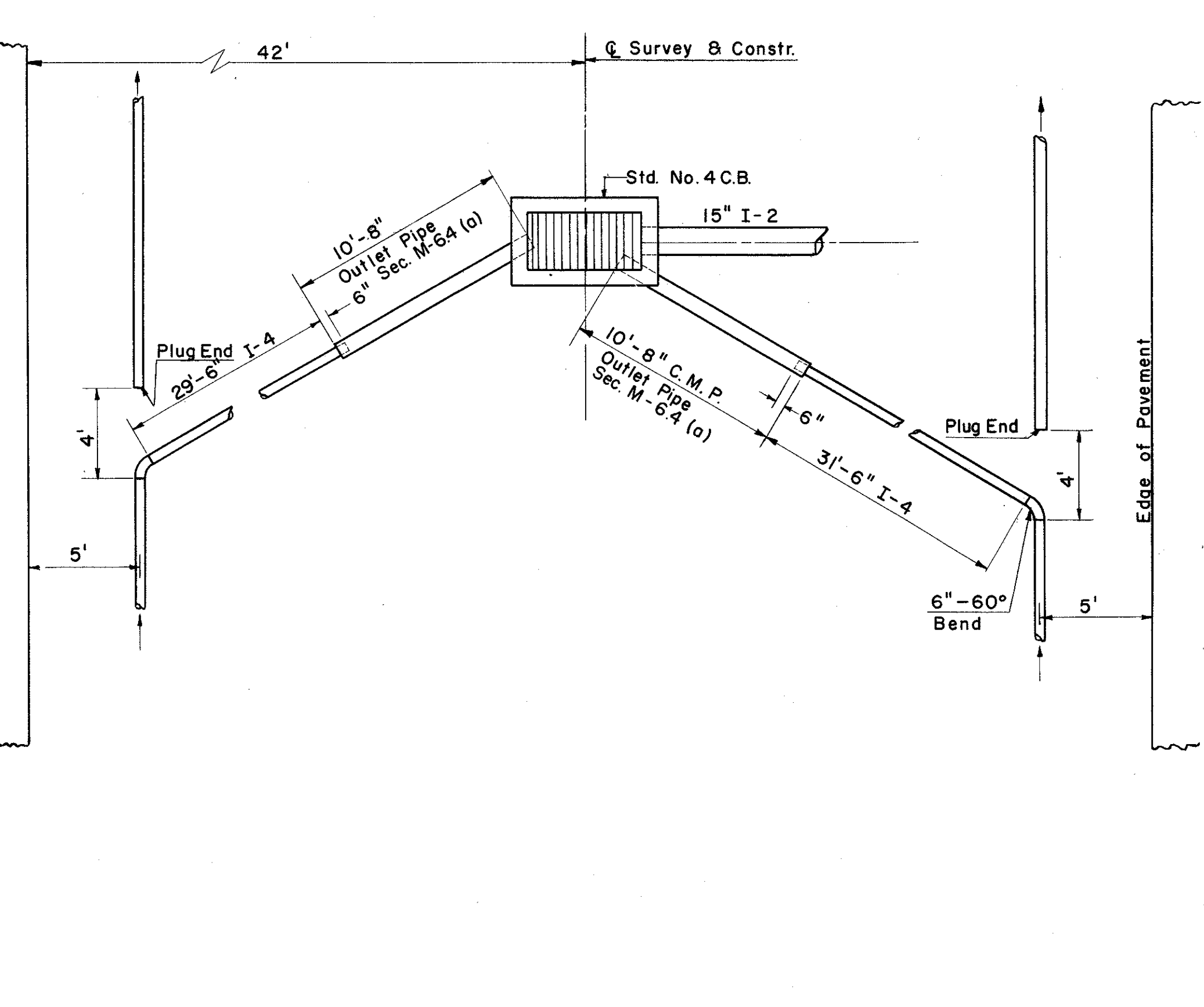
# TYPICAL DETAILS I-4 & I-2

FED. RD. DIVISION	STATE	PROJECT	251 280
2	OHIO	ACI-1103 (29)	

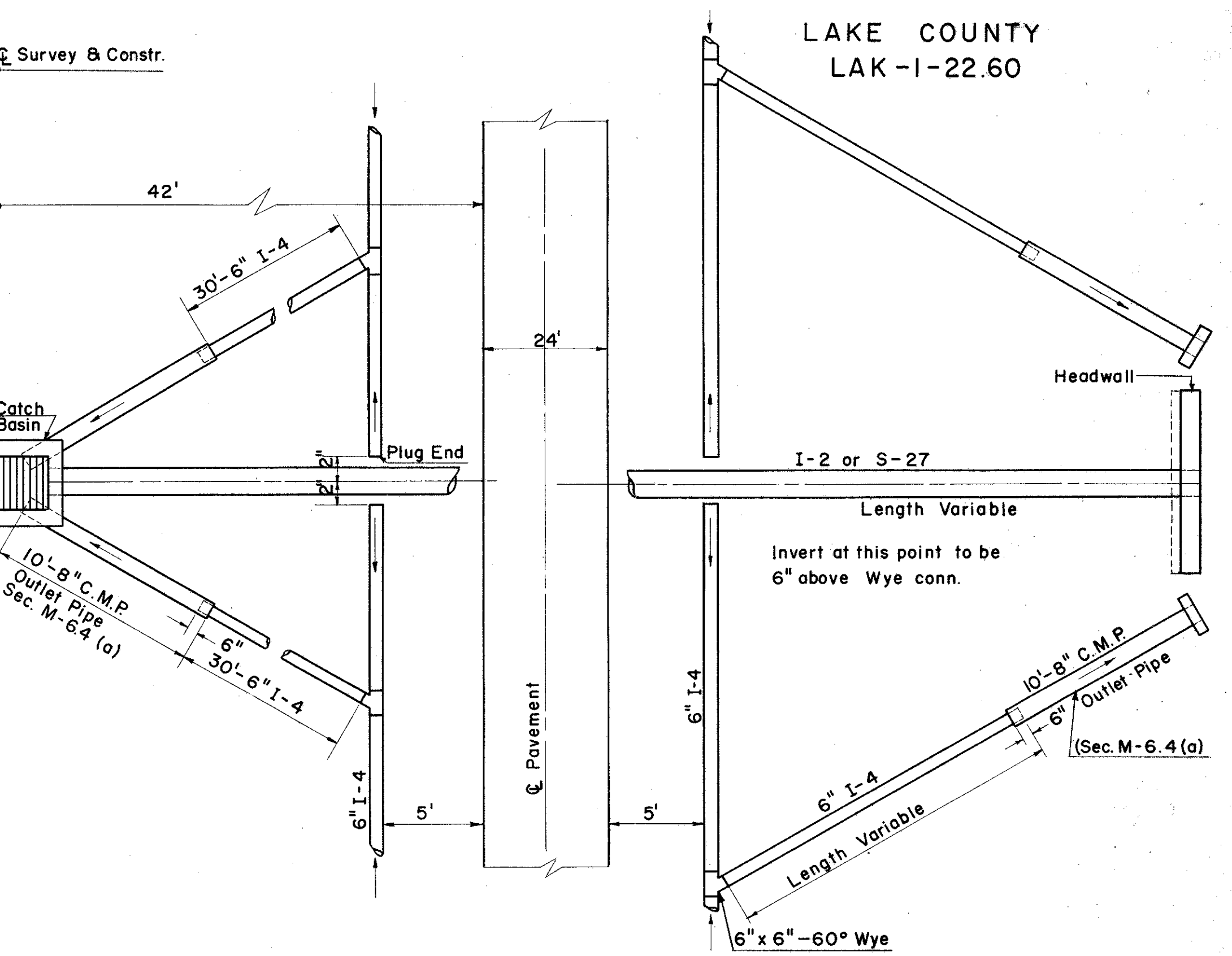
LAKE COUNTY  
LAK-I-22.60



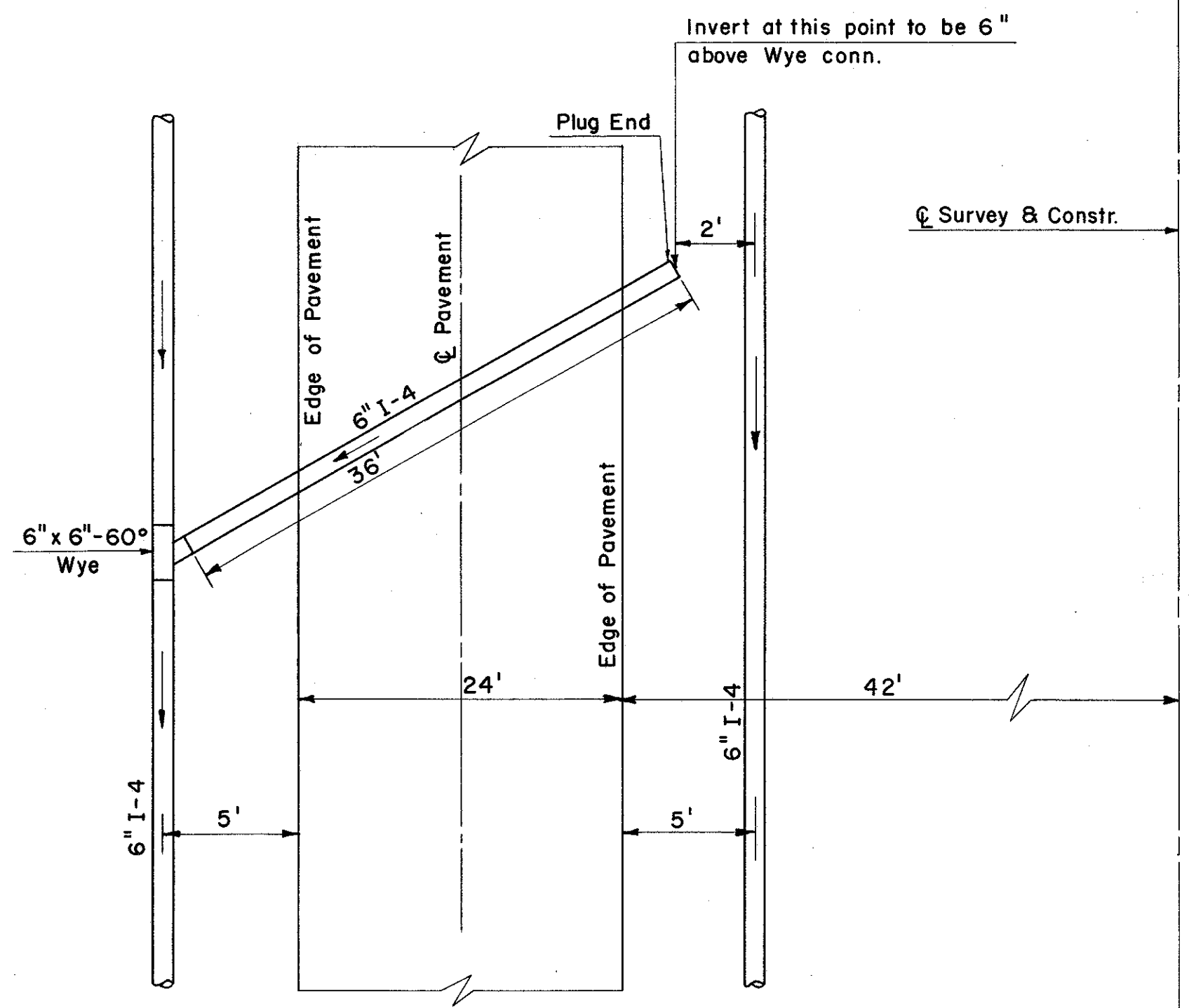
UNDERDRAIN OUTLET DETAIL A



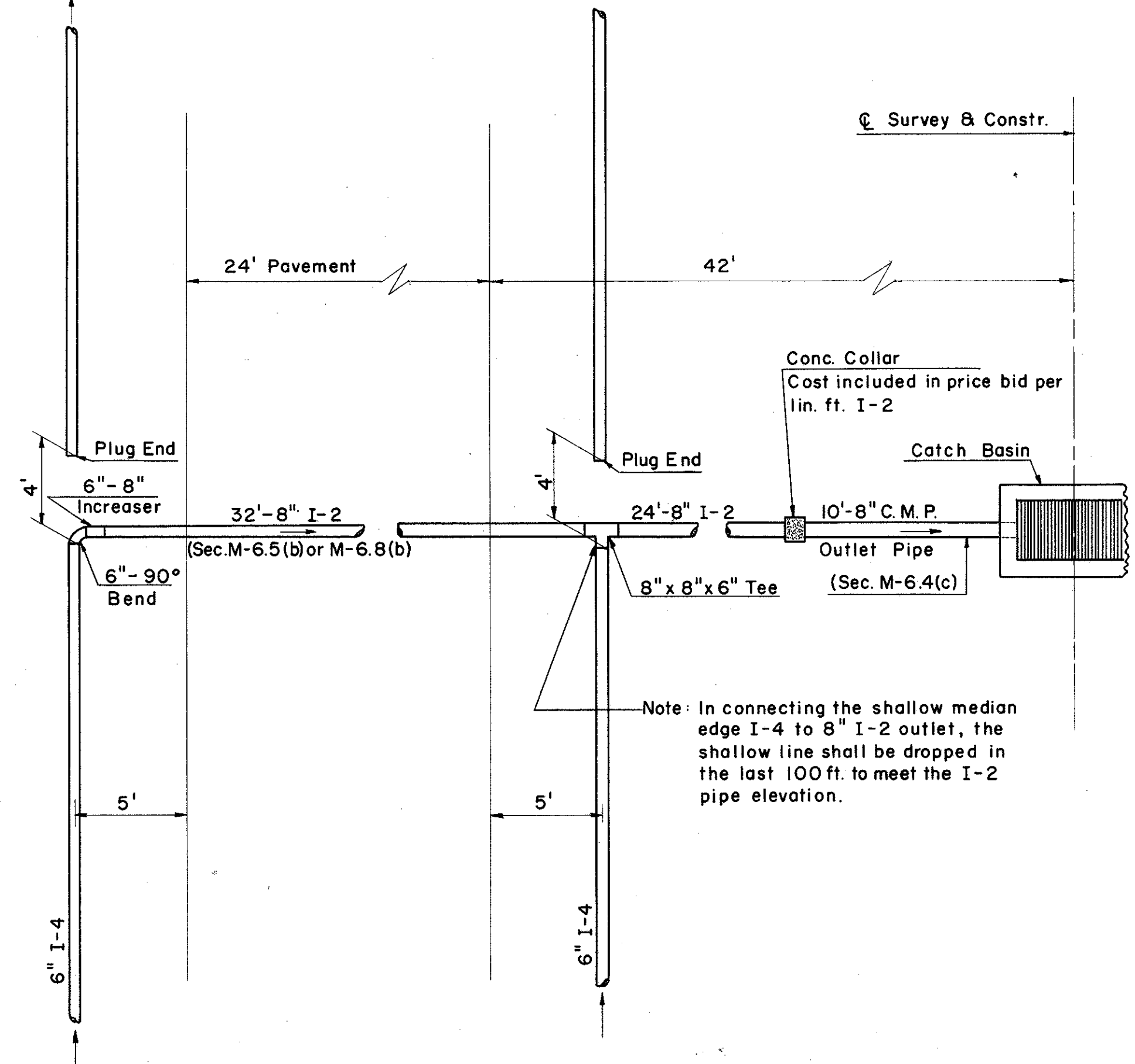
UNDERDRAIN OUTLET DETAIL B



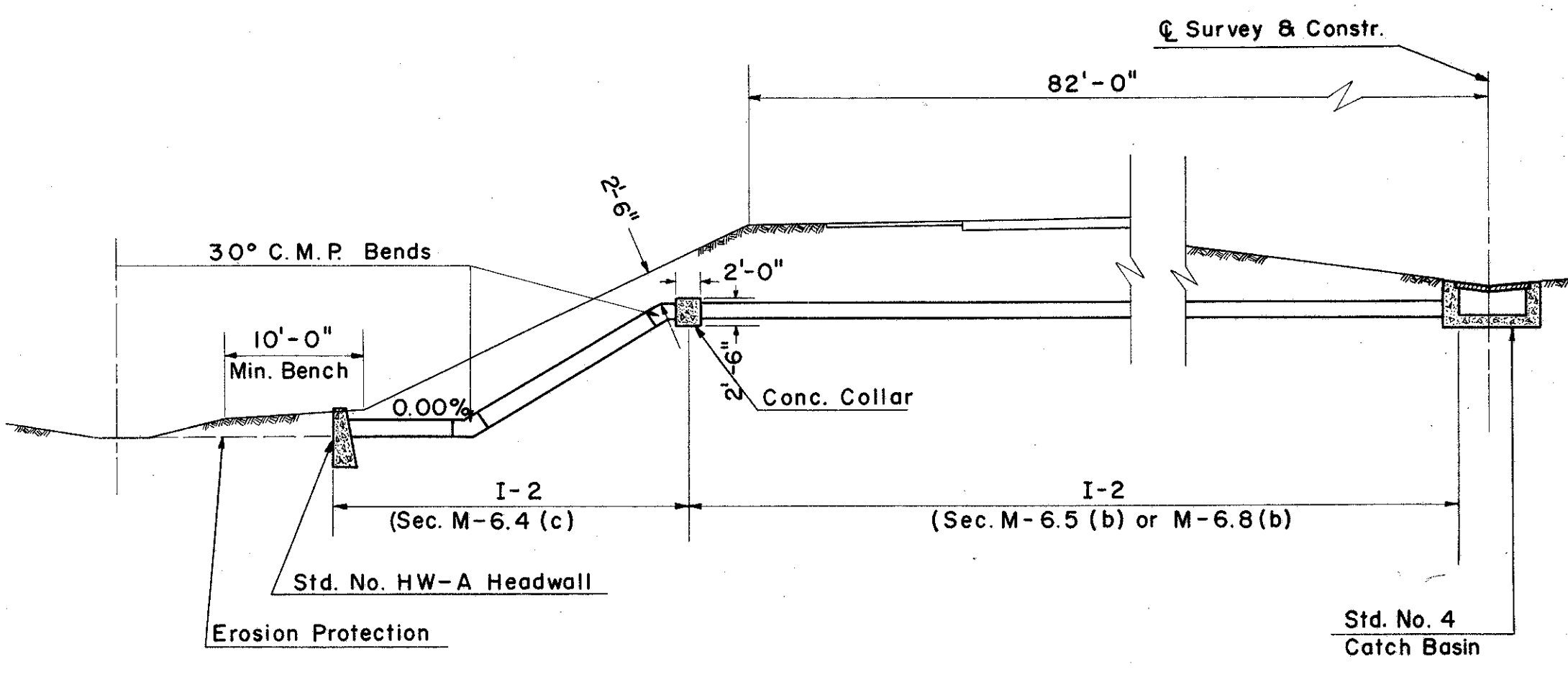
UNDERDRAIN OUTLET DETAIL C



DETAIL I-4 CROSSOVER CUT TO FILL SECTION



UNDERDRAIN OUTLET DETAIL E



MEDIAN OUTLET DETAIL IN HIGH FILL