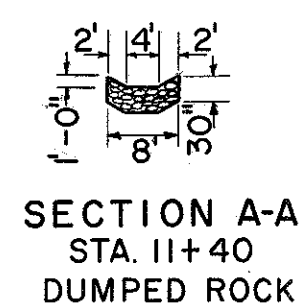


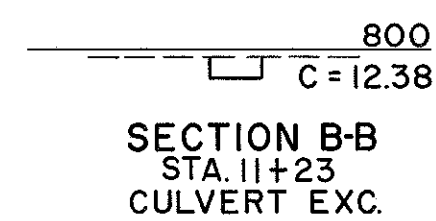
AREA = 66 ACRES
Q₅₀ = 63 C.F.S.

HEADWATER 3.85 FT.
OUTLET VELOCITY 11.0 F.P.S.

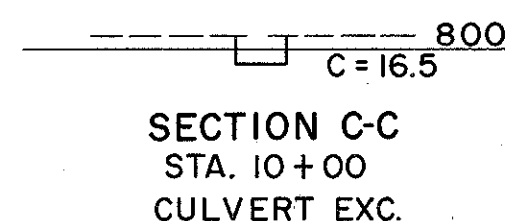
SCALE 1" = 20'



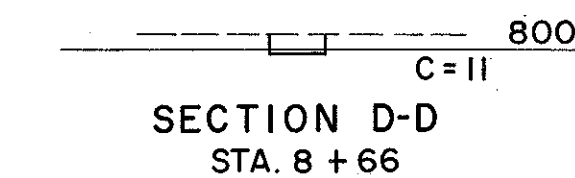
SECTION A-A
STA. 11+40
DUMPED ROCK



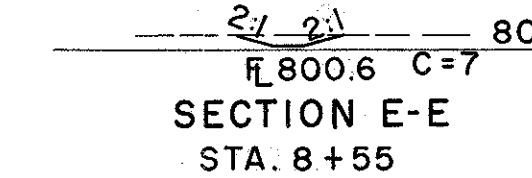
SECTION B-B
STA. 11+23
CULVERT EXC.



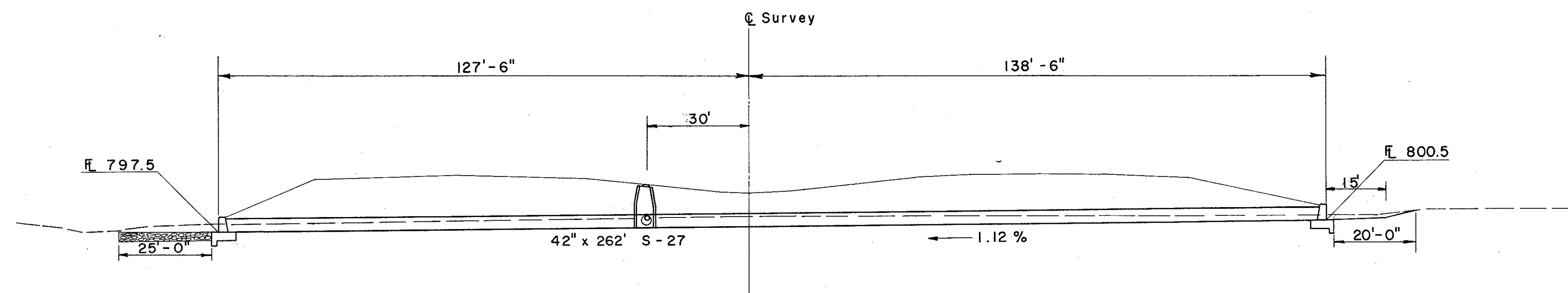
SECTION C-C
STA. 10+00
CULVERT EXC.



SECTION D-D
STA. 8+66



SECTION E-E
STA. 8+55



ESTIMATED QUANTITIES

*E-2	Excavation for Structures	185.0 C.Y.
E-3	Channel Excavation	5.0 C.Y.
S-1	Concrete for Structures Class "C"	25.4 C.Y.
S-4	Reinforcing Steel	1201 Lbs.
S-27	42" Pipe for Roadway Culverts	262 L.F.
L-10	Sodding	8 S.Y.
I-10	Dumped Rock Channel Protection	18.5 C.Y.

*Includes E-2 for Headwalls.

CULVERT DATA

TYPE: S-27, M. 6.6(b)
 SIZE: 42" x 262'
 WORK REQ'D: Build a Pipe Culvert with Type "B" Endwalls, place Dumped Rock on Left, Excavate Channel on Right, place Sodding Right and Left as Shown.

STRUCTURE NO. LAK-I-25 42