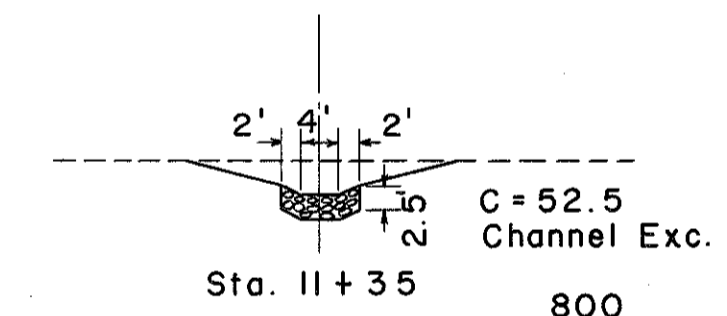


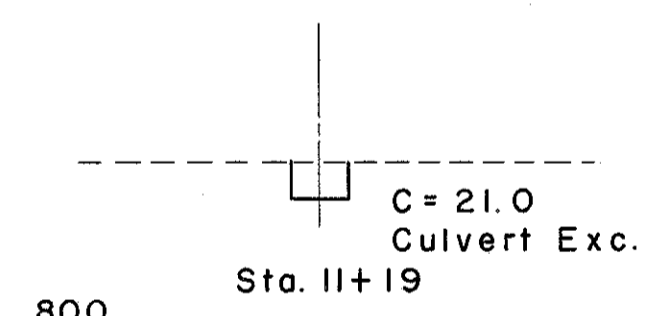
AREA 180 ACRES  
Q50 113 C.F.S.

HEADWATER 5.2  
OUTLET VELOCITY 10.17

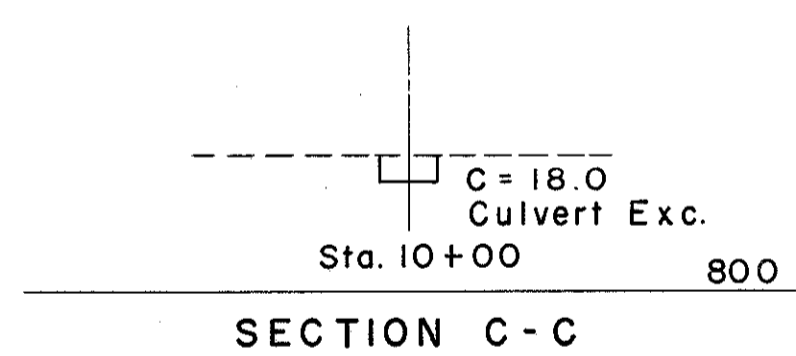
Scale 1" = 20'



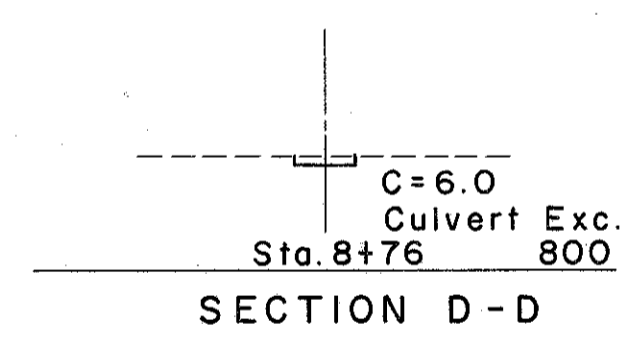
SECTION A - A



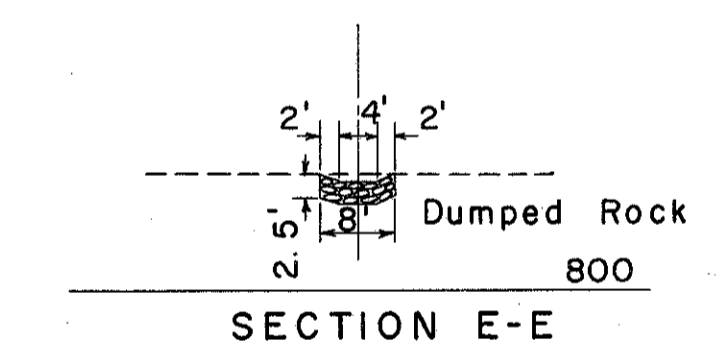
SECTION B - B



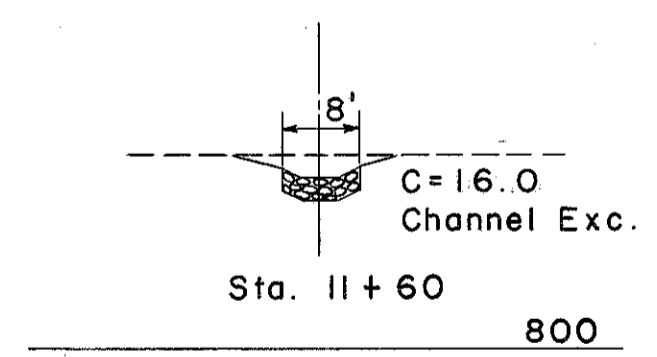
SECTION C - C



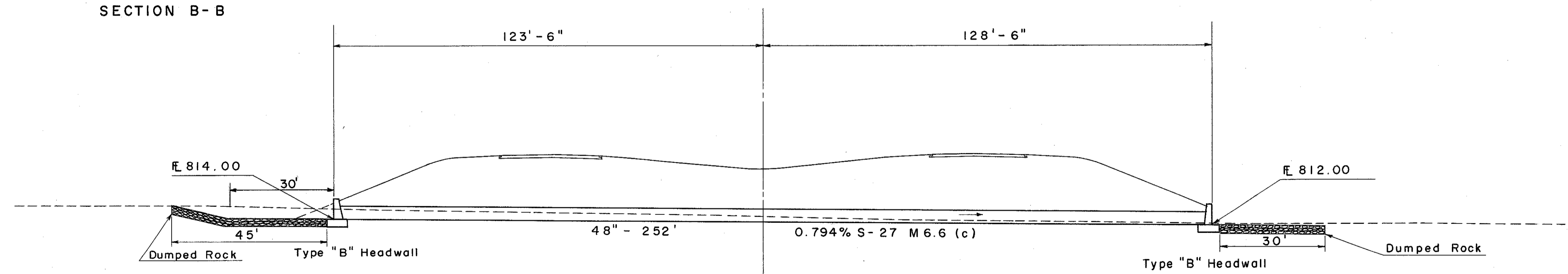
SECTION D - D



SECTION E - E



SECTION G - G



ESTIMATED QUANTITIES

* E-2	Excavation for Structures	191 Cu. Yds.
E-3	Channel Exc.	71 Cu. Yds.
L-10	Sodding	9.3 Sq. Yds.
S-1	Conc. for Structures Class "C"	29.9 Cu. Yds.
S-27	48" Pipe for Roadway Culverts	252 Lin. Ft.
S-4	Reinforcing Steel	1332 Lbs.
I-10	Dumped Rock Channel Protection	55.5 Cu. Yds.

\*Includes E-2 for Headwalls.

CULVERT DATA

TYPE: S-27 M 6.6 (c)  
 SIZE: 48" x 252'  
 WORK REQ'D: Build a pipe culvert with type B Headwalls, sodding 18" to back and ends of Headwalls.

LAK-1-24 37