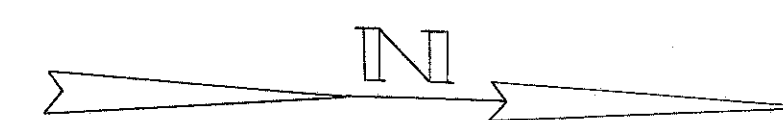


FED. RD. DIVISION	STATE	PROJECT	
2	OHIO	ACI-1103 (29)	

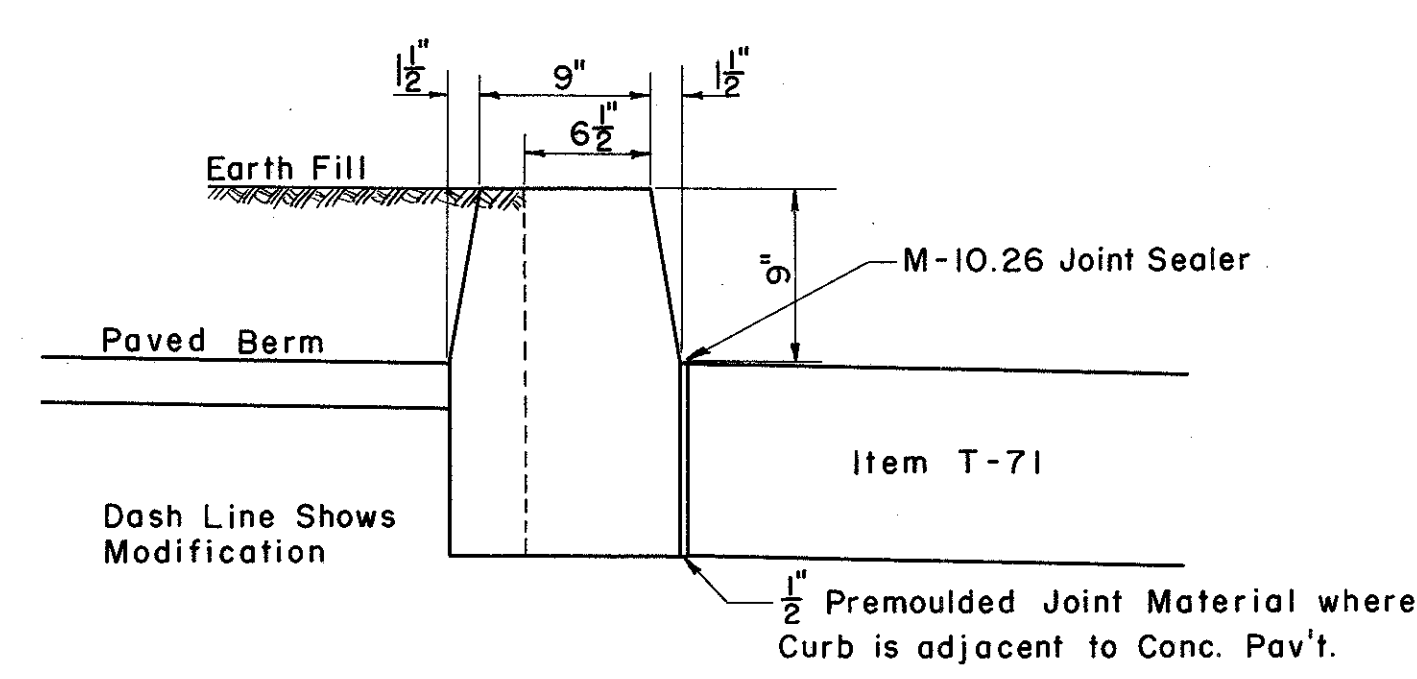
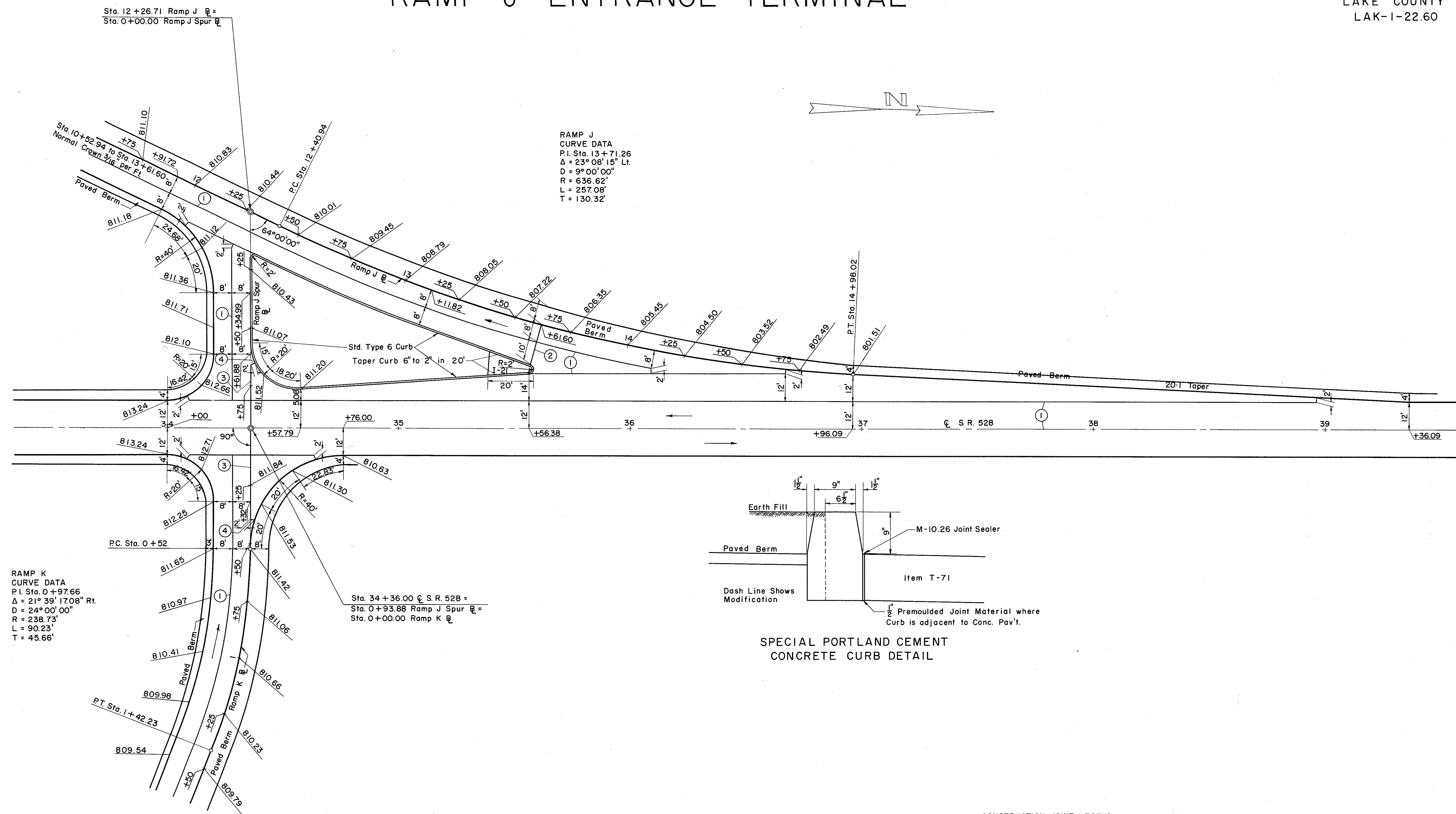
218
280

LAKE COUNTY
LAK-1-22.60

RAMP J ENTRANCE TERMINAL



RAMP J
CURVE DATA
P.I. Sta. 13+71.26
 $\Delta = 23^\circ 08' 15''$ Lt.
 $D = 9^\circ 00' 00''$
 $R = 636.62'$
 $L = 257.08'$
 $T = 130.32'$



SPECIAL PORTLAND CEMENT
CONCRETE CURB DETAIL

- CONSTRUCTION JOINT LEGEND
- ① Standard Longitudinal Joint.
 - ② Standard Expansion Joint.
 - ③ Standard Key Joint without Tie Bars.
 - ④ Expansion Joint without Dowels.

S. R. 528 INTERCHANGE
INTERSECTION DETAILS-
RAMPS J- J SPUR & K

RAMP K EXIT TERMINAL

Scale 1" = 20'-0"